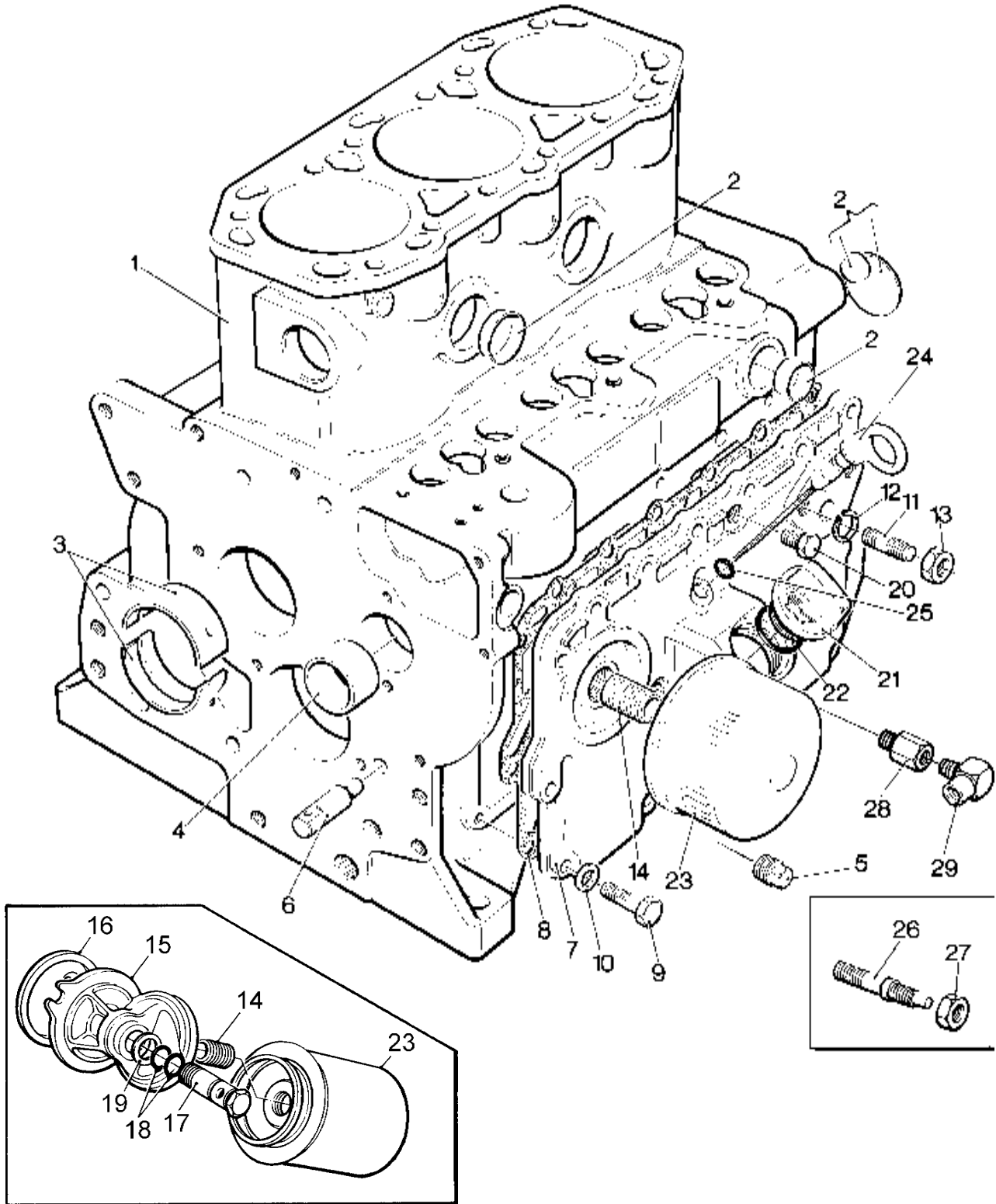


SECTION 1

THE BASE ENGINE

Crankcase

Illustration LP13



Crankcase

Illustration LP13 No. Description	Part Number	Cylinders			Remarks
		2	3	4	
- Crankcase assembly - LPW/LPWS2	750-11380	1	-	-	
- Crankcase - LPW/LPWS2	752-41000	1	-	-	Builds 40, 42
1 Crankcase assembly - LPW/LPWS3	750-11440	-	1	-	
- Crankcase - LPW/LPWS3	753-41000	-	1	-	Builds 40, 42, 48
- Crankcase assembly - LPW/LPWS4	750-11470	-	-	1	
- Crankcase - LPW/LPWS4	754-41000	-	-	1	Builds 40, 42, 48
- Crankcase - LPWT4	754-60230	-	-	1	Builds 40, 42
2 Expansion plug kit	750-11390	1	1	1	
- Bush	751-16010	1	1	1	
3 Main bearing - gear end standard	750-11240	1	1	1	See Note ¹
- Main bearing - 0.25mm undersize	750-11240/025	1	1	1	See Note ¹
- Main bearing - 0.50mm undersize	750-11240/050	1	1	1	See Note ¹
- Main bearing - 0.75mm undersize	750-11240/075	1	1	1	See Note ¹
- Main bearing - 1.00mm undersize	750-11240/100	1	1	1	See Note ¹
4 Camshaft bush - gear end	751-10950	1	1	1	
5 Plug - drain side	027-00140	1	1	1	
- Plug - 3/8" BSP	027-00469	2	2	2	
6 Governor pivot support	751-10324	2	2	2	Replaces 751-10321/2
- Crankcase door - LPW/LPWS2	750-13770	1	-	-	Builds 40, 42, 45, 47
7 Crankcase door - LPW/LPWS3	750-13750	-	1	-	Replaces 753-10372; see Note ²
- Crankcase door - LPW/LPWS4	750-13761	-	-	1	Replaces 754-10372; see Notes ^{2,3}
- Crankcase door - LPWT4	750-41493	-	-	1	Replaces 750-41491; see Note ³
- Fuel lift pump push rod bush	751-17300	1	1	1	See Note ²
- Crankcase door joint - LPW/LPWS2	752-10802	1	-	-	
8 Crankcase door joint - LPW/LPWS3	753-10802	-	1	-	
- Crankcase door joint - LPW/LPWS4, LPWT4	754-10804	-	-	1	Replaces 754-10802, see Note ³
9 Flanged headed screw - M6 x 25mm	272-00800	9	12	16	Replaces 272-00256 and 272-00364
- Screw - M8 x 10mm	272-00239	2	2	2	
10 Washer	272-00364	11	15	20	Deleted; see Item 9
11 Stud - M8 x 35mm	272-00306	2	2	2	Replaces 272-00054 and 272-00108
12 Spring washer	272-00071	2	2	2	
13 Nut - M8	272-00680	2	2	2	
14 Oil filter adaptor		1	1	1	See 'Oil Filters' section
20 Plug	366-07041	1	1	1	
21 Oil filler cap	751-12670	1	1	1	
22 'O' ring	751-12680	1	1	1	
23 Oil filter		1	1	1	See 'Oil Filters' section
24 Oil dipstick		1	1	1	See 'Oil Dipstick' sections
25 'O' ring	201-13120	1	1	1	
- Dipstick tube		1	1	1	See 'Oil Dipstick' section
- Extended oil dipstick		1	1	1	See Accessory Code MLB
26 Stud	751-14730	2	3	4	
27 Flanged nut - M6	272-00802	2	3	4	Replaces 272-00002
28 Adaptor	757-17650	1	1	1	Builds 40, 42, 45, 47
29 Angled adaptor	757-60480	1	1	1	Builds 40, 42, 45, 47

Notes:

1. For other reference to the main bearing see 'Crankshaft' section.
2. Fuel lift pump push rod bushes were first fitted to crankcase doors 750-13740, 750-13750 and 750-13760 from:

4200326LPW2	4200617LPW3	4200600LPW4
4200123LPWS2	4200253LPWS3	4200435LPWS4
3. The latest crankcase door has an extra hole to reduce oil leakage; for spares of old doors the following part numbers are used:
LPW4 - 750-13760 use 750-43700
LPWT4 - 750-41491 use 750-43710
750-43510 use 750-43720

Crankcase doors are not interchangeable.

If new crankcase door screws are being fitted to old crankcases it is important to fit the old washer under the screw head to avoid the possibility of the screw bottoming.

Oil Pump and Strainer

Illustration LP2 No. Description	Part Number	Cylinders			Remarks
		2	3	4	
1 Oil pump and gear assembly	750-12020	1	1	1	See Note
2 Oil relief valve	751-12012	1	1	1	
- Oil pump - LPWT4	750-43190	-	-	1	
- Oil relief valve - LPWT4	754-43950	-	-	1	
3 Setscrew - M6 x 25mm	272-00256	2	2	2	Replaces 272-00117
4 Washer	272-00364	2	2	2	
5 Oil strainer	753-10615	1	1	-	Replaces 753-10614
- Oil strainer	754-10615	-	-	1	Replaces 754-10614
- Oil strainer - LPWT4	754-44060	-	-	1	
- 'O' ring - LPWT4	754-44130	-	-	2	
6 Distance piece	751-15820	1	1	1	Used with strainer 753-10615
7 Washer	272-00715	1	1	1	Used with strainer 753-10615
8 Bolt	272-00191	1	1	1	Replaces 272-00719, used with strainer 753-10615
9 Locknut - M6	272-00024	1	1	1	Used with strainer 753-10615

Note:

Replaces 750-11360 from

- | | | |
|--------------|--------------|--------------|
| 4100324LPW2 | 4200001LPW3 | 4100570LPW4 |
| 4200014LPWS2 | 4200041LPWS3 | 4200085LPWS4 |

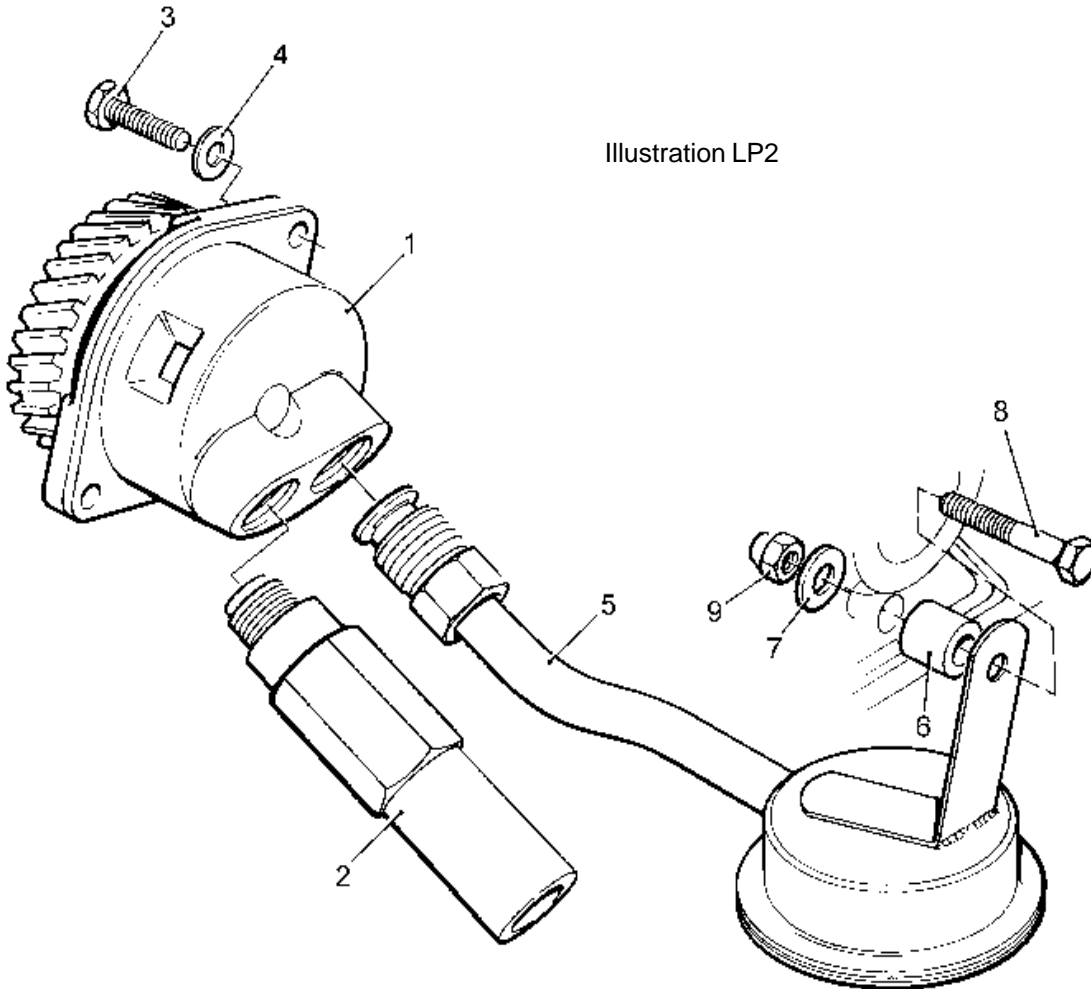


Illustration LP2

Oil Filters

Engine and Builds	Filter Part Number	Adaptor Part Number	Size (mm) Height x Diameter
LPW2 41, 42, 46, 47	751-12870	751-10790	58 x 78.5
LPWS2 42, 44, 45, 47			
LPW3 40, 41, 42, 44, 46, 47, 41	751-10620	751-10790	58 x 96
LPWS3 41, 42, 47, 79			
LPW4 40, 41, 42, 44, 46, 47, 48			
LPWS4 42, 44, 46, 47, 49	328-21600	751-15751	95 x 100
LPWT4 41, 42, 46, 48			

Oil Cooler - LPW, LPWS

Early type

Not interchangeable with the later type

Not Illustrated

Description	Part Number	Cylinders			Remarks
		2	3	4	
Oil cooler	754-43310	1	1	1	
Hose	754-43482	2	2	2	
Adaptor	754-43320	1	1	1	
Sealing ring	394-13730	2	2	2	
Oil filter	751-12870	1	-	-	
Oil filter	751-10620	-	1	1	
Filter gasket	751-14000	1	1	1	
Oil filter bracket	751-15490	1	1	1	
Copper washer - 3/4" diameter	027-04661	1	1	1	
Hose clip	027-04687	4	4	4	
Adaptor	362-03048	2	2	2	

Oil Cooler - LPW, LPWS

Later type

Not interchangeable with the early type

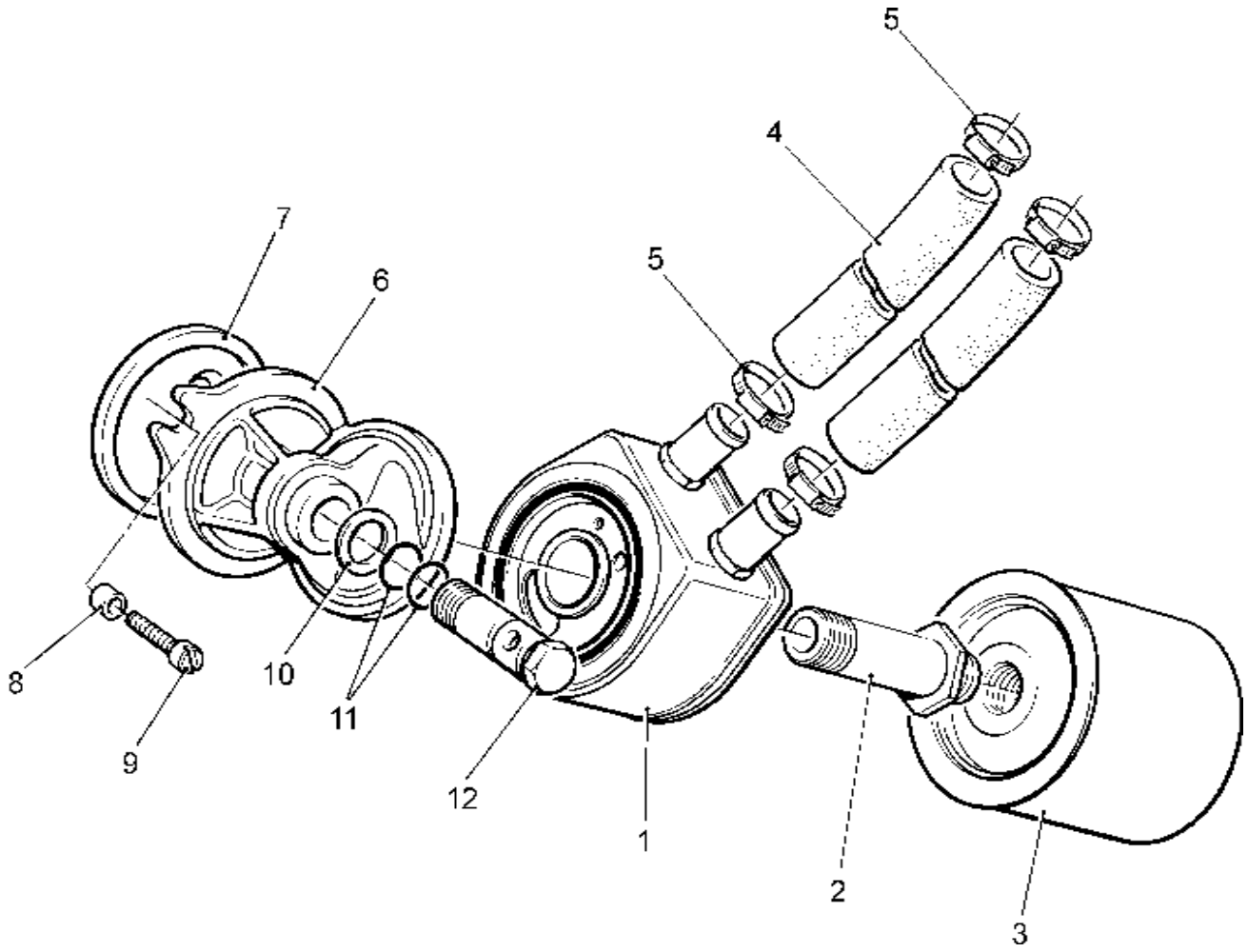
Also available as an Accessory Kit

Not Illustrated

Description	Part Number	Cylinders			Remarks
		2	3	4	
Accessory Kit Code LG - LPW/LPWS2	750-43641	1	-	-	
Accessory Kit Code LG - LPW/LPWS3,4	750-43651	-	1	1	
Oil cooler	754-43311	1	1	1	
Hose	754-46080	2	2	2	
Adaptor	754-46090	1	1	1	
Sealing ring.....	394-13730	2	2	2	
Oil filter	751-12870	1	-	-	
Oil filter	751-10620	-	1	1	
Filter gasket	751-14000	1	1	1	
Oil filter bracket - LPW/LPWS2	751-15492	1	-	-	
Oil filter bracket - LPW/LPWS3, 4	751-15490	1	1	1	
Copper washer - ³ / ₄ " diameter	027-04661	1	1	1	
Hose clip	027-04686	4	4	4	
Adaptor	362-03048	2	2	2	

Oil Cooler - LPWT4

Illustration LP173



Oil Cooler - LPWT4

Early type

Not interchangeable with the later type

Illustration LP173

No.	Description	Part Number	LPWT4	Remarks
1	Oil cooler	754-43310	1	
-	Gasket	754-44580	1	
2	Adaptor	751-18531	1	
3	Oil filter	328-21600	1	
4	Hose	754-43482	2	
5	Hose clip	027-04687	4	
6			Not fitted on Marine Builds
7			Not fitted on Marine Builds
8			Not fitted on Marine Builds
9			Not fitted on Marine Builds
10			Not fitted on Marine Builds
11			Not fitted on Marine Builds
12			Not fitted on Marine Builds

Oil Cooler - LPWT4

Later type

Not interchangeable with the early type

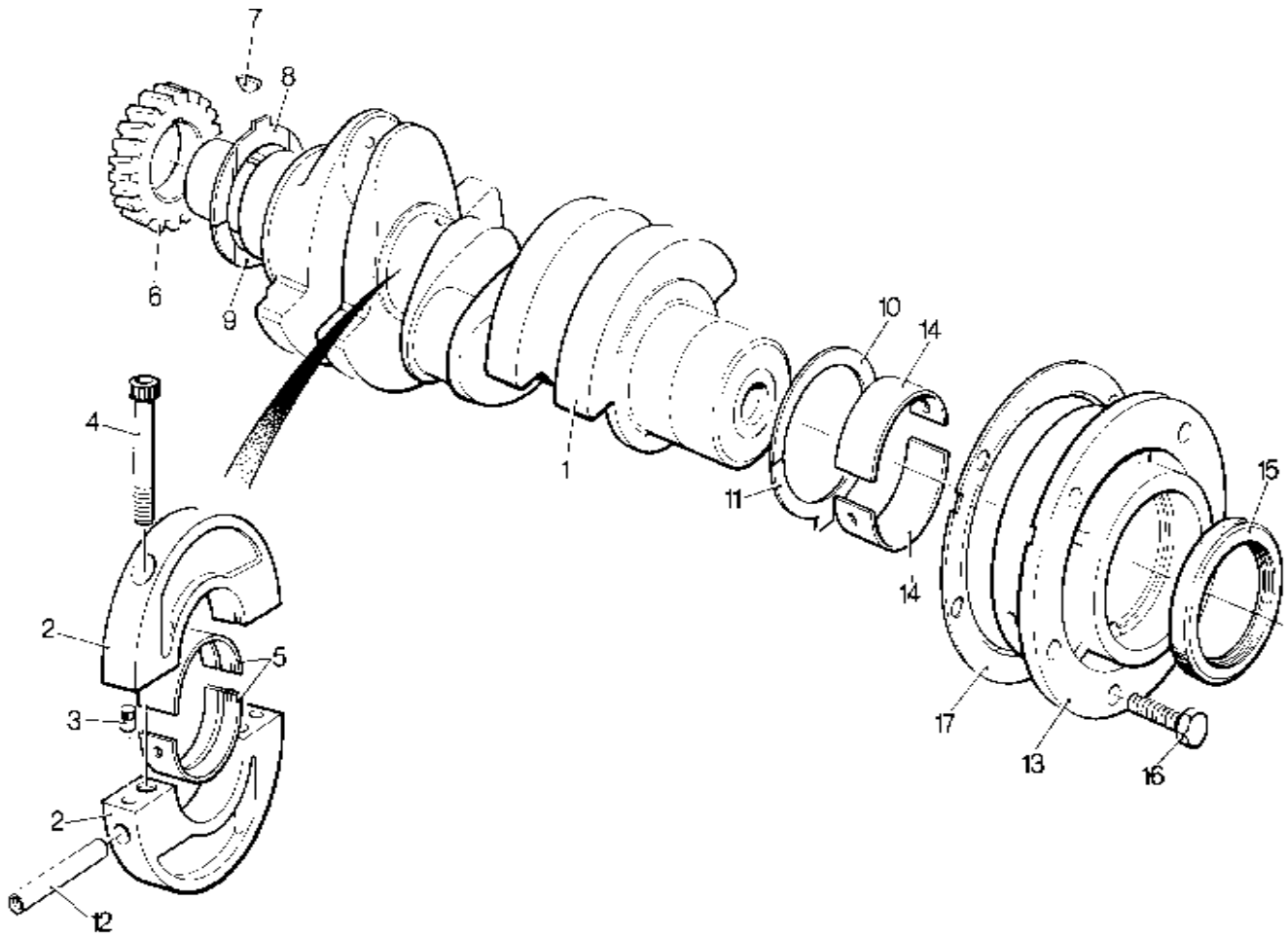
Also available as an Accessory Kit

Illustration LP173

No.	Description	Part Number	LPWT4	Remarks
	Accessory Kit Code LG	750-43551		
1	Oil cooler	754-43311	1	
-	Gasket	754-44580	1	
2	Adaptor	751-18531	1	
3	Oil filter	328-21600	1	
4	Hose	754-46080	2	
5	Hose clip	027-04686	4	
6			Not fitted on Marine Builds
7			Not fitted on Marine Builds
8			Not fitted on Marine Builds
9			Not fitted on Marine Builds
10			Not fitted on Marine Builds
11			Not fitted on Marine Builds
12			Not fitted on Marine Builds

Crankshaft

Illustration LP11



Crankshaft

Illustration LP11 No. Description	Part Number	Cylinders			Remarks
		2	3	4	
- Crankshaft kit - LPW/LPWS2	750-11221	1	-	-	See Note
1 Crankshaft kit - LPW/LPWS3	750-11421	-	1	-	See Note
- Crankshaft kit - LPW/LPWS4	750-11461	-	-	1	See Note
- Crankshaft - LPWT4	754-42750	-	-	1	
2 Centre bearing housing assembly	751-10482	1	2	3	
3 Dowel	010-02110	2	4	6	Replaces 201-25770 and 751-18290
4 Capscrew - M8 x 50mm	272-00261	2	4	6	
5 Centre bearing - standard	750-11250	1	2	3	
- Centre bearing - 0.25mm undersize	750-11250/025	1	2	3	
- Centre bearing - 0.50mm undersize	750-11250/050	1	2	3	
- Centre bearing - 0.75mm undersize	750-11250/075	1	2	3	
- Centre bearing - 1.00mm undersize	750-11250/100	1	2	3	
- Gear end main bearing	750-11240	1	1	1	See 'Crankcase' section
6 Crankshaft pinion	751-10121	1	1	1	
- Crankshaft pinion - LPWT4	751-10121	-	-	1	Replaces 751-42950
7 Key	027-00107	1	1	1	
- Thrust washer kit	750-11230	1	1	1	Comprises No's 8-11
8 Gear end - top half		1	1	1	
9 Gear end - bottom half		1	1	1	
10 Flywheel end - top half		1	1	1	
11 Flywheel end - bottom half		1	1	1	
12 Locating tube	751-10490	1	2	3	
13 Main bearing housing	751-10072	1	1	1	Replaces 751-10071
14 Main bearing - flywheel end standard	750-11210	1	1	1	
- Main bearing - 0.25mm undersize	750-11210/025	1	1	1	
- Main bearing - 0.50mm undersize	750-11210/050	1	1	1	
- Main bearing - 0.75mm undersize	750-11210/075	1	1	1	
- Main bearing - 1.00mm undersize	750-11210/100	1	1	1	
15 Oil seal	751-10430	1	1	1	
16 Setscrew - M8 x 20mm	272-00039	5	5	5	
17 Shim - 0.38mm	751-11930				Use as required
- Shim - 0.50mm	751-11932				Use as required

Note:

Includes items 5, 8, 9, 10, 11, 14, gear end main bearing (750-11240) and big end bearing (750-11260).

Piston and Connecting Rod

Illustrations LP165 and LP166

Illustration LP166

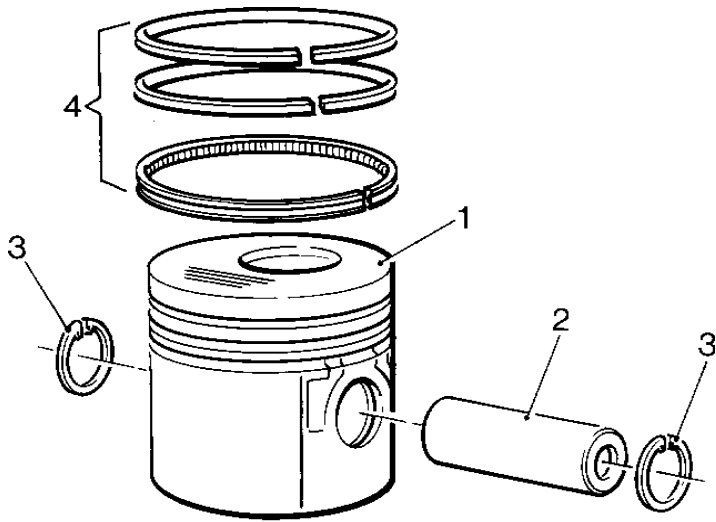
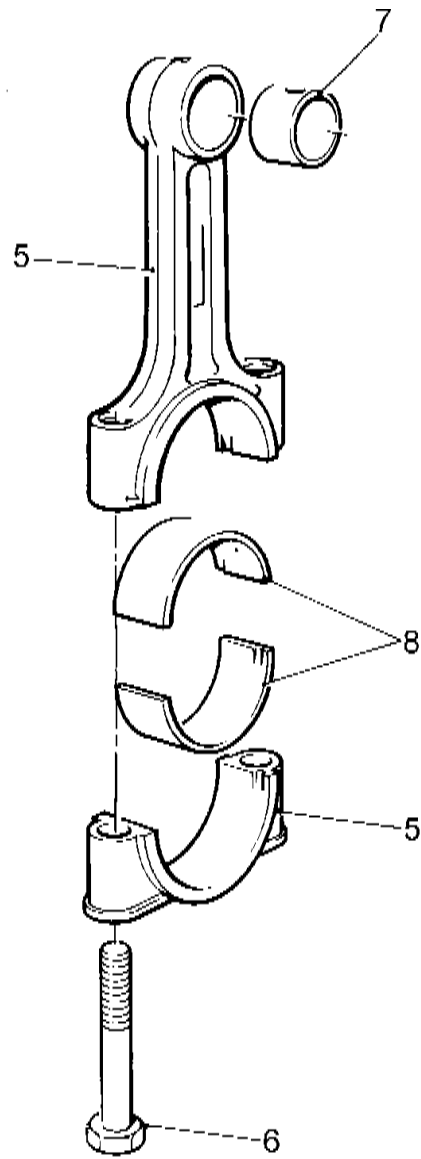


Illustration LP165



Piston and Connecting Rod

Piston - Illustration LP166

Connecting Rod - Illustration LP165

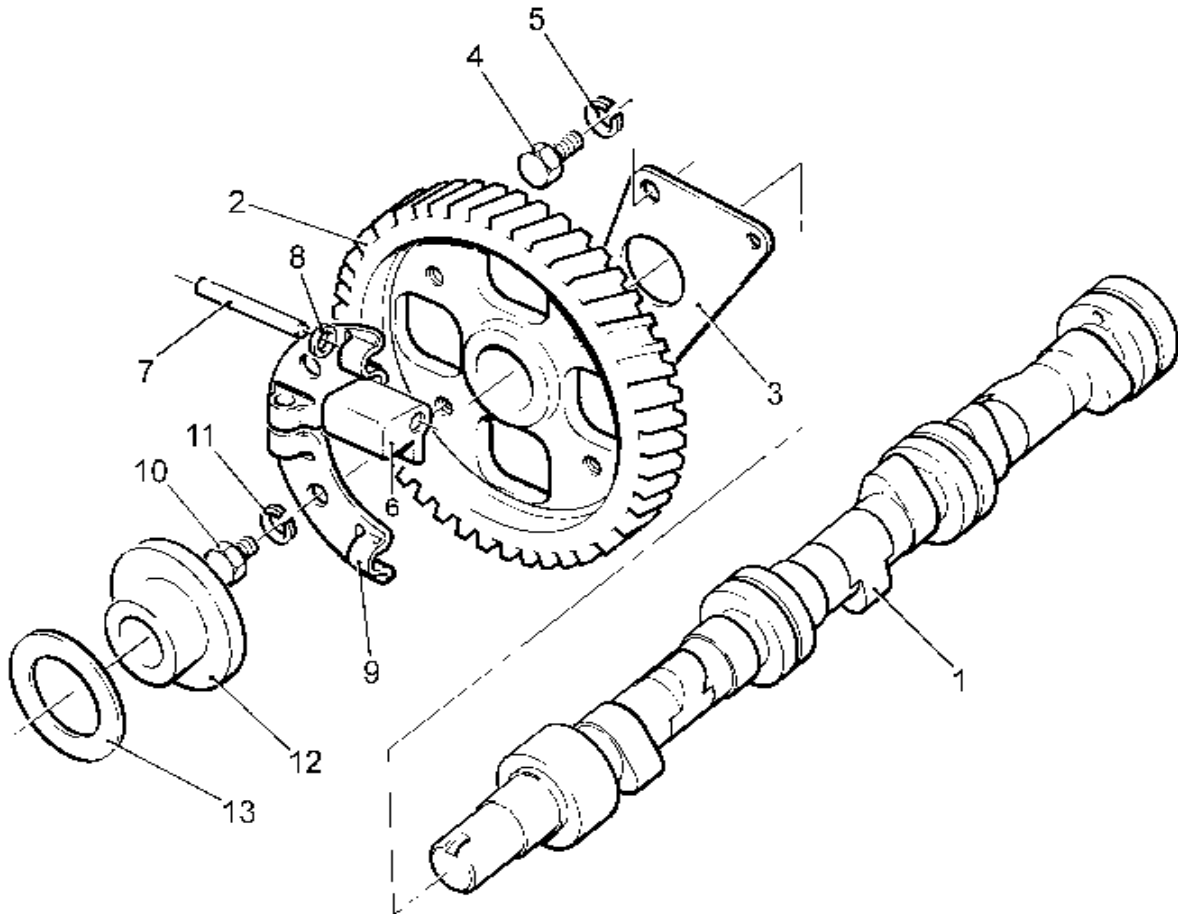
No.	Description	Part Number	Cylinders			Remarks
			2	3	4	
-	Piston assembly - LPW - standard	750-40005	2	3	4	Up to 4100323LPW2 4109999LPW3 4100569LPW4
-	Piston assembly - LPW - 0.25mm oversize	750-40005/025	2	3	4	
-	Piston assembly - LPW - 0.50mm oversize	750-40005/050	2	3	4	
-	Piston assembly - LPW - standard	750-40006	2	3	4	From 4100324LPW2 4200001LPW3 4100570LPW4
-	Piston assembly - LPW - 0.25mm oversize	750-40006/025	2	3	4	
-	Piston assembly - LPW - 0.50mm oversize	750-40006/050	2	3	4	
-	Piston assembly - LPW - standard	750-41610	2	3	4	Replaces 750-40006 from 4400109LPW2 4400092LPW3 4400138LPW4
-	Piston assembly - LPW - 0.25mm oversize	750-41610/025	2	3	4	
-	Piston assembly - LPW - 0.50mm oversize	750-41610/050	2	3	4	
-	Piston Assembly - LPWS - standard	750-40092	2	3	4	Up to 4200013LPWS2 4200040LPWS3 4200084LPWS4
-	Piston assembly - LPWS - 0.25mm oversize	750-40092/025	2	3	4	
-	Piston assembly - LPWS - 0.50mm oversize	750-40092/050	2	3	4	
-	Piston Assembly - LPWS - standard	750-40093	2	3	4	From 4200014LPWS2 4200041LPWS3 4200085LPWS4
-	Piston assembly - LPWS - 0.25mm oversize	750-40093/025	2	3	4	
-	Piston assembly - LPWS - 0.50mm oversize	750-40093/050	2	3	4	
-	Piston assembly - LPWT4 - standard	750-42230	-	-	4	
-	Piston assembly - LPWT4 - 0.25mm oversize ..	750-42230/025	-	-	4	
-	Piston assembly - LPWT4 - 0.50mm oversize ..	750-42230/050	-	-	4	
1	Piston		2	3	4	
2	Gudgeon pin		2	3	4	
3	Circlip	751-12450	4	6	8	
-	Piston ring set - standard	750-11401	2	3	4	Up to 4100323LPW2 4109999LPW3 4100569LPW4 4200013LPWS2 4200040LPWS3 4200084LPWS4
-	Piston ring set - 0.25mm oversize	750-11401/025	2	3	4	
-	Piston ring set - 0.50mm oversize	750-11401/050	2	3	4	
4	Piston ring set - standard	750-13120	2	3	4	From 4100324LPW2 4200001LPW3 4100570LPW4 4200014LPWS2 4200041LPWS3 4200085LPWS4 and LPWT4
-	Piston ring set - 0.25mm oversize	750-13120/025	2	3	4	
-	Piston ring set - 0.50mm oversize	750-13120/050	2	3	4	
-	Connecting rod assembly	750-10152	2	3	4	Replaces 750-10150
-	Connecting rod assembly - LPWT4	750-42410	-	-	4	
5	Connecting rod		2	3	4	
6	Bolt	751-10232	4	6	8	
7	Small end bush	751-10150	2	3	-	
8	Big end bearing - standard	750-11260	2	3	4	
-	Big end bearing - 0.25mm undersize	750-11260/025	2	3	4	
-	Big end bearing - 0.50mm undersize	750-11260/050	2	3	4	
-	Big end bearing - 0.75mm undersize	750-11260/075	2	3	4	
-	Big end bearing - 1.00mm undersize	750-11260/100	2	3	4	

Note:

Pistons are supplied complete with rings, gudgeon pin and circlips. Mono-metal and the later expansion controlled piston assemblies must not be mixed on an engine.

Camshaft

Illustration LP3



Camshaft

Illustration LP3 No.	Description	Part Number	Cylinders			Remarks
			2	3	4	
-	Camshaft assembly - LPW/LPWS2	750-63631	1	-	-	Builds 40, 42, 44, 45, 46 Replaces 750-12221/3
1	Camshaft assembly - LPW/LPWS3	750-63201	-	1	-	Builds 40, 41, 42, 43, 44, 45, 46 Replaces 750-12231/3
-	Camshaft assembly - LPW/LPWS4	750-63211	-	-	1	Builds 40, 41, 42, 43, 44, 45, 46 Replaces 750-12241/3
-	Camshaft assembly - LPWT4	750-63410	-	-	1	Builds 40, 41, 42, 43, 44, 46
2	Gearwheel		1	1	1	
3	Thrust plate		1	1	1	
4	Setscrew - M6 x 12mm	272-00032	2	2	2	
-	Oil jet screw	751-15100	2	2	2	Builds 41, 43
5	Spring washer	272-00070	2	2	2	
6	Governor weight					See 'Governor Weights' section
7	Pin	601-21131	4	4	4	
8	Washer	751-13181	8	8	8	
9	Retaining plate	751-13971	4	4	4	Replaces 751-10270
10	Setscrew - M6 x 12mm	272-00032	4	4	4	Replaces 272-00106
11	Spring washer	272-00070	4	4	4	
12	Governor sleeve	751-10288	1	1	1	See Note ¹
-	Governor sleeve	751-15441	1	1	1	See Note ²
13	Thrust washer	751-13130	1	1	1	

Notes:

- 1. Not used on Builds 43, 44
- 2. Only used on Builds 43, 44

Governor Weights and Speeder Springs - LPW, LPWT

LPW~~4~~LPW3

Build	Part Number of Weight	Number of Weights	Part of
40 , 42, 46, 48	751-11093	2	75
41 , 46, 48	751-12088	4	75
44	751-15460	4	75
47	751-12980	2	75

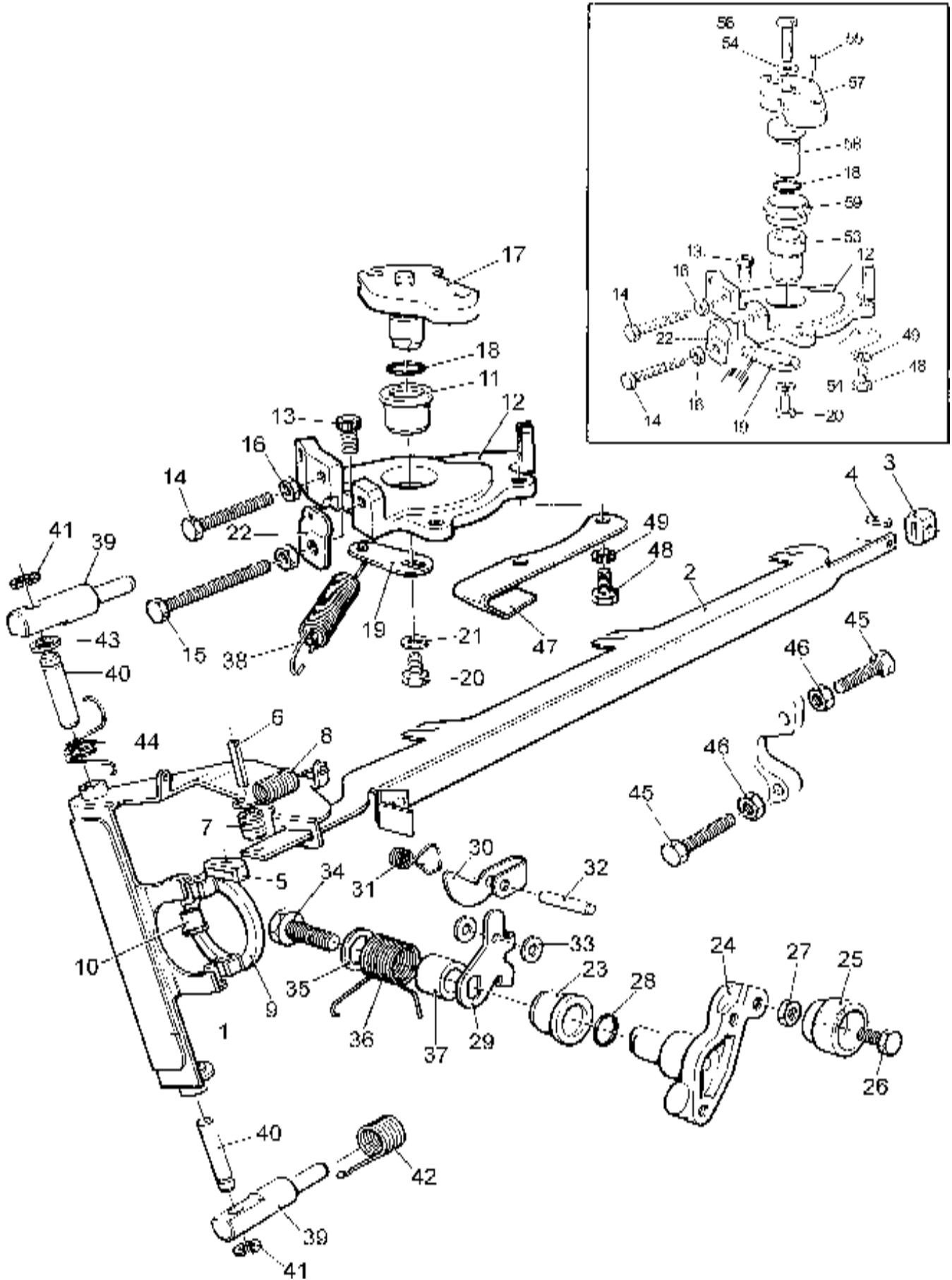
Governor Weights and Speeder Springs - LPWS

LPWS~~2~~, LPWS3

Build	Part Number of Weight	Number of Weights	Par of
42 , 46	751-12990	2	75
42 , 48,	751-15090	2	75
47	751-12980	2	75
49 , 47	751-12980	2	75

Governor Linkage and Controls

Illustration LP6



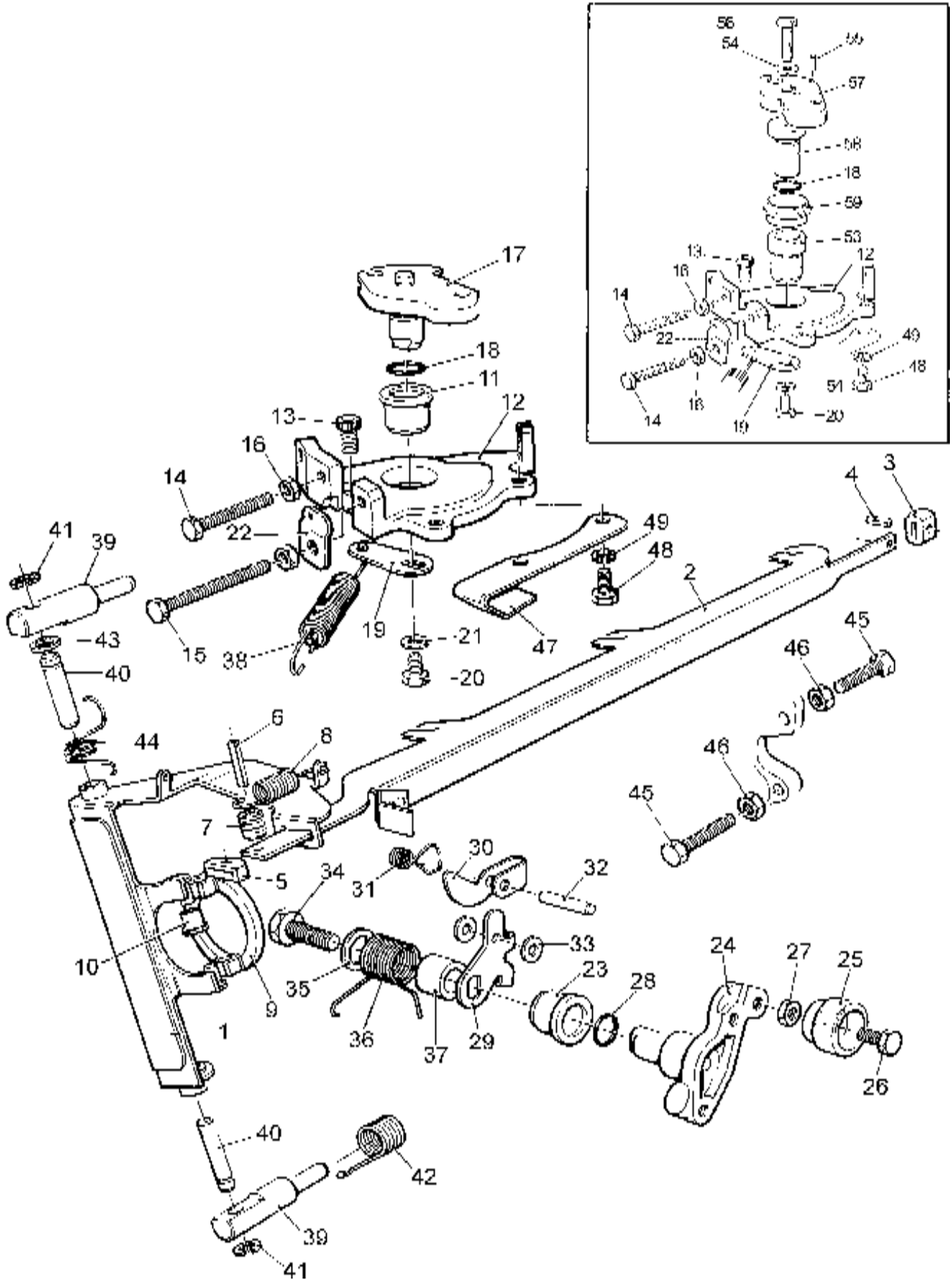
Governor Linkage and Controls

Illustration LP6 No. Description	Part Number	Cylinders			Remarks
		2	3	4	
- Governor lever assembly - LPW/LPWS2	750-10182	1	-	-	See Note ¹ . Replaces 750-10180/1
- Governor lever assembly - LPW/LPWS2	750-12710	1	-	-	See Note ²
1 Governor lever assembly - LPW/LPWS3	750-10212	-	1	-	See Note ¹ . Replaces 750-10210
- Governor lever assembly - LPW/LPWS3	750-10213	-	1	-	See Note ²
- Governor lever assembly - LPW/LPWS/LPWT4	750-10662	-	-	1	See Note ¹
- Governor lever assembly - LPW/LPWS4	750-10663	-	-	1	See Note ²
- Fuel pump rack - LPW/LPWS2		1	-	-	
2 Fuel pump rack - LPW/LPWS3		-	1	-	
- Fuel pump rack - LPW/LPWS/LPWT4		-	-	1	
3 Bearing		1	1	1	
4 Spring pin		1	1	1	
5 Toe		1	1	1	
6 Spring pin		1	1	1	
7 Bush - rack to governor lever spring		1	1	1	
8 Spring - rack to governor lever	751-10330	1	1	1	
9 Thrust collar	751-12823	1	1	1	See Note ¹
- Thrust collar	751-15430	1	1	1	See Note ²
10 Bush speed control kit	750-11371	1	1	1	Fixed speed builds only.
11 Bush	751-11322	1	1	1	Fixed speed builds only.
12 Baseplate	751-15043	1	1	1	
13 Capscrew - M6 x 12mm	272-00167	1	1	1	
14 Speed setting setscrew - M5 x 35mm	272-00654	1	1	1	Replaces 272-00718. Variable speed builds use 2 off.
15 Speed setting setscrew - M5 x 50mm	272-00655	1	1	1	Replaces 272-00717. Fixed speed builds only.
16 Nut	272-00611	2	2	2	
17 Speed control quadrant	751-13054	1	1	1	Fixed speed builds only.
18 'O' Ring	751-10590	1	1	1	
19 Lever - speeder spring		1	1	1	
20 Setscrew - M5 x 12mm	272-00440	1	1	1	
21 Washer	272-00687	1	1	1	Replaces 272-00610. Fixed speed builds only.
22 Spring anchor plate	751-15140	1	1	1	Variable speed builds only.
- Fuel pump lever kit	750-11430	1	1	1	
23 Bush	751-11322	1	1	1	
24 External stop/run lever		1	1	1	
25 Knob - stop/run lever	751-12971	1	1	1	
26 Setscrew		1	1	1	
27 Locknut		1	1	1	
28 'O' ring	751-10590	1	1	1	
29 Stop/run lever		1	1	1	
30 Trip lever		1	1	1	
31 Spring	751-11280	1	1	1	
32 Pin		1	1	1	
33 Washer		2	2	2	
34 Setscrew		1	1	1	
35 Washer		1	1	1	
36 Spring	751-15060	1	1	1	Replaces 751-10312
37 Pivot	751-15070	1	1	1	
38 Speeder spring		1	1	1	See 'Governor Weights and Speeder Springs' section

Continued.....

Governor Linkage and Controls

Illustration LP6



Governor Linkage and Controls

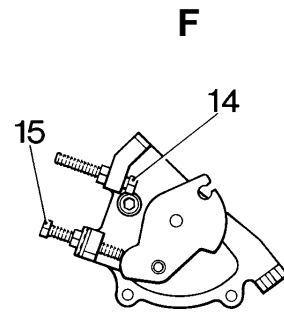
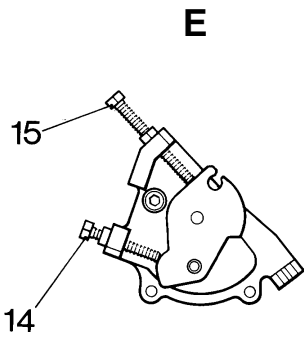
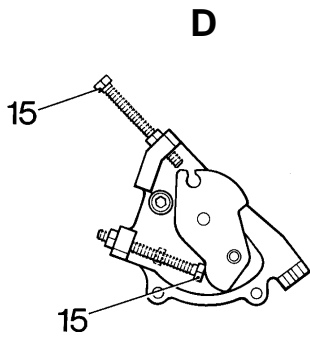
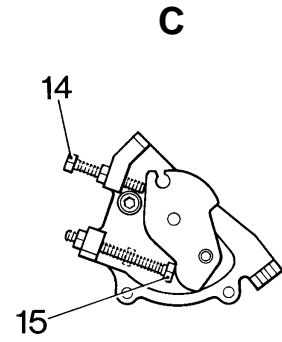
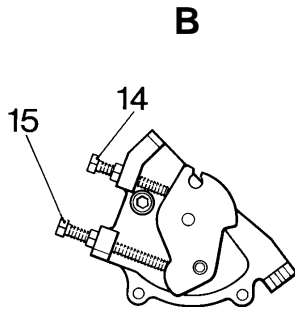
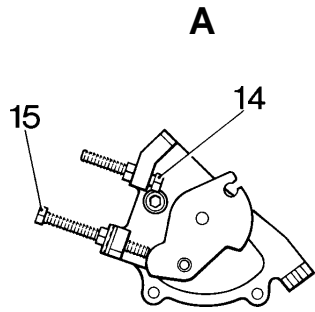
Illustration LP6 No. Description	Part Number	Cylinders			Remarks
		2	3	4	
39 Pivot support	751-10324	2	2	2	Replaces 751-10321/2
- Pivot pin kit	750-11350	1	1	1	
40 Pin		2	2	2	
41 Retainer		2	2	2	
42 Pivot pin clip	751-13010	2	2	2	
43 Shim	751-13181	-	-	-	As required. Replaces 751-13180
44					Not used on Marine Builds
45 Setscrew	272-00718	2	2	2	
46 Locknut	272-00611	2	2	2	
47 Spring clip	751-15050	1	1	1	
48 Screw - M5 x 10mm	272-00690	2	2	2	Replaces 272-00699
49 Spring washer	786377	2	2	2	Replaces 272-00069 and 786303
50 Tamper-proof plate	751-18350	1	1	1	See Note ³
51 Screw	201-46630	1	1	1	See Note ³
52 Clamp	361748	1	1	1	See Note ³
53 Bush	751-19450	1	1	1	Variable speed builds only.
54 Washer	272-00687	2	2	2	Variable speed builds only.
55 Spring pin	027-10103	1	1	1	Variable speed builds only.
56 Screw	272-00718	1	1	1	Variable speed builds only.
57 Top plate	751-19440	1	1	1	Variable speed builds only.
58 Spindle	751-19460	1	1	1	Variable speed builds only.
59 Shroud ring	751-19470	1	1	1	Variable speed builds only.

Notes:

1. Not used on Builds 41, 43, 44
2. Only used on Builds 41, 43, 44
3. Introduced from 1st Nov 1998 for EPA compliant engines only and not to be fitted to earlier engines.

Speed Control

Early type

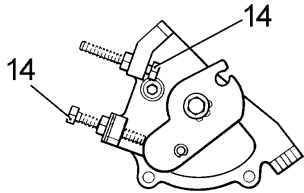


- A Build 48
- B Builds 41, 43, 44
- C LPW3,4 Build 41
- D LPW3,4 Build 41 - for resetting from 1500r/min to 1800r/min
- E LPWS2,3,4 Build 43
- F Builds 40, 42, 45, 46, 47

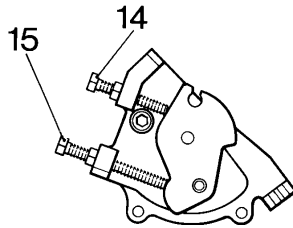
Speed Control

Later type

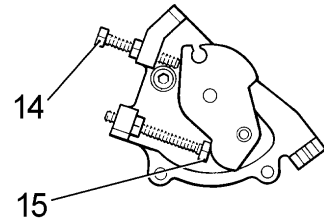
A



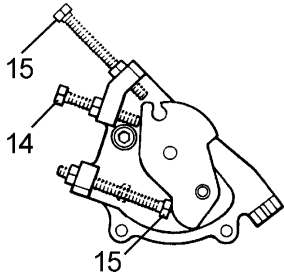
D



E



F



Variable Speed Builds

A Builds 40, 42, 45, 46, 47, 48, 49

Fixed Speed Builds

D Builds 44

E LPWS3 Build 41

F LPW/LPWT Build 41 - for resetting from 1500r/min to 1800r/min

Cylinder Head and Cover - LPW, LPWT4

Illustration LP22

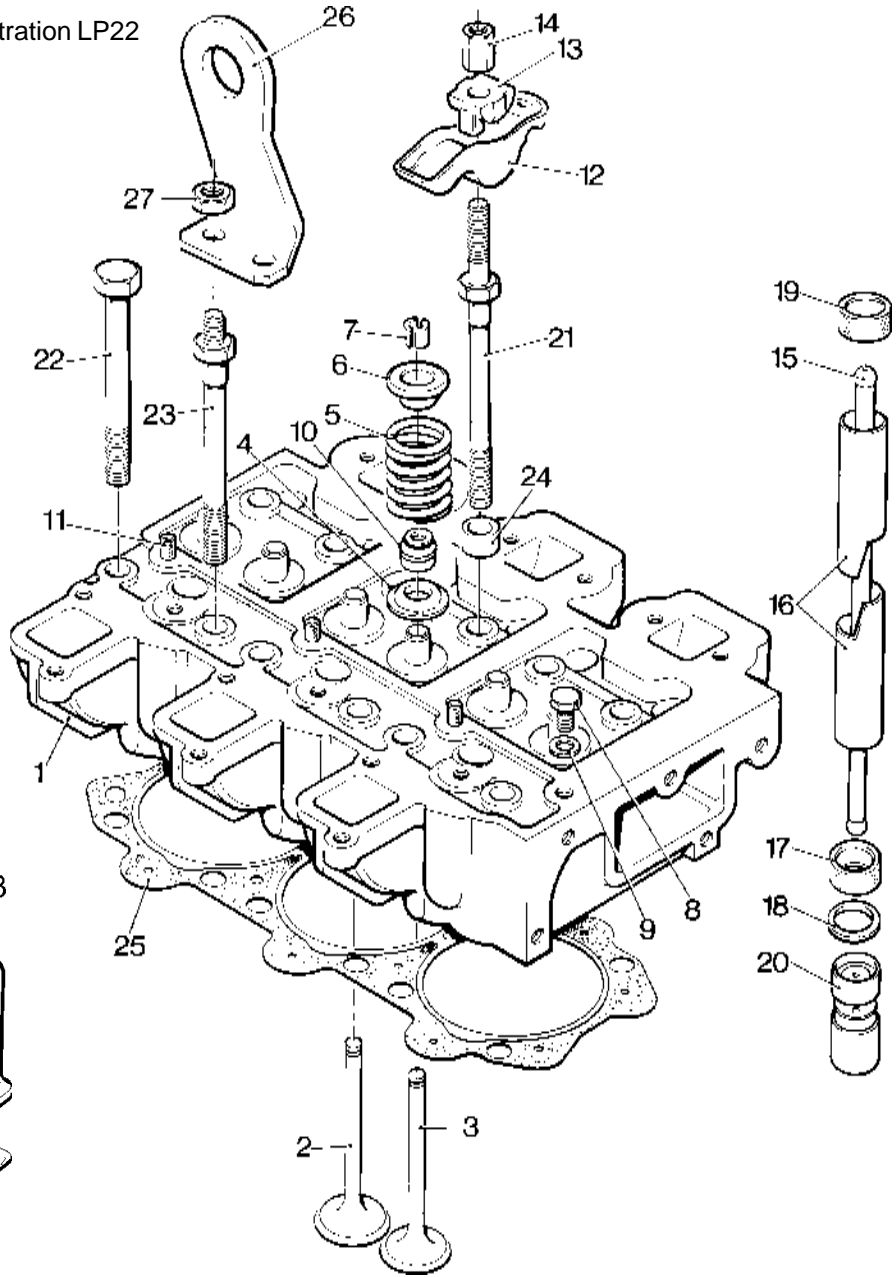


Illustration LP8

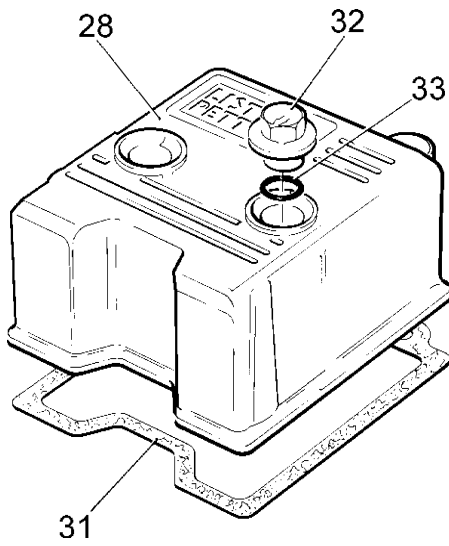


Illustration LP74

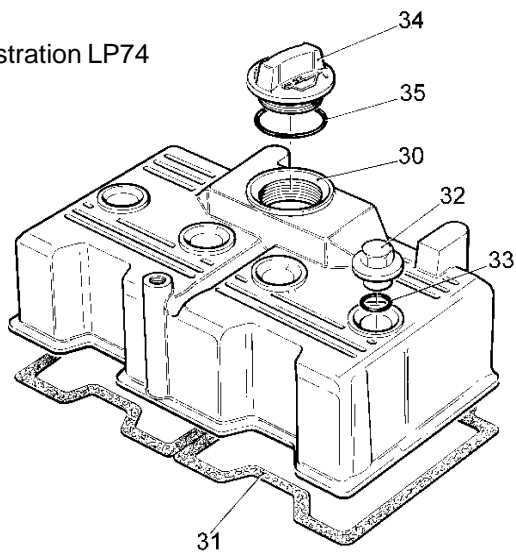
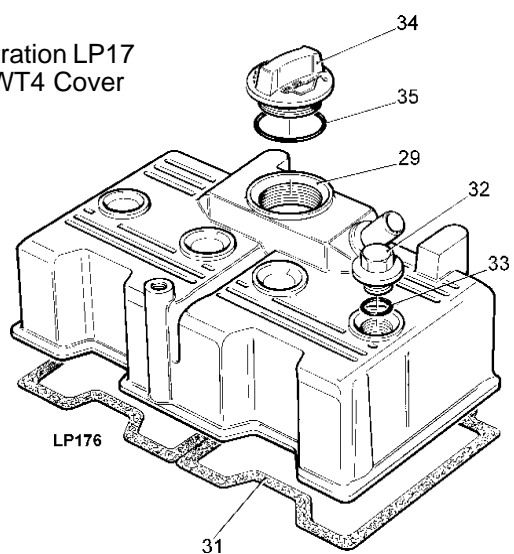


Illustration LP17
LPWT4 Cover



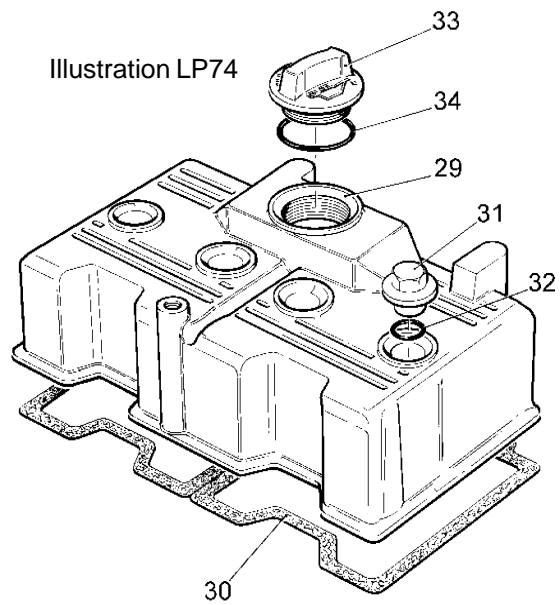
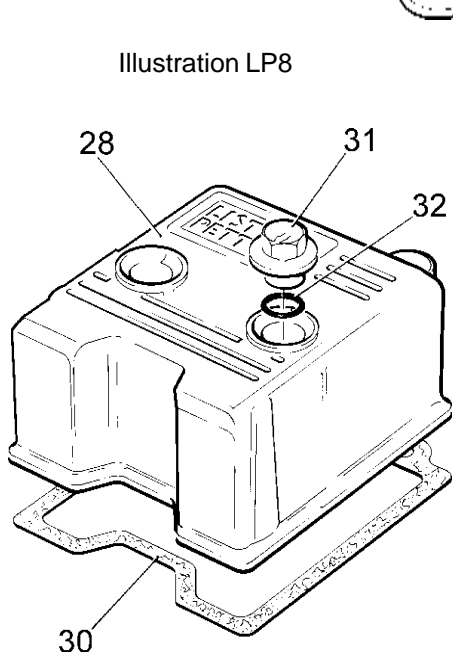
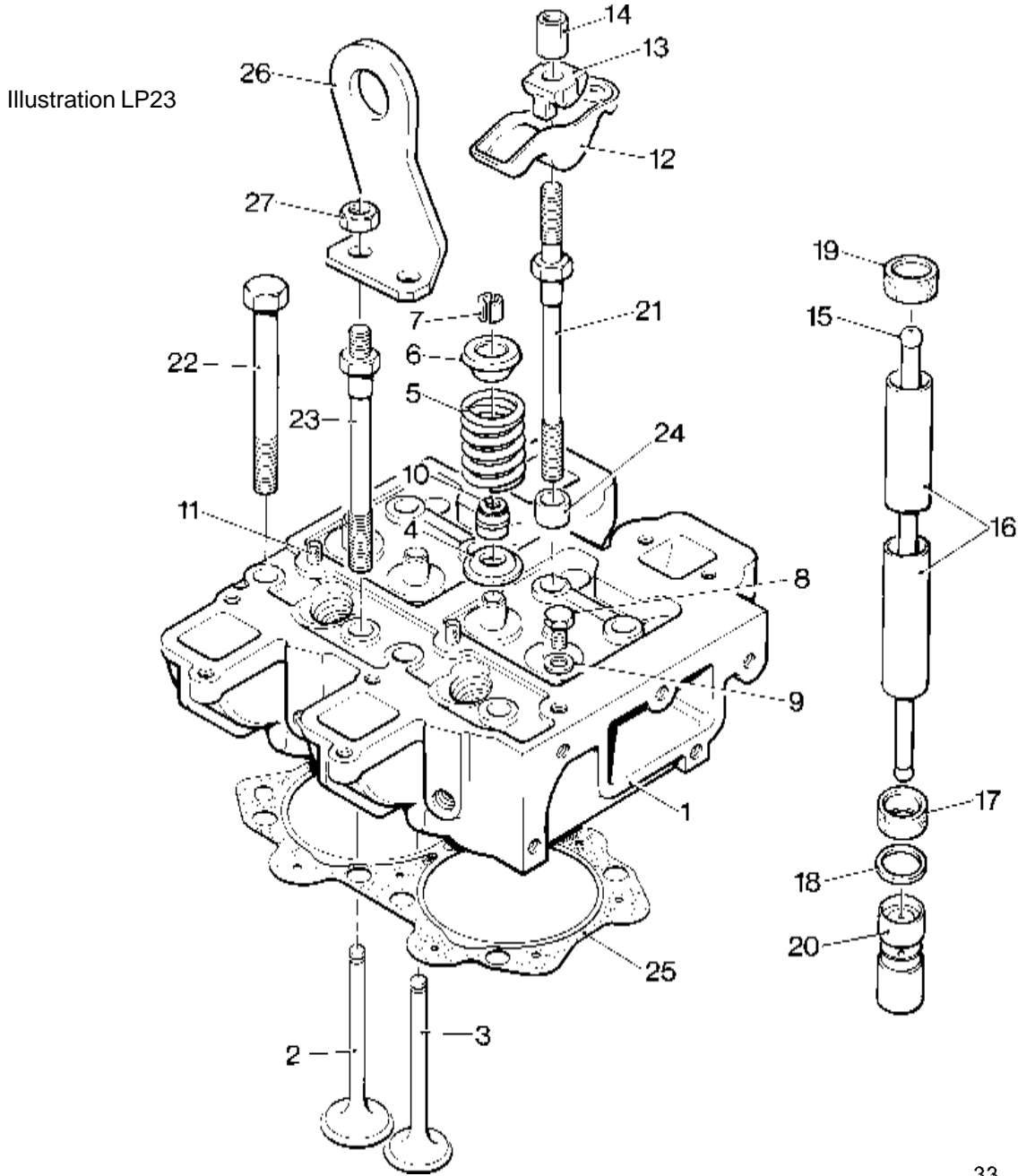
Cylinder Head and Cover - LPW, LPWT4

Illustrations LP8, LP22, LP74, LP176 No. Description	Part Number	Cylinders			Remarks
		2	3	4	
- Cylinder head assembly - LPW2	750-40022	1	-	-	Replaces 750-40021 from 4200396LPW2
1 Cylinder head assembly - LPW3	750-40072	-	1	-	Replaces 750-40071 from 4200850LPW3
- Cylinder head assembly - LPW4	750-40262	-	-	1	Replaces 750-40261 from 4200687LPW4
- Cylinder head assembly - LPWT4	750-41641	-	-	1	
- Valve guide	751-10903	4	6	8	Replaces 751-10902. See Note ¹
2 Inlet valve	751-40550	2	3	4	
- Inlet valve - LPWT4	751-40551	-	-	4	Replaces 751-40550
3 Exhaust valve	751-40530	2	3	4	
4 Valve spring plate	751-10913	4	6	8	
5 Valve spring	751-10661	4	6	8	
6 Valve spring carrier	751-10672	4	6	8	
7 Valve cotter	359401	8	12	16	Supplied in pairs
8 Setscrew	272-00166	1	1	1	
9 Washer	616-01608	1	1	1	
10 Valve stem seal	751-41701	4	6	8	Replaces 751-13570. See Note ²
11 Breather tube	751-13110	2	3	4	
- Cylinder head plug kit	750-40890	1	1	1	
- Rocker lever kit	750-11280	4	6	8	
12 Rocker lever		4	6	8	
13 Pivot		4	6	8	
14 Nut	272-00003	4	6	8	Replaces 751-12700
15 Push rod	751-10063	4	6	8	
16 Push rod sealing tube	751-40192	4	6	8	
17 Crankcase sealing tube rubber	201-30261	4	6	8	
18 Washer	751-11810	4	6	8	
19 Head sealing tube rubber	201-42360	4	6	8	
20 Hydraulic tappet	751-11730	4	6	8	Replaces 751-16720
21 Bolt - cylinder head and rocker	751-40184	4	6	8	Replaces 751-40183
- Bolt - cylinder head and rocker - LPWT4	751-17620	-	-	8	
22 Bolt - cylinder head	751-40173	2	4	4	Replaces 751-40172
- Bolt - cylinder head - LPWT4	751-17630	-	-	4	
23 Bolt - cylinder head and lifting eye	751-40671	2	2	4	Replaces 751-40670
- Bolt - cylinder head and lifting eye - LPWT4	751-17640	-	-	4	
24 Spacer	751-12692	4	6	8	Replaces 751-12691
- Spacer - LPWT4	751-17700	-	-	8	
- Cylinder head gasket - LPW2 1.47mm	752-40751	1	-	-	
25 Cylinder head gasket - LPW3 1.47mm	753-40891	-	1	-	Replaces 753-40751
- Cylinder head gasket - LPW/T4 1.47mm	754-40891	-	-	1	Replaces 754-40751
26 Lifting eye	751-12570	1	1	2	
27 Nut	272-00003	2	2	4	
28 Rocker cover	751-10222	2	3	4	Only 2 on LPWT4
29 Rocker cover - LPWT4	754-44160	-	-	1	
30 Rocker cover with oil filler	757-14211	1	1	1	Builds 40-47. See Accessory Code LA
- Rocker cover	757-19450	-	1	2	Builds 40-47
31 Joint	751-11073	2	3	4	Replaces 751-11072
32 Nut	751-12710	4	6	8	
33 'O' ring	201-81200	4	6	8	
34 Oil filler cap	751-12670	1	1	1	
35 'O' ring	751-12680	1	1	1	
- Rocker cover and joint locating dowel - LPWT4	010-02110	-	-	4	

Notes:

- Replaces 751-10902 from
4200396LPW2 4200850LPW3 4200687LPW4.
If replacing 751-10902 supply 751-10903 plus valve stem seal 751-41701
- Replaces 751-13570 from
4200396LPW2 4200850LPW3 4200687LPW41.
751-13570 and 751-41701 are not interchangeable

Cylinder Head and Cover - LPWS



Cylinder Head and Cover - LPWS

Illustrations LP8, LP23, LP74 No. Description	Part Number	Cylinders			Remarks
		2	3	4	
- Cylinder head assembly - LPWS2	750-40033	1	-	-	Replaces 750-40032
1 Cylinder head assembly - LPWS3	750-40472	-	1	-	Replaces 750-40471
- Cylinder head assembly - LPWS4	750-40483	-	-	1	Replaces 750-40482 from 4200770LPWS4
- Valve guide	751-10903	4	6	8	Replaces 751-10902 4200770LPWS4 see Note ¹
2 Inlet valve	751-40550	2	3	4	
3 Exhaust valve	751-40530	2	3	4	
4 Valve spring plate	751-10913	4	6	8	
5 Valve spring	751-10661	4	6	8	
6 Valve spring carrier	751-10672	4	6	8	
7 Valve cotter	359401	8	12	16	Supplied in pairs
8 Setscrew	272-00166	1	1	1	
9 Washer	616-01608	1	1	1	
10 Valve stem shield	751-41701	4	6	8	Replaces 751-13570 see Note ²
11 Breather tube	751-13110	2	3	4	
- Cylinder head plug kit	750-40890	1	1	1	
- Rocker lever kit	750-11280	4	6	8	
12 Rocker lever		4	6	8	
13 Pivot		4	6	8	
14 Nut	272-00003	4	6	8	Replaces 751-12700
15 Push rod	751-10063	4	6	8	
16 Push rod sealing tube	751-40192	4	6	8	
17 Crankcase sealing tube rubber	201-30261	4	6	8	
18 Washer	751-11810	4	6	8	
19 Head sealing tube rubber	201-42360	4	6	8	
20 Hydraulic tappet	751-11730	4	6	8	Replaces 751-16720
21 Bolt - cylinder head and rocker	751-40184	4	6	8	Replaces 751-40183
22 Bolt - cylinder head	751-40173	1	2	2	Builds 40-47
23 Bolt - cylinder head and lifting eye	751-40671	3	4	6	Builds 40-47
24 Spacer	751-12692	4	6	8	Replaces 751-12691
- Cylinder head gasket - LPWS2 1.47mm	752-40751	1	-	-	
25 Cylinder head gasket - LPWS3 1.47mm	753-40891	-	1	-	Replaces 753-40751
- Cylinder head gasket - LPWS4 1.47mm	754-40891	-	-	1	Replaces 754-40751
26 Lifting eye	751-12570	1	1	2	
27 Nut	272-00003	2	2	4	
28 Rocker cover	751-10222	2	3	4	Accessory Code LK - 750-16480
29 Rocker cover with oil filler	757-14211	1	1	1	Accessory Code LA - 750-10830
- Rocker cover	757-19450	-	1	2	Builds 40-47
30 Joint	751-11073	2	3	4	Replaces 751-11072
31 Nut	751-12710	4	6	8	
32 'O' ring	201-81200	4	6	8	
33 Oil filler cap	751-12670	1	1	1	
34 'O' ring	751-12680	1	1	1	

Notes:

1. If replacing 751-10902 supply 751-10903 plus valve stem seal 751-41701.
2. 751-13570 and 751-41701 are not interchangeable.

The rocker covers are not shown in the accessory sections.

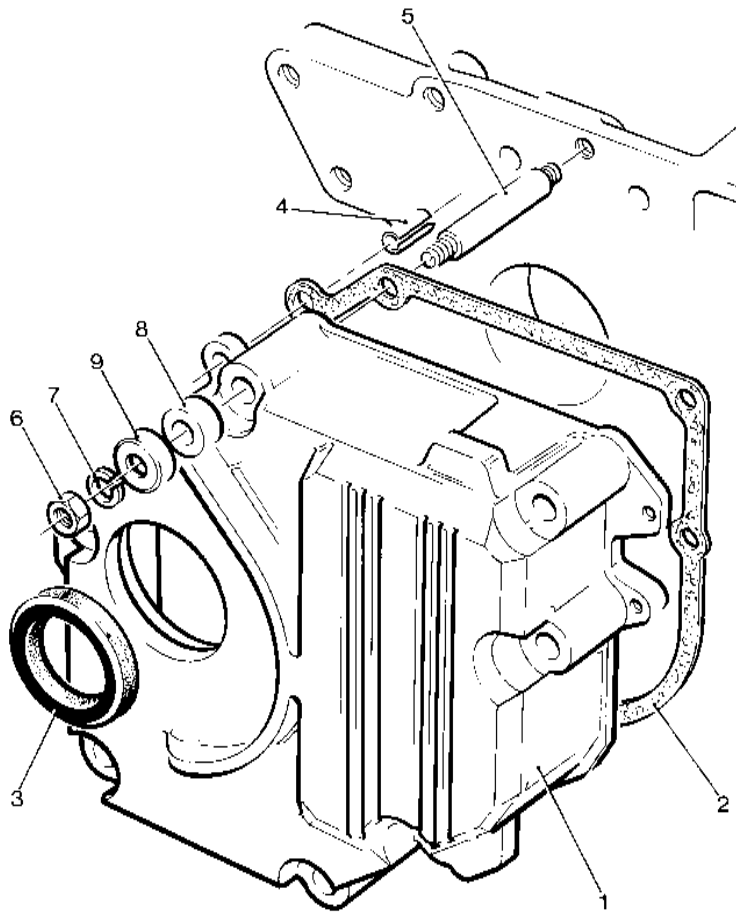
Gear End Cover

Isolated mounting type

Illustration LP14 No. Description	Part Number	Cylinders			Remarks
		2	3	4	
1 Gear end cover	751-10383	1	1	1	Replaces 751-10382. See Note
2 Joint	751-12800	1	1	1	
3 Oil seal	751-10390	1	1	1	
4 Dowel	751-12771	2	2	2	
5 Stud	751-13001	7	7	7	
6 Nut	272-00002	7	7	7	
7 Spring washer	272-00070	7	7	7	
8 Rubber washer	751-12482	7	7	7	
9 Cup washer	751-12491	7	7	7	

Note:
751-10383 is no longer available but it can be replaced by solid mounted gear cover 751-10384 plus all parts shown in 'Gear End Cover - Solid Mounting' section.

Illustration LP14

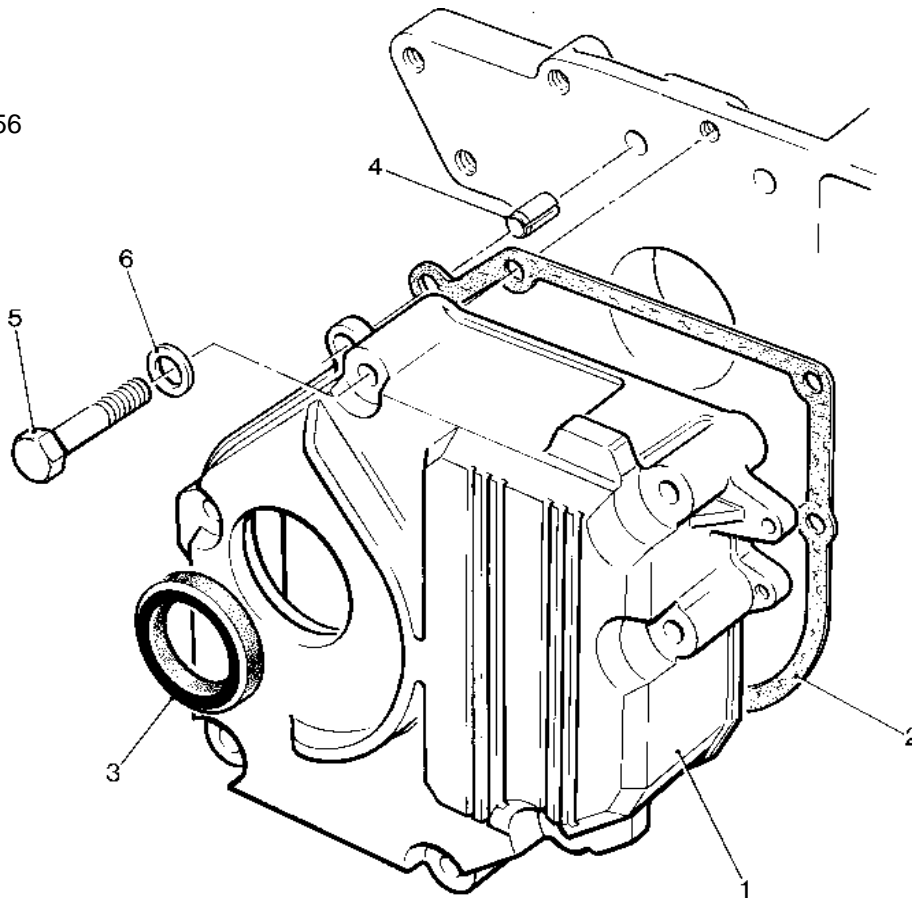


Gear End Cover

Solid mounting

Illustration LP156 No.	Description	Part Number	Cylinders			Remarks
			2	3	4	
1	Gear end cover	751-10384	1	1	1	Replaces 751-10385
-	Gear end cover	751-13671	1	1	1	Not used on Build 47
2	Joint	751-11222	1	1	1	
3	Oil seal	751-10390	1	1	1	
4	Dowel	751-12771	2	2	2	
5	Setscrew - M6 x 50mm	272-00180	7	7	7	
6	Washer	272-00364	7	7	7	
-	Blanking plate	751-13690	1	1	1	Not used on Build 47
-	Joint	751-13700	1	1	1	Not used on Build 47
-	Screw	272-00032	4	4	4	Not used on Build 47

Illustration LP156



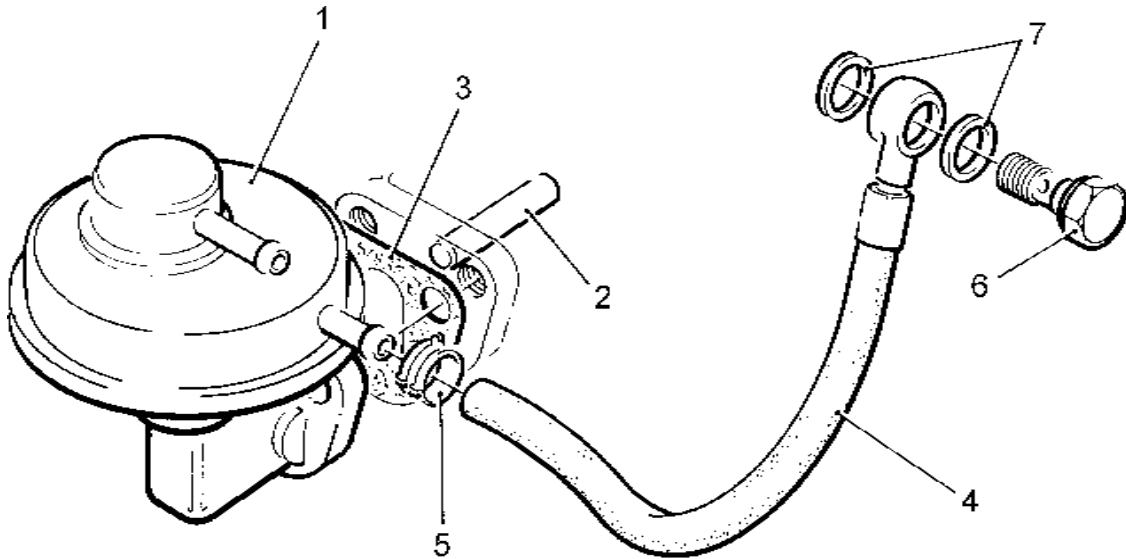
Fuel Lift Pump

AC Delco type

Illustration LP101 No. Description	Part Number	Cylinders			Remarks
		2	3	4	
1 Fuel lift pump	757-14171	1	1	1	See Note
2 Push rod	751-12330	1	1	1	
3 Joint.....	751-11761	1	1	1	
4 Flexible fuel pipe	757-12211	1	1	1	
5 Hose clip	751-13390	1	1	1	
6 Swivel union plug	201-15400	1	1	1	
7 Oil seal	031-61533	2	2	2	

Note:
No longer fitted.

Illustration LP101



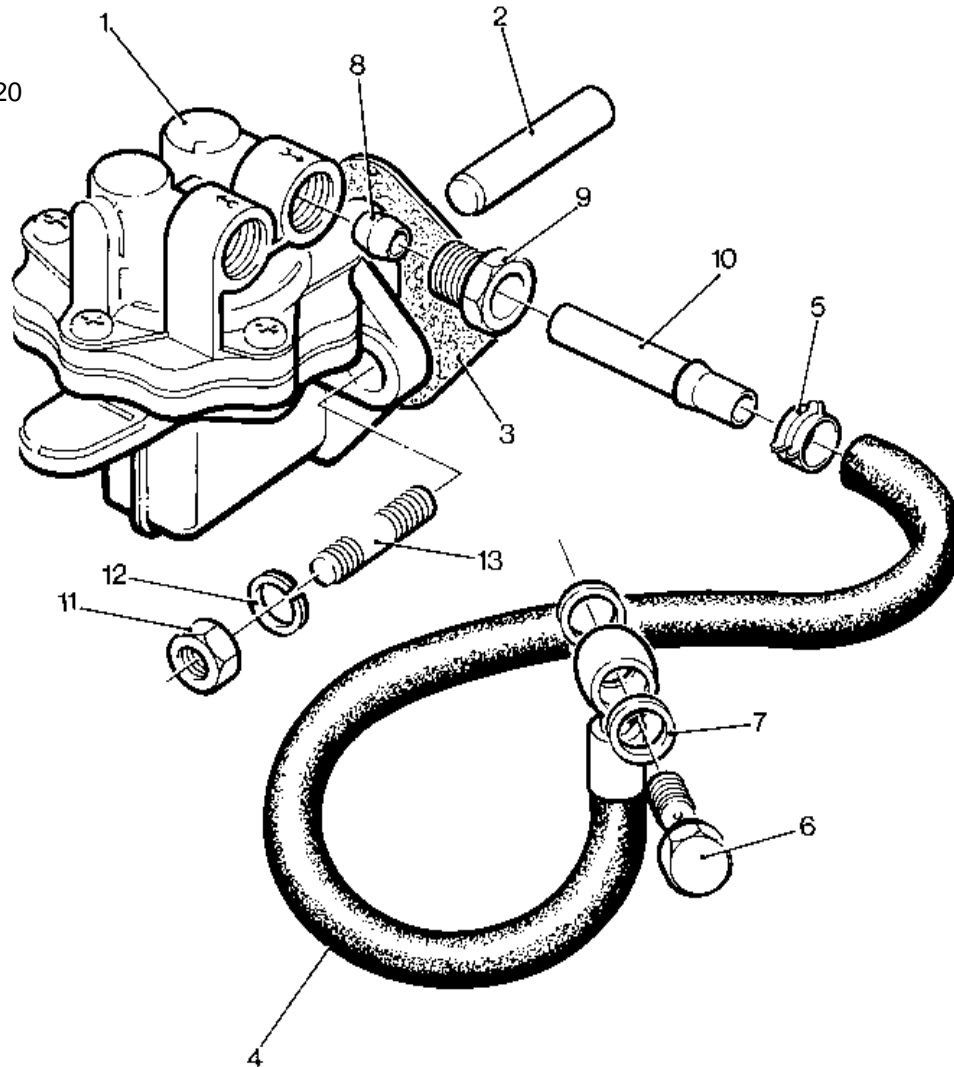
Fuel Lift Pump

Pienne type

Illustration LP120 No.	Description	Part Number	Cylinders			Remarks
			2	3	4	
1	Fuel lift pump	757-14173	1	1	1	See Note
-	Repair kit	027-07897	1	1	1	
2	Push rod	751-12330	1	1	1	
3	Joint	751-11761	1	1	1	
4	Flexible fuel pipe	757-12211	1	1	1	Not usually fitted on Marine Builds (replaced by next 3 items)
-	Steel fuel pipe	751-14760	1	1	1	
-	Tube nut	202-42371	1	1	1	
-	Olive	351-21640	1	1	1	
5	Hose clip plug	201-15400	1	1	1	
7	Oil seal	031-61533	2	2	2	
8	Olive	601-38360	2	2	2	
9	Tube nut	202-42370	2	2	2	
10	Stem	365312	2	2	2	
11	Nut	272-00680	2	2	2	
12	Spring washer	272-00071	2	2	2	
13	Stud - M8 x 25mm	272-00054	2	2	2	

Note:
No longer fitted.

Illustration LP120

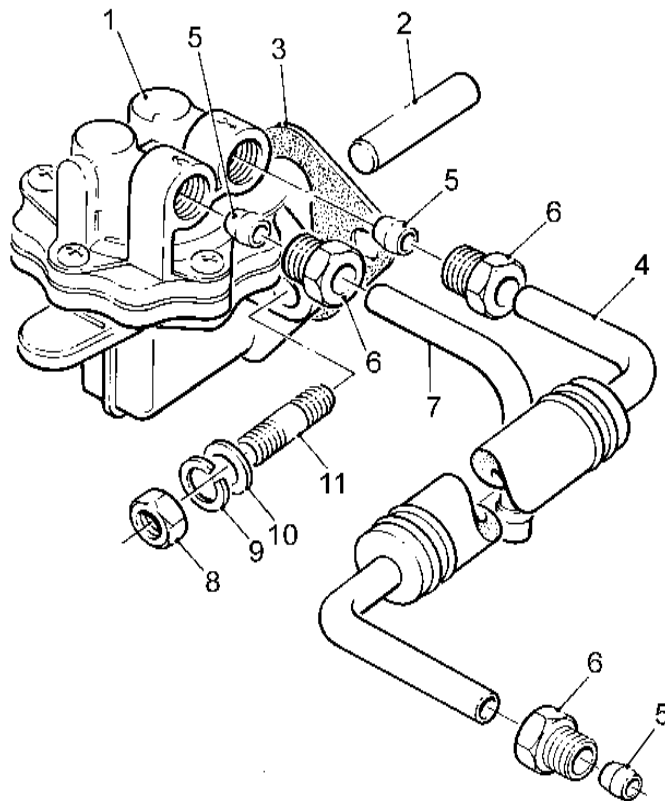


Fuel Lift Pump - LPWT4 Corona type

Illustration LP178

No.	Description	Part Number	LPWT4	Remarks
1	Fuel lift pump	757-14175	1	Not usually fitted on Marine Builds
-	Fuel lift pump	757-14176	1	
-	Repair kit	027-10041	1	
2	Push rod	751-12330	1	
3	Joint	751-11761	1	
4	Flexible fuel pipe	750-42690	1	Not usually fitted on Marine Builds
-	Steel fuel pipe	751-60270	1	
5	Olive	351-21640	3	
6	Tube nut	202-42371	3	
7	Stem	751-60090	1	
8	Extended nut	751-41180	2	
9	Spring washer	272-00071	2	
10	Washer	272-00715	2	
11	Stud	272-00306	2	

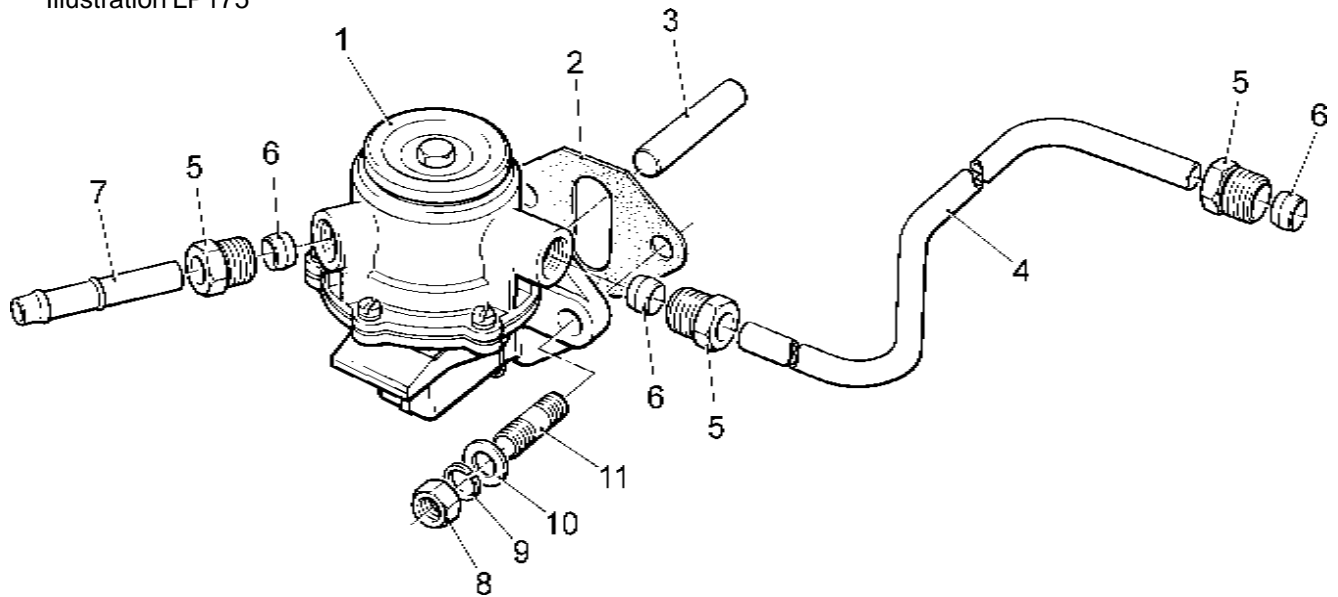
Illustration LP178



Fuel Lift Pump - LPW, LPWS

Illustration LP175 No. Description	Part Number	Cylinders			Remarks
		2	3	4	
1 Fuel lift pump	757-14176	1	1	1	
2 Joint	751-11761	1	1	1	
3 Push rod	751-12330	1	1	1	
4 Fuel pipe	751-60083	1	1	1	
- Fuel pipe	751-60270	1	1	1	Build 48
5 Tube nut	202-42371	3	3	3	
6 Olive	351-21640	3	3	3	
7 Stem	751-60090	1	1	1	
8 Nut	272-00680	2	2	2	
9 Spring washer	272-00360	2	2	2	
10 Washer	272-00715	2	2	2	
11 Stud	272-00306	2	2	2	

Illustration LP175



Fuel Filter - LPW, LPWS

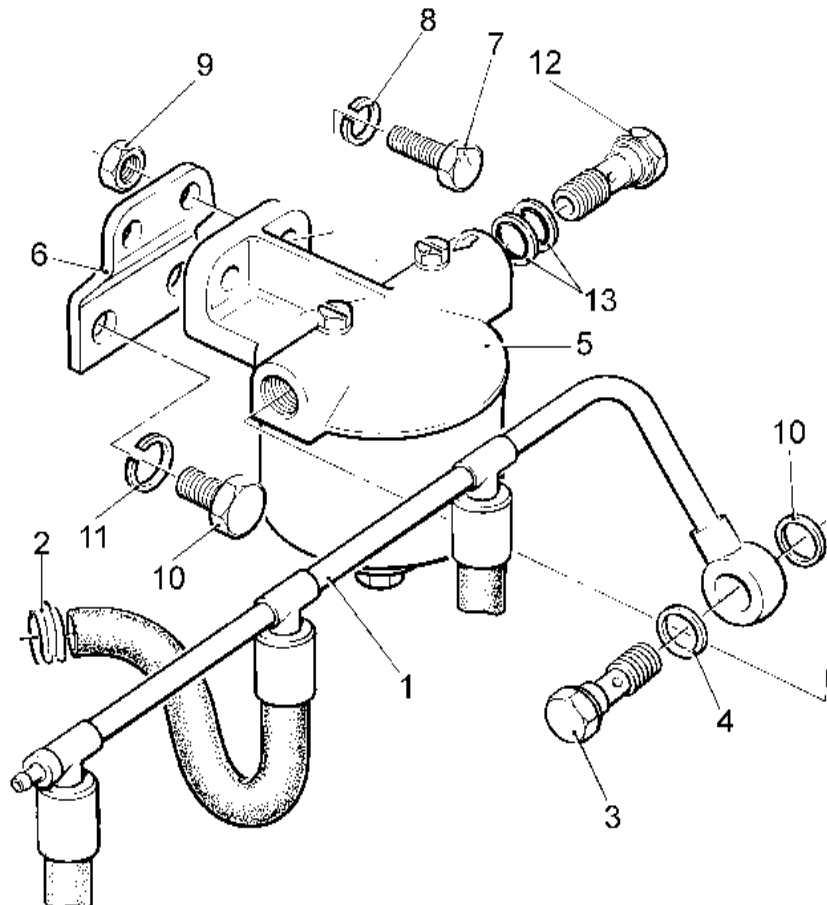
Early type

Illustration LP180 No. Description	Part Number	Cylinders			Remarks
		2	3	4	
- Fuel pipe - LPW/LPWS2	757-18791	1	-	-	Replaces 752-12343 see Note:
1 Fuel pipe - LPW/LPWS3	757-18801	-	1	-	Replaces 753-12343 see Note:
- Fuel pipe - LPW/LPWS4	757-18811	-	-	1	Replaces 754-12343 see Note:
2 Hose band	751-15210	2	3	4	Replaces 751-13390
3 Swivel union plug	201-15400	1	1	1	
4 Oil seal	031-61533	2	2	2	
5 Fuel filter	284359	1	1	1	
- Element	201-13118	1	1	1	
6 Mounting bracket	751-16620	1	1	1	Replaces 751-12151
7 Setscrew - M6 x 20mm	272-00117	2	2	2	
8 Spring washer	272-00070	2	2	2	
9 Nut	272-00002	2	2	2	
10 Setscrew - M8 x 14mm	272-00037	2	2	2	
- Setscrew - M8 x 25mm	272-00040	2	2	2	
11 Spring washer	272-00071	2	2	2	
12 Swivel union plug	201-15400	1	1	1	
13 Oil seal	031-61533	2	2	2	

Note:

Bracket 751-16620 must also be fitted if fuel pipes 752-12343, 753-12343 or 754-12343 are being replaced by the later type.

Illustration LP180



Fuel Agglomerator - LPW, LPWS

Early type

Illustration LP102
No. Description

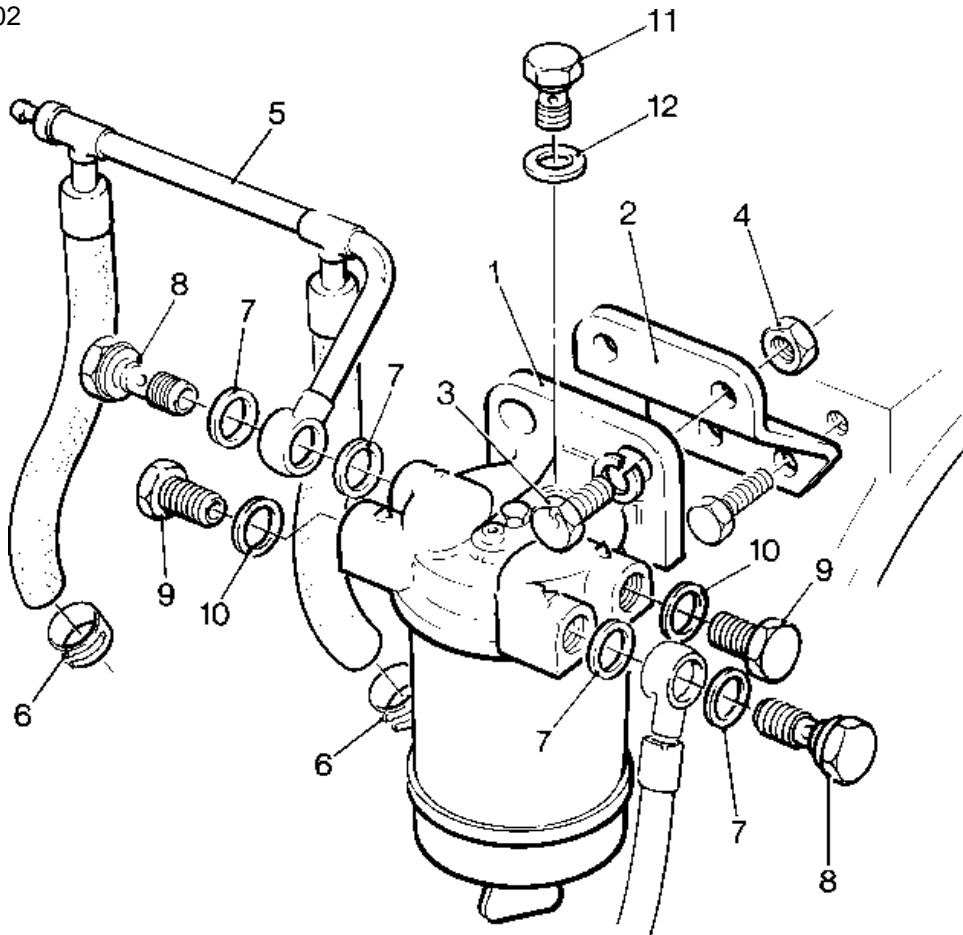
Part Number Cylinders
2 3 4 Remarks

1	Fuel agglomerator	366-07180	1	1	1	
-	Element	351-29760	1	1	1	
2	Mounting bracket	757-14393	1	1	1	Used when in high position
-	Mounting bracket	757-14394	1	1	1	Used when in low position
3	Setscrew - M8 x 20mm	272-00665	2	2	2	
4	Nut	272-00680	2	2	2	
-	Fuel pipe - LPW/LPWS2	757-18791	1	-	-	Replaces 752-12343. See Note
5	Fuel pipe - LPW/LPWS3	757-18801	-	1	-	Replaces 753-12343. See Note
-	Fuel pipe - LPW/LPWS4	757-18811	-	-	1	Replaces 754-12343. See Note
6	Hose band	751-15210	2	3	4	Replaces 751-13390.
7	Oil seal	031-61533	4	4	4	
8	Swivel union plug	354-28630	2	2	2	
9	Blanking plug	354-28530	2	2	2	
10	Copper washer	201-41640	2	2	2	
11	Vent plug	352-28740	1	1	1	
12	Copper washer	354-26310	1	1	1	

Note:

Bracket 757-14393 or 757-14394 must also be fitted if fuel pipes 752-12343, 753-12343 or 754-12343 are being replaced by the later type.

Illustration LP102



Fuel Agglomerator

Later type

Illustration LP185A
No. Description

Cylinders

No.	Description	Part Number	2	3	4	Remarks
1	Fuel agglomerator	750-14120	1	1	1	Replaces 757-21110
-	Element	751-18100	1	1	1	Replaces 757-21370
2	Bracket	751-17760	1	1	1	Not fitted on Marine Builds
-	Bracket	757-60300	1	1	1	Marine Builds
3	Screw	272-00665	2	2	2	
4	Spring washer	272-00360	2	2	2	
5	Screw	272-00697	2	2	2	
6	Washer	272-00694	6	6	6	
7	Nut.....	272-00681	2	2	2	
8	Plug	272-00370	1	1	1	
9	Copper washer	354-26310	1	1	1	
10	Tube nut	202-42370	3	3	3	Replaces plug 354-28530
11	Sealing ball	202-32120	2	2	2	Replaces washer 201-41640
12	Tube nut	202-42371	1	1	1	
13	Olive	351-21640	1	1	1	Replaces 601-38360
14	Olive	351-21640	1	1	1	

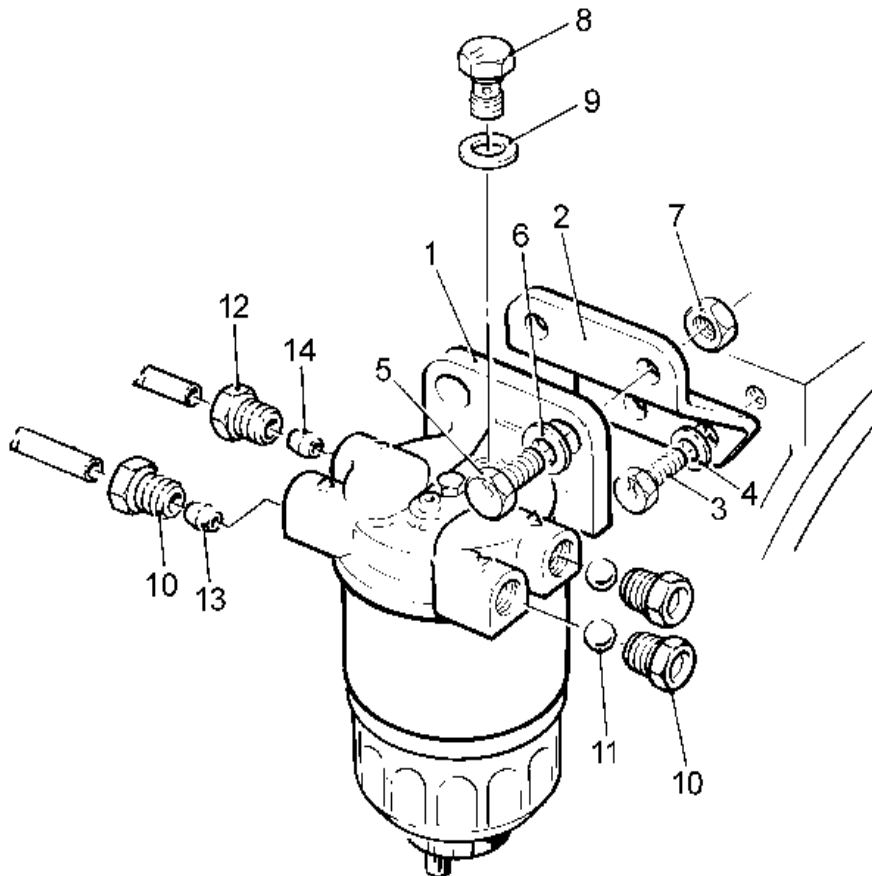


Illustration 185A

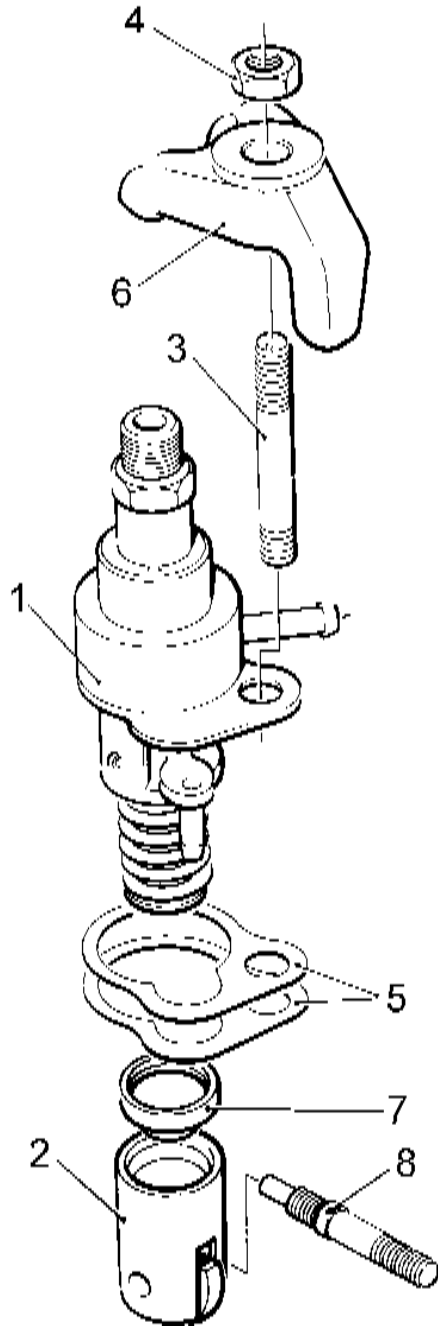
Fuel Agglomerator - LPWT

Fittings for remote mounted agglomerator

Not Illustrated Description	Part Number	LPWT	Remarks
Accessory Kit Code MFG	750-63710	1	
Union	202-42371	4	
Olive	351-21640	4	
Stem	751-60090	4	
Fuel hose	757-61791	2	
Joint block	757-62380	1	
Bolt - M6 x 35mm	272-00719	1	
Nut - M6	272-00679	1	
Spring washer	786378	1	
Bracket	751-18630	1	
Screw - M8 x 20mm	272-00665	1	
Spring washer - M8	272-00360	1	
Hose clamp	027-10094	4	

Fuel Pump

Illustration LP179



Fuel Pump

Illustration LP179 No.	Description	Part Number	Cylinders			Remarks
			2	3	4	
1	Fuel pump assembly - LPW	751-41324	2	3	4	Builds 40, 41, 42, 44, 45, 46, 47 See Note ¹
-	Fuel pump assembly - LPWS	751-41264	2	3	4	Builds 40, 41, 42, 44, 45, 46, 47 See Note ¹
-	Fuel pump assembly - LPWT4	750-43732	-	-	4	Builds 40, 41, 42, 43, 44, 46 See Note ¹
2	Tappet assembly	750-11873	2	3	4	Replaces 751-12110 and 750-11872
3	Stud	272-00630	2	3	4	
4	Nut	751-11460	2	3	4	Replaced by 272-00680; see Note ²
-	Nut	272-00680	2	3	4	Replaces 751-11460
5	Fuel pump shim kit	750-11330				Contains one of each shim
-	Shim (green) - 0.075mm	751-12840				
-	Shim (slate blue) - 0.125mm	751-12841				
-	Shim (black) - 0.250mm	751-12842				
6	Clamp	751-11722	2	3	4	Replaced by 751-11723; see Note ²
-	Clamp	751-11723	2	3	4	Replaces 751-11722
7	Thrust cup	751-13311	2	3	4	
8	Shouldered stud	751-14730	2	3	4	

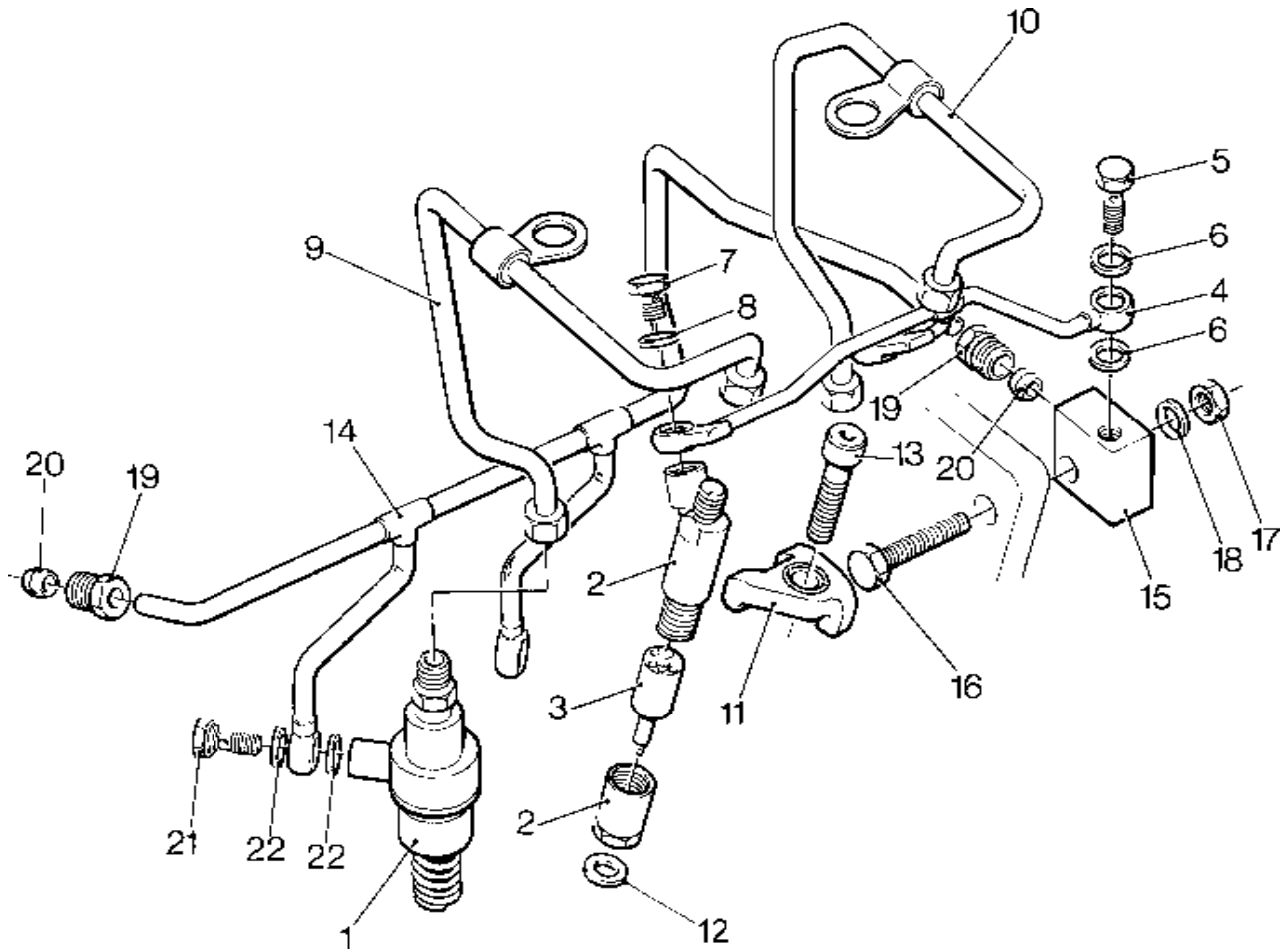
Notes:

Current fuel pumps are Lucas Dizel and replace all previous OMAP, Bryce and Stanadyne fuel pumps.

1. Comprises pump plus adaptor and sealing washer 291-25630.
2. 751-11460 can only be used with 751-11722 and 751-11723 can only be used with 751-11723.

Fuel Injector and Pipes - LPW, LPWT4

Illustration LP130



Fuel Injector and Pipes - LPW, LPWT4

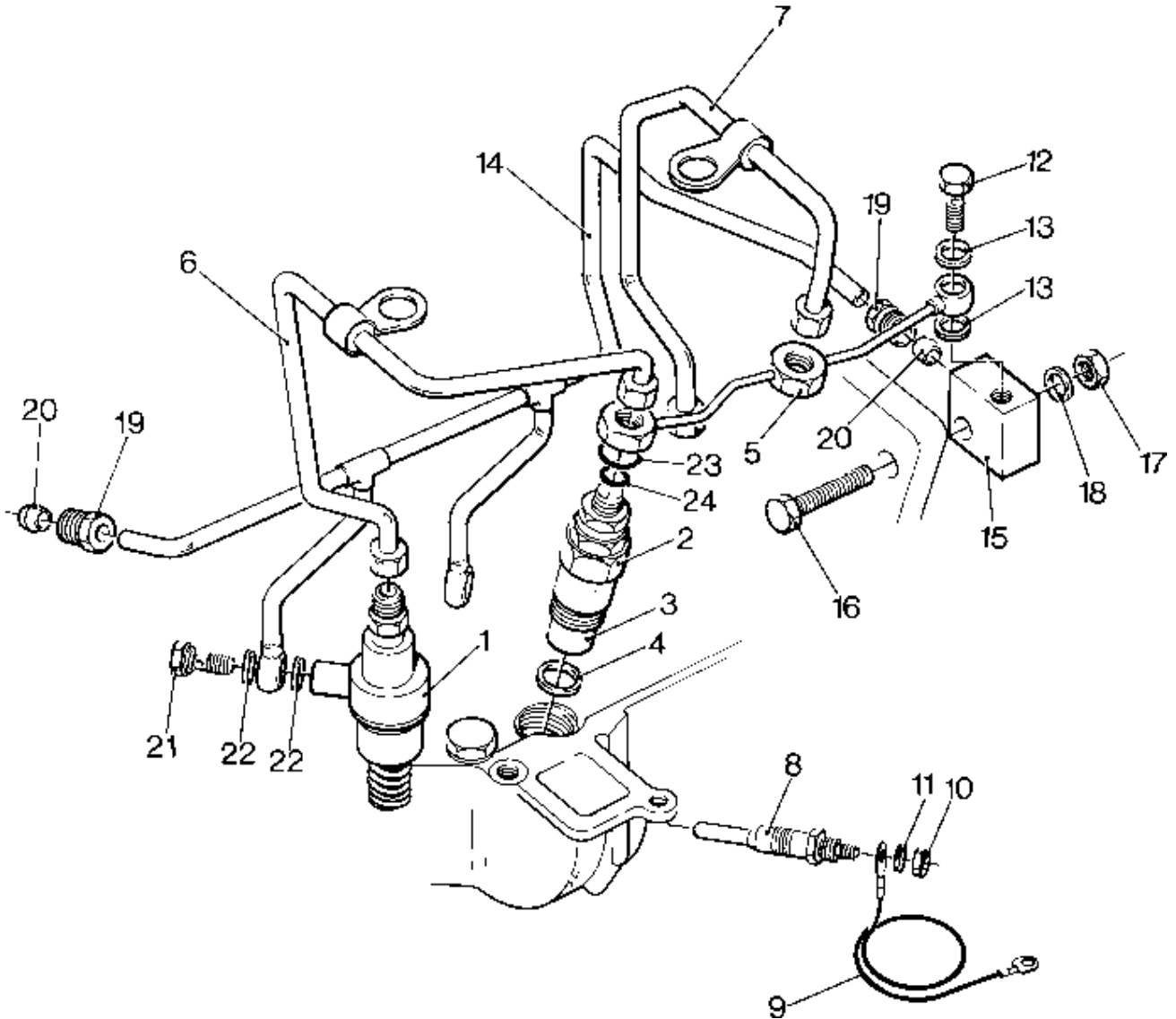
Illustration LP130 No.	Description	Part Number	Cylinders			Remarks
			2	3	4	
1	Fuel pump	751-41324	2	3	4	Replaces all previous
-	Fuel pump - LPWT4	754-43732	-	-	4	Replaces all previous
2	Fuel injector	751-45250	2	3	4	Replaces all previous
3	Nozzle	751-46560	2	3	4	Replaces all previous. See Note ¹
-	Fuel injector - LPWT4	754-45261	-	-	4	Replaces all previous Builds 41, 43, 44
-	Nozzle - LPWT4	754-46570	-	-	4	Builds 41, 43, 44. See Note ¹
4	Leak-off pipe - LPW2	752-14831	1	-	-	Replaces 752-14830 from 4000030LPW2
-	Leak-off pipe - LPW3	753-14831	-	1	-	Replaces 753-14830 from 4000076LPW3
-	Leak-off pipe - LPW4	754-14831	-	-	1	Replaces 754-14830 from 4000079LPW4
5	Swivel union plug	601-31011	1	1	1	
6	Seal	270-00475	2	2	3	
7	Swivel union plug	601-36100	2	3	4	
8	Copper washer	352-29370	4	6	8	
9	Fuel pipe	751-10244	1	2	3	
10	Fuel pipe	751-14780	1	1	1	
11	Clamp	751-10580	2	3	4	
12	Washer	201-45070	2	3	4	
13	Cap head screw - M8 x 40mm	272-00345	2	3	4	Replaces bolt 751-12530 See Note ²
14	Fuel pipe - LPW2	752-60070	1	-	-	
-	Fuel pipe - LPW2	752-14750	1	-	-	Early engines
-	Fuel pipe - LPW3	753-60070	-	1	-	
-	Fuel pipe - LPW3	753-60073	-	1	-	Replaces 753-14750. Build 48
-	Fuel pipe - LPW3	753-14750	-	1	-	Early engines
-	Fuel pipe - LPW4	754-60070	-	-	1	
-	Fuel pipe - LPW4	754-60073	-	-	1	Replaces 754-14750. Build 48
-	Fuel pipe - LPW4	754-14750	-	-	1	Early engines
-	Fuel pipe - LPWT4	754-60072	-	-	1	
15	Manifold block	751-60031	1	1	1	
-	Manifold block	751-13920	1	1	1	Build 48 and early engines
-	Manifold block - LPW/T4	751-60250	-	-	1	Build 48
16	Bolt - M8 x 20mm	272-00716	1	1	1	
17	Nut	272-00680	1	1	1	
18	Washer	272-00715	1	1	1	
19	Union	202-42371	2	2	2	
20	Olive	351-21640	2	2	2	
21	Swivel union plug	751-14610	2	3	4	
22	Seal	270-00475	4	6	8	
-	Stem	751-60090	1	1	1	
-	Swivel union plug	201-15400	1	1	1	Early engines
-	Seal	031-61533	2	2	2	Early engines
-	Copper washer	013-22350	-	1	1	Build 48
-	Plug	354-28530	-	1	1	Build 48

Notes:

- For injectors 751-41351 and 751-17601 use nozzle 751-15871. For injector 754-43711 use nozzle 754-43720.
- Fit the cap head screw 272-00345 with the modified injector clamp.

Fuel Injector and Pipes - LPWS

Illustration LP126



Fuel Injector and Pipes - LPWS

Illustration LP126		Part Number	Cylinders			Remarks
No.	Description		2	3	4	
1	Fuel pump	751-41264	2	3	4	Replaces all previous
2	Fuel Injector	751-40920	2	3	4	Replaces 751-40760
3	Nozzle	751-40860	2	3	4	
4	Washer	751-40630	2	3	4	
5	Leak-off pipe - LPWS2	752-41122	1	-	-	Replaces 752-41120/1
-	Leak-off pipe - LPWS3	753-41122	-	1	-	Replaces 753-41120/1
-	Leak-off pipe - LPWS4	754-41122	-	-	1	Replaces 754-41120/1
6	Fuel pipe assembly	751-40612	1	2	3	
-	Fuel pipe assembly	751-40611	1	2	3	Builds 44, 46
7	Fuel pipe assembly	751-41100	1	1	1	
-	Fuel pipe assembly	751-41101	1	1	1	Builds 44, 46
8	Glow plug	751-40620	2	3	4	
9	Cable link	751-40810	1	2	3	
10	Nut	272-00611	2	3	4	
11	Washer	272-00687	2	3	4	Replaces 272-00610
12	Swivel union plug	601-31011	1	1	1	
13	Seal	270-00475	2	2	2	
14	Fuel pipe - LPWS2	752-60070	1	-	-	
-	Fuel pipe - LPWS2	752-14750	1	-	-	Early engines
-	Fuel pipe - LPWS3	753-60070	-	1	-	
-	Fuel pipe - LPWS3	753-14750	-	1	-	Build 48 and early engines
-	Fuel pipe - LPWS4	754-60070	-	-	1	
-	Fuel pipe - LPWS4	754-14750	-	-	1	Build 48 and early engines
15	Manifold block	751-60031	1	1	1	
-	Manifold block	751-13920	1	1	1	Build 48 and early engines
16	Bolt - M8 x 20mm	272-00716	1	1	1	
17	Nut	272-00680	1	1	1	
18	Washer	272-00715	1	1	1	
19	Union	202-42371	2	2	2	
20	Olive	351-21640	2	2	2	
21	Swivel union plug	751-14610	2	3	4	
22	Seal	270-00475	4	6	8	
23	'O' ring	751-18410	2	3	4	Replaces 751-17951 and 751-42600
24	'O' ring	751-18420	2	3	4	Replaces 751-18061 and 751-42600
-	Swivel union plug	201-15400	1	1	1	Early engines
-	Seal	031-61533	2	2	2	Early engines

Notes:

For 'Fuel Tank and Pipes' see Accessory Kit Codes MFA and MFB.
 For 'Flexible Fuel Connections' see Accessory Kit Code MFC.
 For 'Steel Supply and Leak-Off Pipes' see Accessory Kit Code MFD.

Fuel Leak-off Pipes and Seal Kits - LPWS

Not Illustrated Description	Part Number	Cylinders			Remarks
		2	3	4	
Leak-off pipe and seals kit - LPWS2.....	750-41681	1	-	-	Replaces 750-41680
Leak-off pipe.....	752-41122	1	-	-	
Seal	270-00475	2	-	-	
'O' ring	751-18410	2	-	-	
'O' ring	751-18420	2	-	-	
Leak-off pipe and seals kit - LPWS3.....	750-41691	-	1	-	Replaces 750-41690
Leak-off pipe.....	753-41122	-	1	-	
Seal	270-00475	-	2	-	
'O' ring	751-18410	-	3	-	
'O' ring	751-18420	-	3	-	
Leak-off pipe and seals kit - LPWS4.....	750-41701	-	-	1	Replaces 750-41700
Leak-off pipe.....	754-41122	-	-	1	
Seal	270-00475	-	-	2	
'O' ring	751-18410	-	-	4	
'O' ring	751-18420	-	-	4	

Crankshaft Pulley and Belt

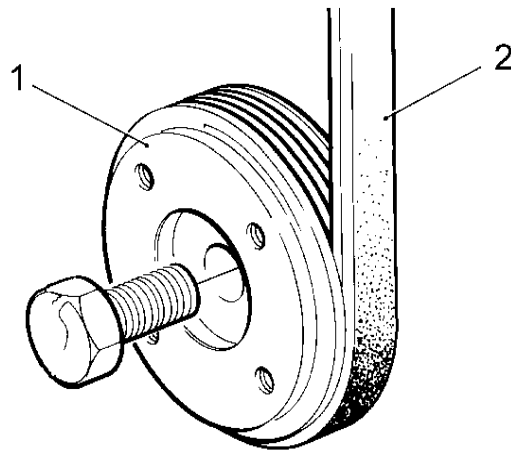
Magnetti Marelli alternator

Illustration LP138A		Part Number	Cylinders			Remarks
No.	Description		2	3	4	
1	Crankshaft pulley - 90mm diameter	751-10407	1	1	1	
-	Crankshaft pulley - 124mm diameter	751-10408	1	1	1	Builds 47
2	Belt - 825mm	751-17810	1	1	1	
-	Belt	751-17820	1	1	1	Replaces 751-40460

Mitsubishi alternator

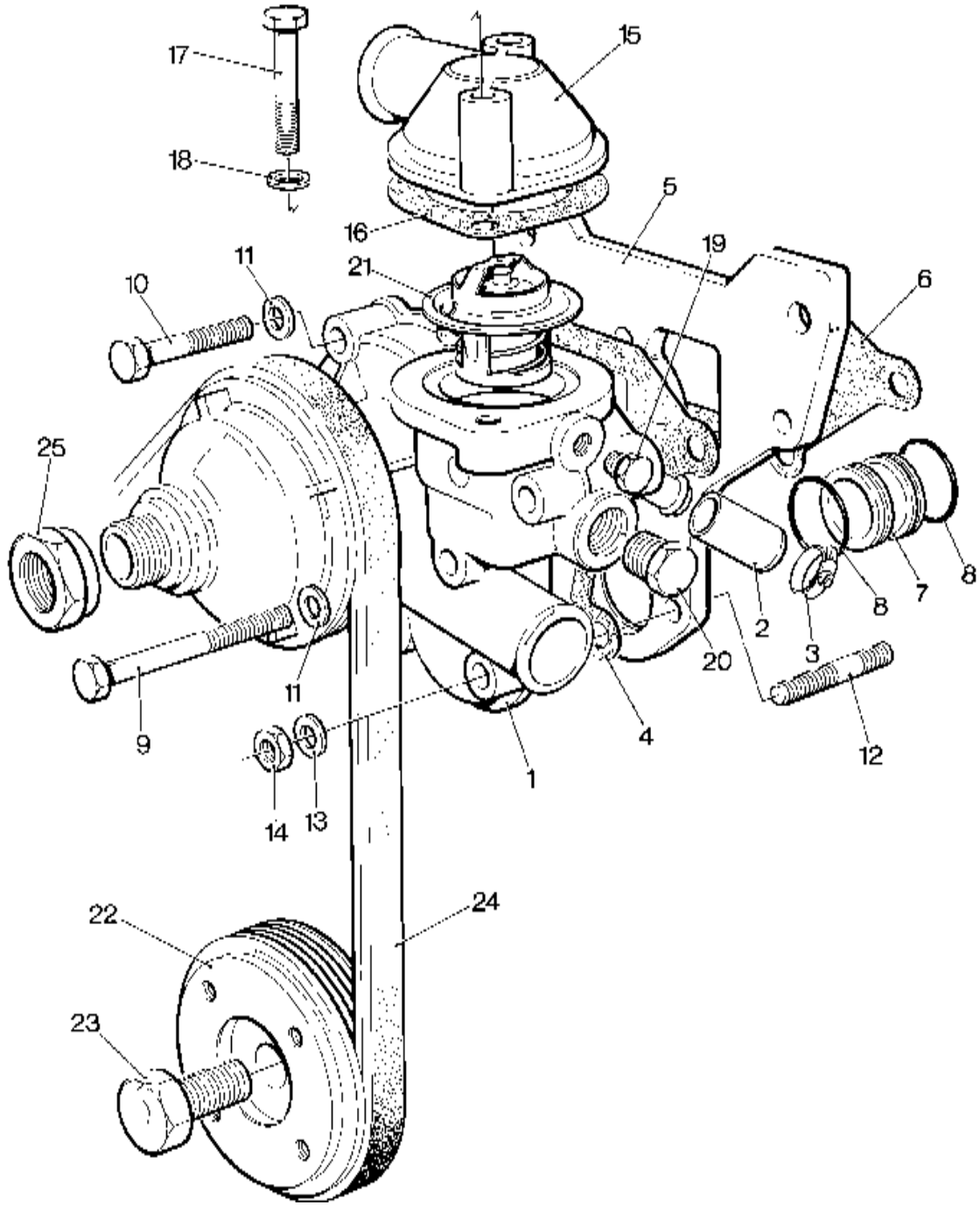
Illustration LP138A		Part Number	Cylinders			Remarks
No.	Description		2	3	4	
1	Crankshaft pulley - 90mm diameter	751-10407	1	1	1	
2	Belt - 825mm	751-17810	1	1	1	
-	Belt	751-17820	1	1	1	

Illustration LP138



Water Pump and Thermostat

Illustration LP138



Water Pump and Thermostat

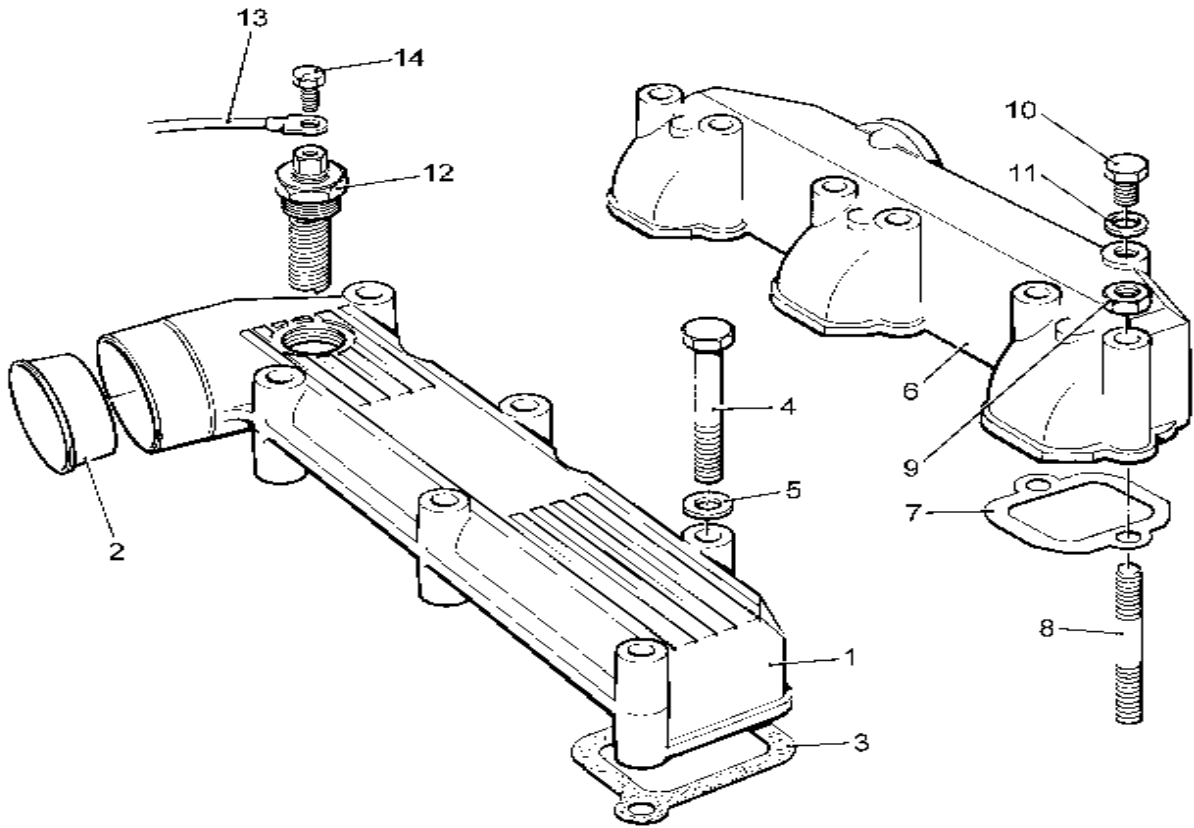
Illustration LP138		Cylinders			Remarks	
No.	Description	Part Number	2	3		4
1	Water pump assembly	750-40624	1	1	1	Replaces 750-40012, 750-40620 and 750-40621; see Note ¹
2	Cap	751-41220	1	1	1	
3	Hose clip	027-07934	1	1	1	Replaces 027-16029 & 027-04686
4	Joint	751-40211	1	1	1	
5	Mounting plate	751-40203	1	1	1	Replaces 751-40202
6	Joint	751-40450	1	1	1	
7	Sleeve	751-40441	1	1	1	
8	'O' Ring	601-20691	2	2	2	
9	Bolt - M8 x 75mm	272-00047	3	3	3	
10	Bolt - M8 x 45mm	272-00169	2	2	2	
11	Washer	027-00082	5	5	5	
12	Stud - M8 x 45mm	272-00757	2	2	2	Replaces 272-00183
13	Washer	027-00082	2	2	2	
14	Nut - M8	272-00003	2	2	2	
15	Thermostat outlet	803-02271	1	1	1	
16	Joint	751-40281	1	1	1	Replaces 751-40280
17	Bolt - M8 x 60mm	272-00045	2	2	2	
18	Washer	027-00082	2	2	2	
19	Plug	366-07041	1	1	1	
20	Plug	751-40680	1	1	1	
21	Thermostat		1	1	1	See Note ²
22	Crankshaft pulley		1	1	1	See Note ³
23	Crankshaft pulley bolt	751-14250	1	1	1	Left hand thread
24	Belt		1	1	1	See Note ³
25	Fan nut	751-40521	1	1	1	Left hand thread. Replaces 751-40520
-	Fan spacer	757-17420	1	1	1	Build 70

Notes:

1. Items 2, 3 and hose 757-10562 must be fitted if pump 750-40620 is being replaced.
2. The following thermostat part numbers replace all previous ones:
 751-40982 (80°C) - All LPWT4 Builds, all LPW/LPWS Builds except 48.
 751-40983 (74°C) - LPW3,4 Build 48.
 751-40981 (74°C) - LPW, LPWS Build 48.
3. Refer to 'Crankshaft Pulley and Belt'.

Manifolds - LPW, LPWS

Illustration LP10



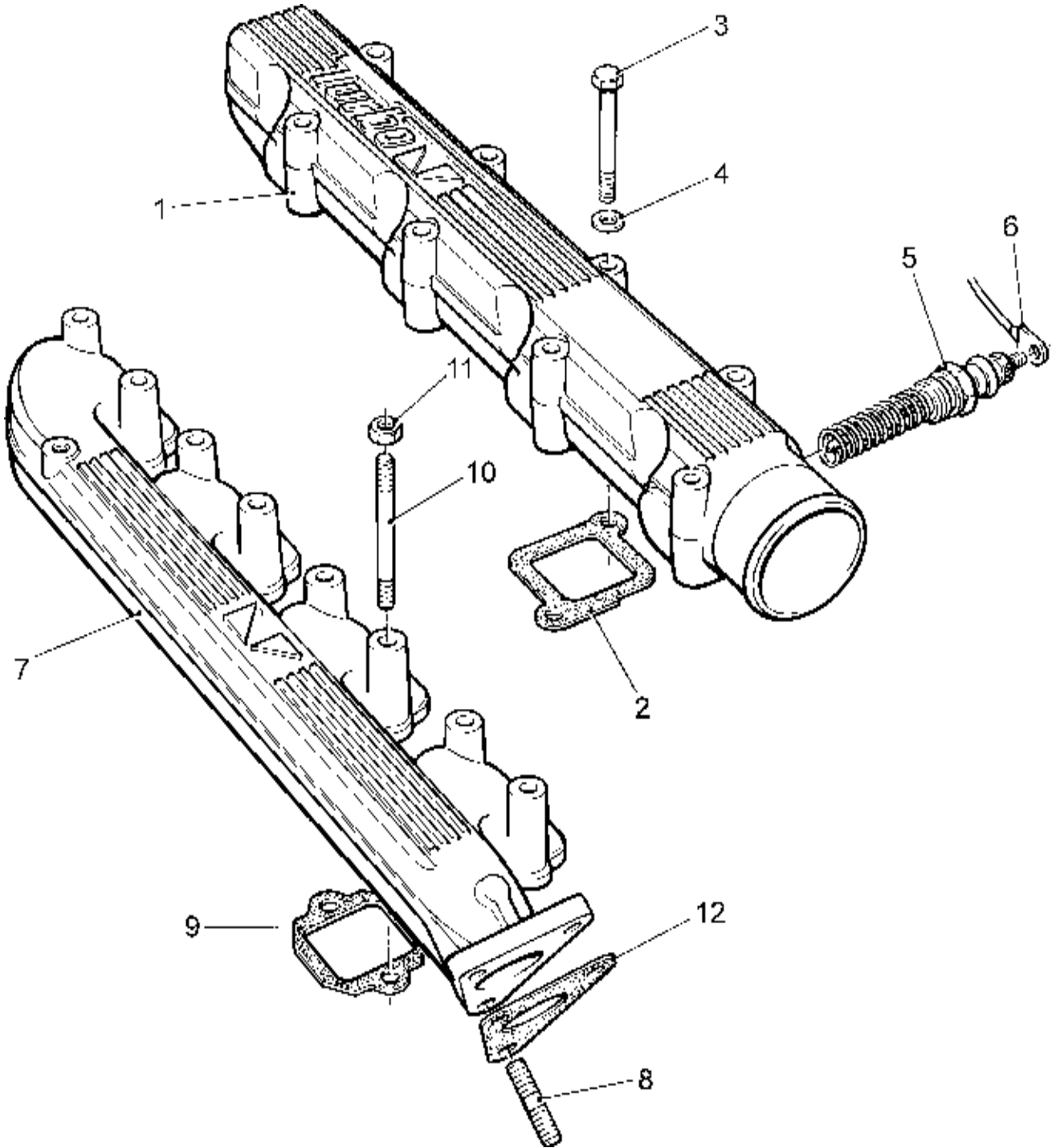
Manifolds - LPW, LPWS

For water cooled manifolds refer to 'Section 2. Accessories'

Illustration LP10 Description	Part Number	Cylinders			Remarks
		2	3	4	
1 Inlet manifold		1	1	1	See 'Inlet Manifold Profiles'.
2 Inlet manifold restrictor	751-17230	1	1	1	Build 41
- Restrictor transfer - LPW	601-42260	1	1	1	Build 41
- Restrictor transfer - LPWS	601-34900	1	1	1	Build 41
3 Inlet manifold joint	751-11121	4	6	8	One each side of the cowling
4 Bolt - M6 x 75mm	272-00729	4	6	8	Replaces 272-00178
5 Washer	272-00364	4	6	8	
- Washer - zinc plated	272-00688	4	6	8	Builds 40, 42, 43, 45, 47, 48
6 Exhaust manifold		1	1	1	See 'Exhaust Manifold Profiles'.
- Expansion plug	351-41510	1	1	1	Builds 40, 42, 45, 47, 48
7 Exhaust manifold joint	751-10103	2	3	4	Replaces 751-10102
8 Bolt	272-00729	4	6	8	Replaces Stud 272-00652
- Bolt - M6 x 85mm	272-00695	4	6	8	Replaces Stud 272-00357. Builds 40, 42, 43, 45 47, 48
9 Nut	272-00679	4	6	8	Builds 40, 42, 43, 45, 4,7 48
10 Setscrew - M8 x 8mm	272-00239	-	1	1	Replaces 272-00321
11 Washer	272-00715	-	1	1	
12 Heater plug	327523	1	1	1	
13 Cable assembly	757-15392	1	1	1	
14 Screw	272-00767	1	1	1	
- Cable tie	064-32790/001	1	1	1	
- Cable clip	382-08076	1	1	1	

Manifolds - LPWT4

Illustration LP171



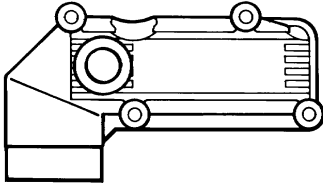
Manifolds - LPWT4

For water cooled manifolds refer to 'Section 2. Accessories'

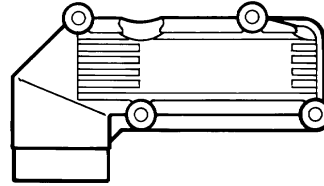
Illustration LP171

Description	Part Number	LPWT4	Remarks
1 Inlet manifold		1	See 'Inlet Manifold Profiles'.
2 Inlet manifold joint	751-11121	4	
3 Bolt - M6 x 75mm	272-00729	8	Replaces 272-00178
4 Washer	272-00364	8	
5 Heater plug	363102	1	
6 Cable assembly	757-26430	1	
- Exhaust manifold		1	See 'Exhaust Manifold Profiles'.
7 Manifold	754-42270	1	
8 Stud	272-00266	1	
9 Exhaust manifold joint	754-42640	4	
10 Bolt	272-00670	8	Replaces stud 272-00769
11 Nut	272-00003	8	
12 Joint	754-42320	1	

Inlet Manifold Profiles - LPW2, LPWS2

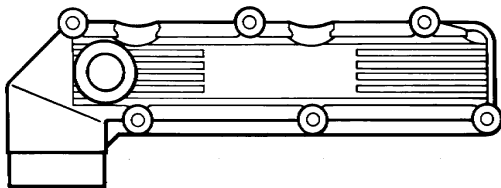


752-10632 - LPW2
Builds 40 42 45 44 46

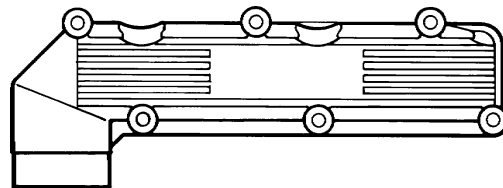


752-10631 - LPW/LPWS2
LPW Build 47
LPWS Builds 40 42 44 45 46 47

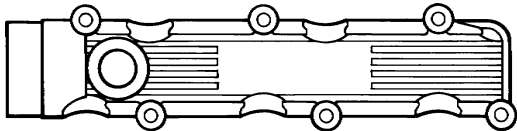
Inlet Manifold Profiles - LPW3, LPWS3



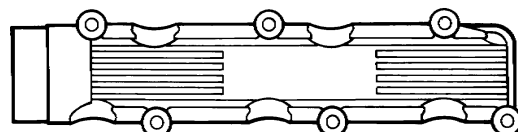
753-10632 - LPW3
Builds 40 41 42 44 45 46



753-10631 - LPW/LPWS3
LPW Build 47
LPWS Builds 40 41 42 43 44 45 46 47

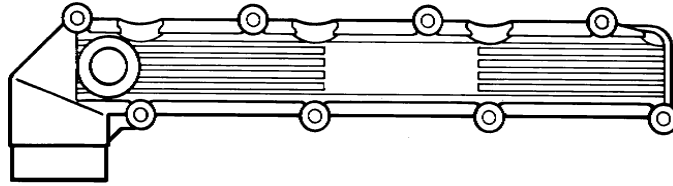


753-13491 - LPW3
Early Build 48

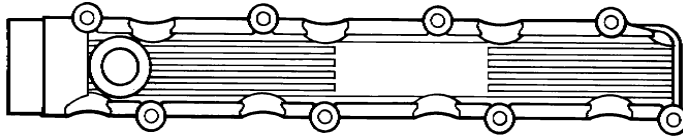


753-13490 - LPWS3
Build 48

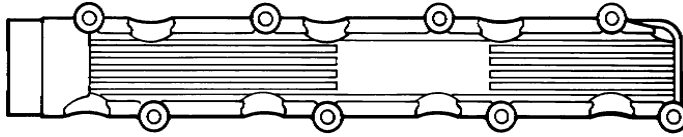
Inlet Manifold Profiles - LPW4, LPWS4



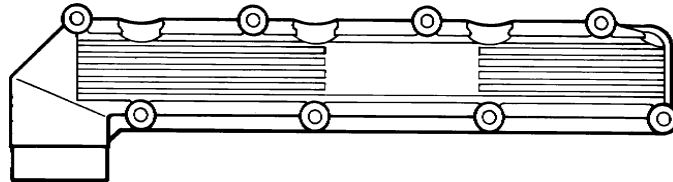
754-10632 - LPW/LPWS4
LPW Builds 40 41 42 44 45 46



754-13491 - LPW4
Early Build 48

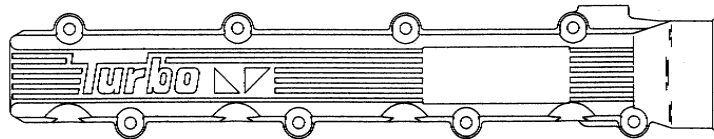


754-13490 - LPW/LPWS4
Build 48



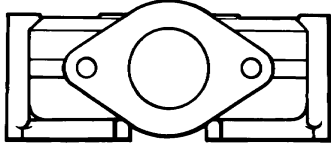
754-10631 - LPW/LPWS4
LPW Build 47
LPWS Builds 40 41 42 43 44 45 46 47

Inlet Manifold Profile - LPWT4



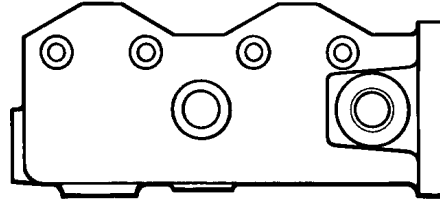
754-42730
LPWT4 - All Builds

Exhaust Manifold Profiles - LPW, LPWS2



752-10652 - LPW/LPWS2

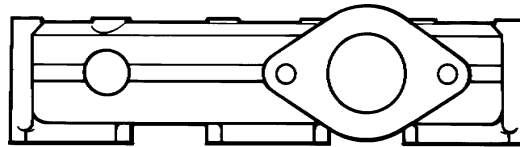
LPW Builds 44 46
LPWS Builds 44 46



752-60170 - LPW/LPWS2

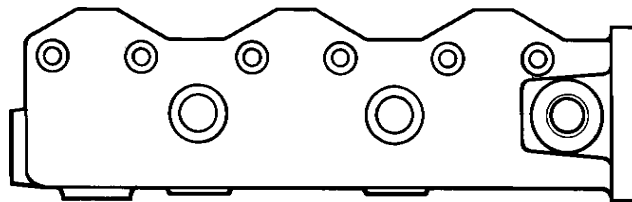
LPW/LPWS Builds 40 42 45 47

Exhaust Manifold Profiles - LPW3, LPWS3



753-10652 - LPW/LPWS3

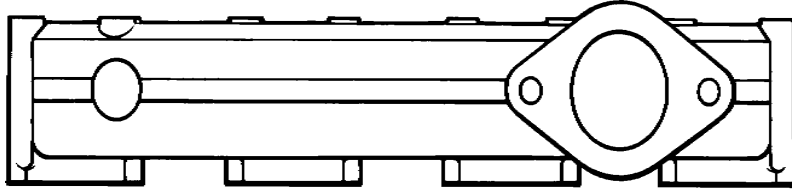
LPW Builds 41 44 46
LPWS Builds 41 43 44 46



753-60170 - LPW/LPWS3

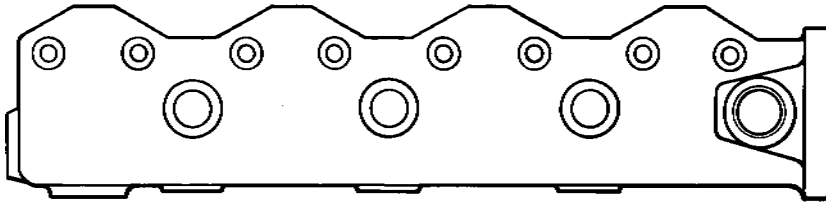
LPW Builds 40 42 45 47 48
LPWS Builds 40 42 45 47

Exhaust Manifold Profiles - LPW4, LPWS4



754-10652 - LPW/LPWS4

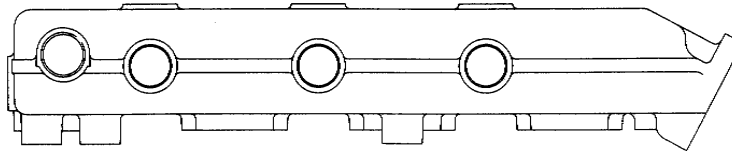
LPW Builds 41 44 46
LPWS Builds 41 43 44 46



754-60170 - LPW/S4

LPW Builds 40 42 45 47 48
LPWS Builds 40 42 45 47

Exhaust Manifold Profile - LPWT4

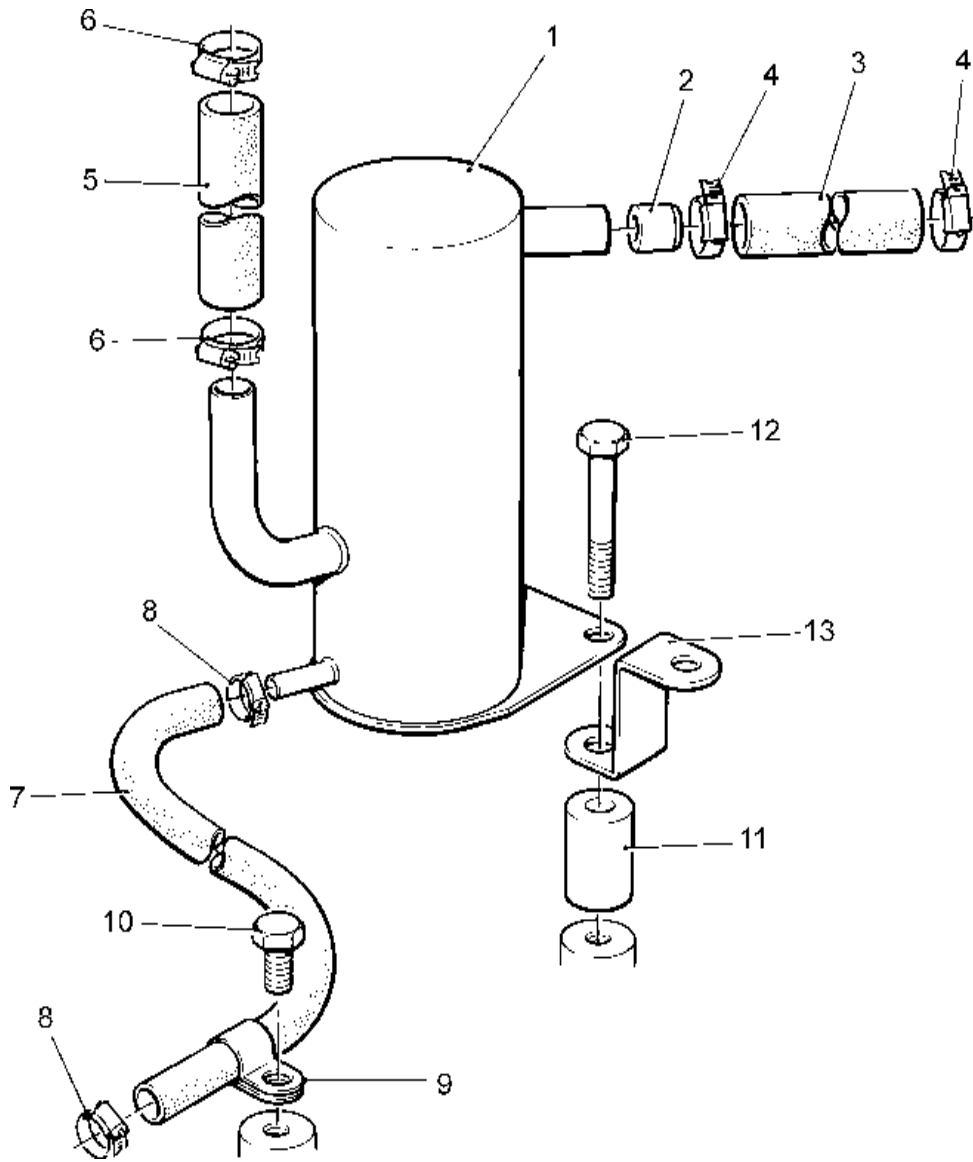


754-60210

Builds 40, 42

Crankcase Breather - LPWT4

Illustration LP174



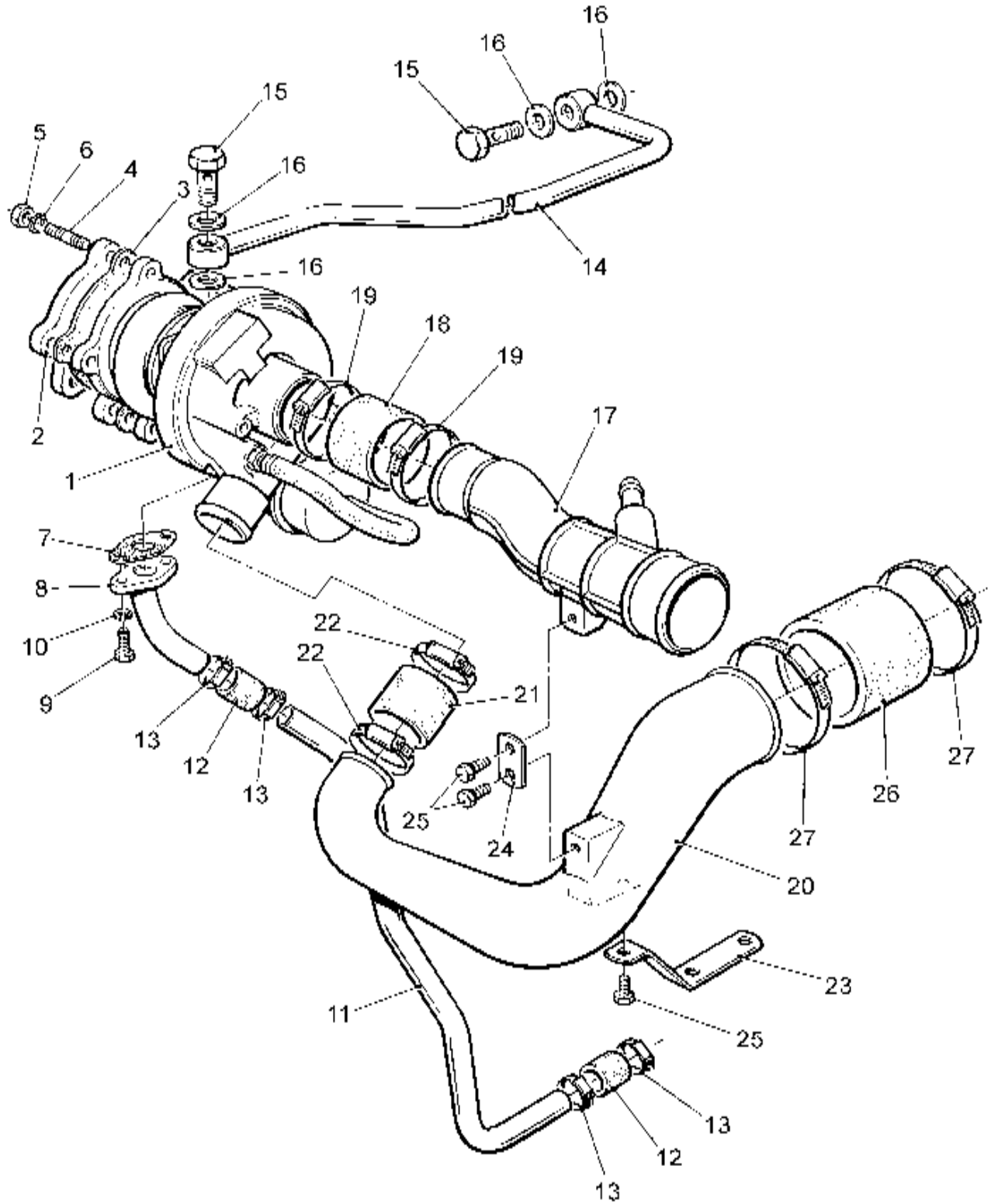
Crankcase Breather - LPWT4

Illustration LP174

No.	Description	Part Number	LPWT4	Remarks
1	Breather	754-42901	1	
2	Restrictor	754-42970	1	No longer fitted on Builds 40-44, and 46
3	Outlet hose	754-43010	1	
4	Hose clip	027-07987	2	
5	Inlet hose	754-43001	1	
6	Hose clip	751-44560	3	
7	Drain hose	754-42990	1	
8	Hose clip	751-13390	2	
9	Cable clip	382-08964	1	
10	Screw	272-00239	1	
11	Spacer	754-43910	2	
12	Bolt	272-00169	2	
13	Bracket	754-42330	1	

Turbocharger - LPWT4

Illustration LP172



Turbocharger - LPWT4

Illustration LP172

No.	Description	Part Number	LPWT4	Remarks
-	Turbocharger assembly	750-42590	1	
1	Turbocharger	754-42310	1	
2	Side outlet	757-25291	1	
3	Flange joint	754-42531	1	
4	Stud - M8 x 35mm	272-00266	2	
-	Stud - M8 x 30mm	272-00108	4	Replaces 272-00266
5	Nut	272-00003	4	
6	Spring washer	272-00071	4	
7	Joint	754-42240	1	
8	Oil drain pipe	754-42200	1	
9	Screw	272-00034	2	Replaces 272-00032 & 272-00033
10	Spring washer	272-00070	2	
11	Oil drain pipe	754-43840	1	
12	Hose	754-42610	2	
13	Hose clip	027-07987	4	Replaces 027-07929
14	Oil feed pipe	754-42413	1	
15	Plug	754-43890	2	
16	Seal	031-68785	4	
17	Air inlet pipe	754-42810	1	
18	Hose	754-43930	1	
19	Hose clip	027-04233	2	
20	Air outlet pipe	754-42160	1	
21	Hose	754-42850	1	
22	Hose clip	027-04231	2	
23	Bracket	754-42330	1	
24	Stay	754-42802	1	
25	Taptight screw	757-15380	3	
26	Hose	396-43120	1	
27	Hose clip	027-04235	2	

Turbocharger Lagging

Not Illustrated
Description

Description	Part Number	LPWT4	Remarks
Accessory Kit Code MGQ	754-44230	1	

SECTION 2

ACCESSORIES

Introduction

This section lists accessories for LPW, LPWT and LPWS Marine Builds.

Tables A to C give the accessory kit codes with brief details of the kit and the page number. Some industrial engine accessories are also common to marine engines and therefore may have been fitted. A list of these kit codes is given in 'Compatible Industrial Accessory Kits - Table D'.

Those kit codes in the 'Accessory Kit Details' tables that are shown with underlined, italic type are no longer available as a kit but have been included for reference.

Details of some of these kits do not appear in the listings.

Accessory Kit Details

Table A

Kit Code	Description of Kit	Page
MAA	Air cleaner with foam element	2.8
MAB	Air cleaner with foam element	2.8
MDA	Heat exchanger - Hurth gearbox	2.17-2.21
MDB	Heat exchanger - Newage PRM150, PRM260 gearbox	2.31-2.35
<u>MDC</u>	Water inlet	2.11
<u>MDD</u>	Water outlet	2.11
MDF	Keel cooling - Hurth gearbox	2.43
MDG	Keel cooling - Newage Delta gearbox	2.45
MDH	Keel cooling - Newage PRM 160 gearbox	2.47
MDI	Heat exchanger cooling to suit dry exhaust manifold	
MDM	Calorifier connection	2.50
MDN	Calorifier connection - keel cooling	2.50
MEA	Starter motor - insulated return	2.51
MEG	Starter motor - insulated return	2.51
MEB	Starter motor - earth return	2.52
MEC	Starter motor - earth return	2.52
MED	Alternator - 70A	2.53
<u>MEE</u>	Alternator - 12v insulated return	
MEF	Alternator - 55A 12v insulated return. Use with Industrial Accessory Code EK	
MEK	Auxiliary alternator - 55A insulated return. Use with Industrial Accessory Code EK	2.55
MEL	Auxiliary alternator - 100A earth return	2.55
MEM	Auxiliary alternator - 55A insulated return. Use with Industrial Code EL	2.55
<u>MEN</u>	Battery leads	2.57
<u>MEO</u>	Bilge pump	2.56
MFC	Flexible fuel connections	2.58
MFD	Steel fuel supply and leak-off pipes	2.58
JA	Energised to run fuel control solenoid	260
MFG	Remote fuel filter	2.57
MGQ	Lagging for turbocharger	1.59
MHI	Heat exchanger for use with dry exhaust manifold	2.11
MJC	Engine temperature switch	2.61
MJM	Oil pressure switch and gauge sender. Use with Deluxe start panel	2.61
MJN	Engine temperature switch and gauge sender. Use with Deluxe start panel	2.61
<u>MKA</u>	Control cable - 2m	2.64
MKB	Control cable - 3m. Use with MKH/MKI	2.64
<u>MKC</u>	Control cable - 4m	2.64
<u>MKD</u>	Control cable - 5m	2.64
MKE	Remote stop cable	2.64
<u>MKF</u>	Control head - motor boat	2.64
<u>MKG</u>	Control head - sail boat	2.64

Accessory Kit Details

Table B

Kit Code	Description of kit	Page
MFG	Remote fuel filter	2.57
MGQ	Lagging for turbocharger	1.59
MJM	Oil pressure switch and gauge sender. Use with Deluxe start panel	2.61
MJN	Engine temperature switch and gauge sender. Use with Deluxe start panel	2.61
<u>MKA</u>	Control cable - 2m	2.64
MKB	Control cable - 3m. Use with MKH/MKI	2.64
<u>MKC</u>	Control cable - 4m	2.64
<u>MKD</u>	Control cable - 5m	2.64
MKE	Remote stop cable	2.64
<u>MKF</u>	Control head - motor boat	2.64
<u>MKG</u>	Control head - sail boat	2.64
MKH	Engine fittings for speed control fittings and fuel control solenoid	2.63
MKI	Engine fittings for speed control and stopping control fittings	2.63
MLD	Sump drain pump - flywheel end	2.67
MLF	Sump drain pump - gear end	2.67
MMW	Water cooled manifold	2.9-2.10
<u>MNB</u>	Dry exhaust bellows	2.69
<u>MNC</u>	Dry silencer	2.69
<u>MND</u>	Dry skin fittings	2.71
MNE	Dry exhaust flange - use with MNW	2.71
<u>MNG</u>	Wet exhaust pipe	2.71
<u>MNH</u>	Wet exhaust silencer	2.69
<u>MNI</u>	Wet exhaust skin fitting	2.71
<u>MNJ</u>	Wet exhaust - rubber	2.71
MNK	Water injected exhaust bend - for use with heat exchanger and Code MMW	2.73
MQB	Gear end bearers - wide	2.75
MQC	Gear end bearers - narrow	2.75
MQD	Flywheel end bearers - wide, not for use with Codes MVK, MVL	2.75
MQE	Flywheel end bearers - narrow	2.75
MQF	Flywheel end bearers - use with Codes MVK, MVL	2.75
MQG	Anti- vibration mountings - standard	2.77
MQH	Anti- vibration mountings - deluxe, pleasure and workboat installations	2.77
MQI	Anti- vibration mountings - deluxe, canal boat installations	2.77
MSA	Tool kit	2.105

Accessory Kit Details

Table C

Kit Code	Description of kit	Page
MVA	Gearbox - Hurth HBW50 2.05:1 adaptor and drive member	2.82
MVB	Gearbox - Hurth HBW100 1.79:1 with adaptor and drive member	2.82
MVC	Gearbox - Hurth HBW125 2.14:1 with adaptor and drive member	2.82
MVD	Gearbox - Hurth HBW150 1.88:1 with adaptor and drive member	2.82-2.83
MVE	Gearbox - Hurth HBW100 2.72:1 adaptor and drive member	2.82
MVF	Gearbox - Hurth HBW125 2.63:1 with adaptor and drive member	2.82
MVG	Gearbox - Newage PRM150 D2 2.09:1 with adaptor and drive member	2.91
MVH	Gearbox - Newage PRM150 D3 2.82:1 with adaptor and drive member	2.91
MVJ	Gearbox - Hurth HBW150A 2:1 with adaptor and drive member	2.83
MVK	Gearbox - Newage PRM260 D2 1.96:1 with adaptor and drive member	2.92
MVL	Gearbox - Newage PRM260 D3 2.94:1 with adaptor and drive member	2.92
MVN	Gearbox - Hurth HBW250 2:1 with adaptor and drive member	2.83
MVO	Gearbox - Hurth HBW250 3:1 with adaptor and drive member	2.83
MVP	Adaptor and drive member for Hurth or Borg Warner 500 Series gearbox	2.81
MVQ	Adaptor and drive member for Newage PRM150 gearbox	2.81
MVR	Adaptor and drive member for Newage PRM260 gearbox	2.81
MVS	Adaptor for Hurth HBW250 gearbox	2.81
MX	Selva Saildrive kit	2.93
MWE	Starter solenoid - insulated return	2.103
<u>MWF</u>	Earth return wiring harness. Replaced by Code MWH	2.99
MWH	Earth return wiring harness and remote relay box for Mitsubishi alternator (4m extension)	2.100
MWI	Insulated return wiring and remote mounted relay box	2.101
MWJ	Wiring for harness - for fuel control solenoid	2.102
MWK	Extension loom - 4m	2.102
MWL	Basic electric start/alarm panel - use with Codes JG and JL	
MWM	Standard electric start panel - sail/work boat - use with Codes JG and JL and use with EJ for the correct speed ratio	
MWN	Deluxe electric start panel - sail/work boat engine - use with Codes MJM and MJN and use with EJ for the correct speed ratio	
MWQ	Standard electric start panel - sail/work boat - use with Codes JG and JL and use with Code EK for the correct speed ratio	
MWR	Deluxe electric start panel - sail/work boat - use with Codes MJM and MJN and use with Code EK for the correct speed ratio	
MWS	Earthing solenoid - gives insulated return with Codes EB or EC if Code MWI is not fitted	2.101
MWT	Basic electric start panel	2.98
MWU	Standard electric start panel	2.98
MWV	De Luxe electric start panel	2.98
MX	Loose life boat parts - Build 48	
MYA	Coupling - pilot bored	2.79
<u>MYB</u>	Coupling - split boss	2.79
<u>MYC</u>	Stern gear - 1500mm 2:1	2.79
<u>MYD</u>	Stern gear - 2000mm 2:1	2.79
MYG	Flexible coupling disc - for Hurth HBW gearboxes - use with Code MYA	2.79
<u>MYH</u>	Coupling - split boss	2.79
<u>MYI</u>	Coupling - Uniflex 25mm diameter	2.79
<u>MYL</u>	Coupling - Uniflex 12mm diameter	2.79
MYK	Flexible coupling disc - use with Code MYN	2.79
<u>MYM</u>	Coupling - pilot bored Uniflex	2.79
MYN	Half coupling - tailshaft - pilot bored use with Code MYK	2.79

Compatible Industrial Accessory Kits

Table D

Some industrial air cleaners and the following industrial accessory kits are also suitable for marine engines. These are not included in this manual but details can be obtained from the following:

- 'Master Parts Manual for LPW, LPWT and LPWS Industrial Engines'; part number P027-08041.
- From any Lister-Petter Distributer.
- From the Lister-Petter website
<http://www.lister-petter.co.uk>

BA	BC	BZ	CB	CH	CY	CZ	DA	DB	EB	EC	ED	EJ	EK	EL	GA	JA	JB
JG	JI	JK	JL	JN	LA	LB	LD	LE	LG	LK	LN	MA	ME	MF	MS	NF	NG
NK	PI	UC	UE	WJ	XA												

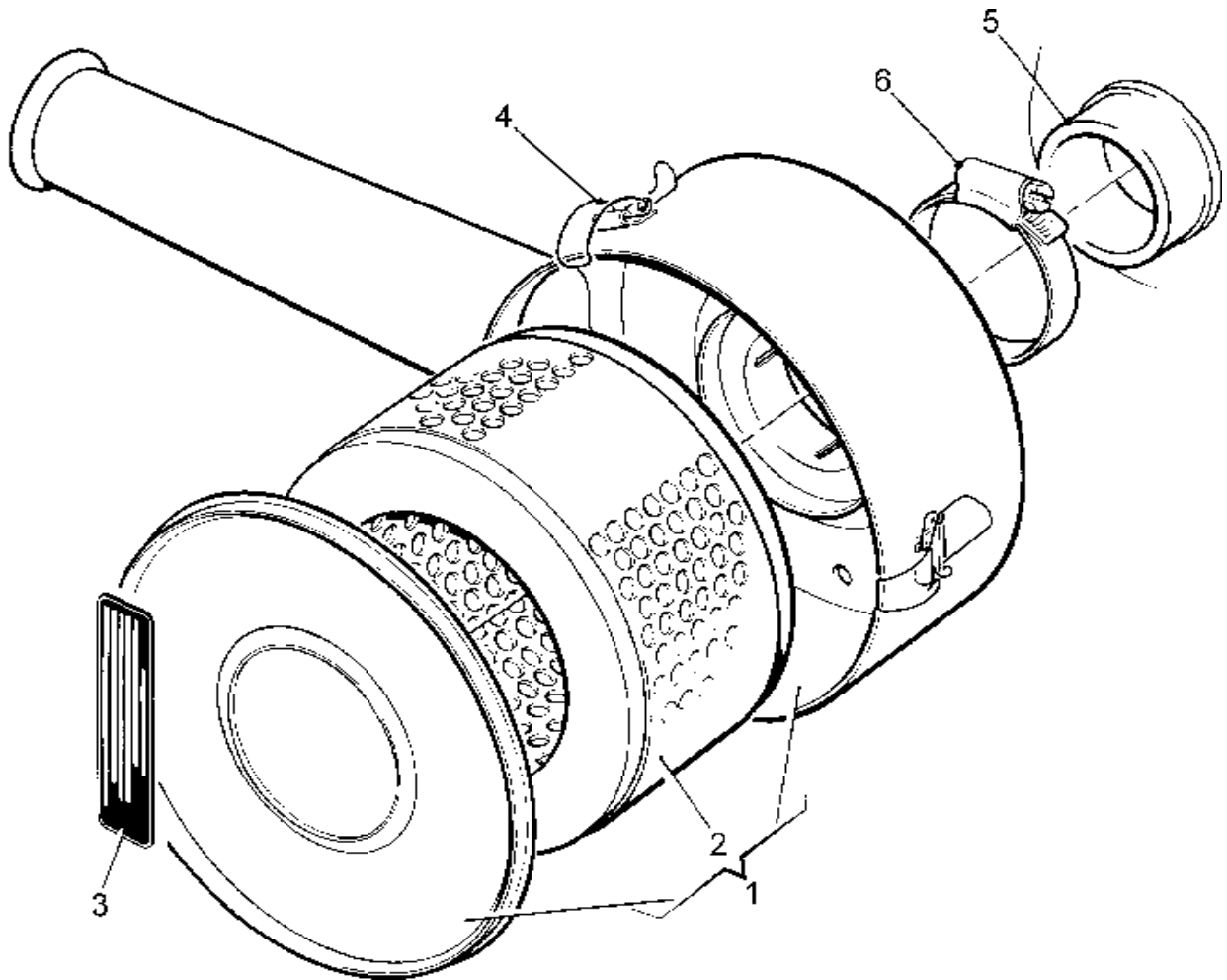
Air Cleaner

Medium duty foam element

Illustration T184

Description	Part Number	Cylinders			Remarks
		2	3	4	
Accessory Kit Code MAA - LPW/LPWS2,3	750-62350	1	1	-	LPW/LPWS2 all speeds and on LPW/LPWS3 up to 1800r/min
Accessory Kit Code MAB - LPW/LPWS2,3,4	570-31391	1	1	1	LPW/LPWS3 above 1801r/min and on LPW/LPWS4 all speeds
Accessory Kit Code MAB - LPWT4	750-63560	-	-	1	
1 Air cleaner	366-07187	1	1	1	Accessory Code MAB
- Air cleaner	757-60730	1	1	-	Accessory Code MAA
2 Element	366-07189	1	1	1	
3 Maintenance transfer	366-06844	1	1	1	Accessory Code MAB
- Maintenance transfer	366-07218	1	1	-	Accessory Code MAA
4 Clip	365250	1	1	1	
5 Sleeve	366-08094	1	1	1	
6 Hose clip	027-04234	1	1	1	
- Hose - LPWT4	366-05870	-	-	1	Accessory Code MAB
- Hose Clip - LPWT4	027-04692	-	-	2	Accessory Code MAB

Illustration T184

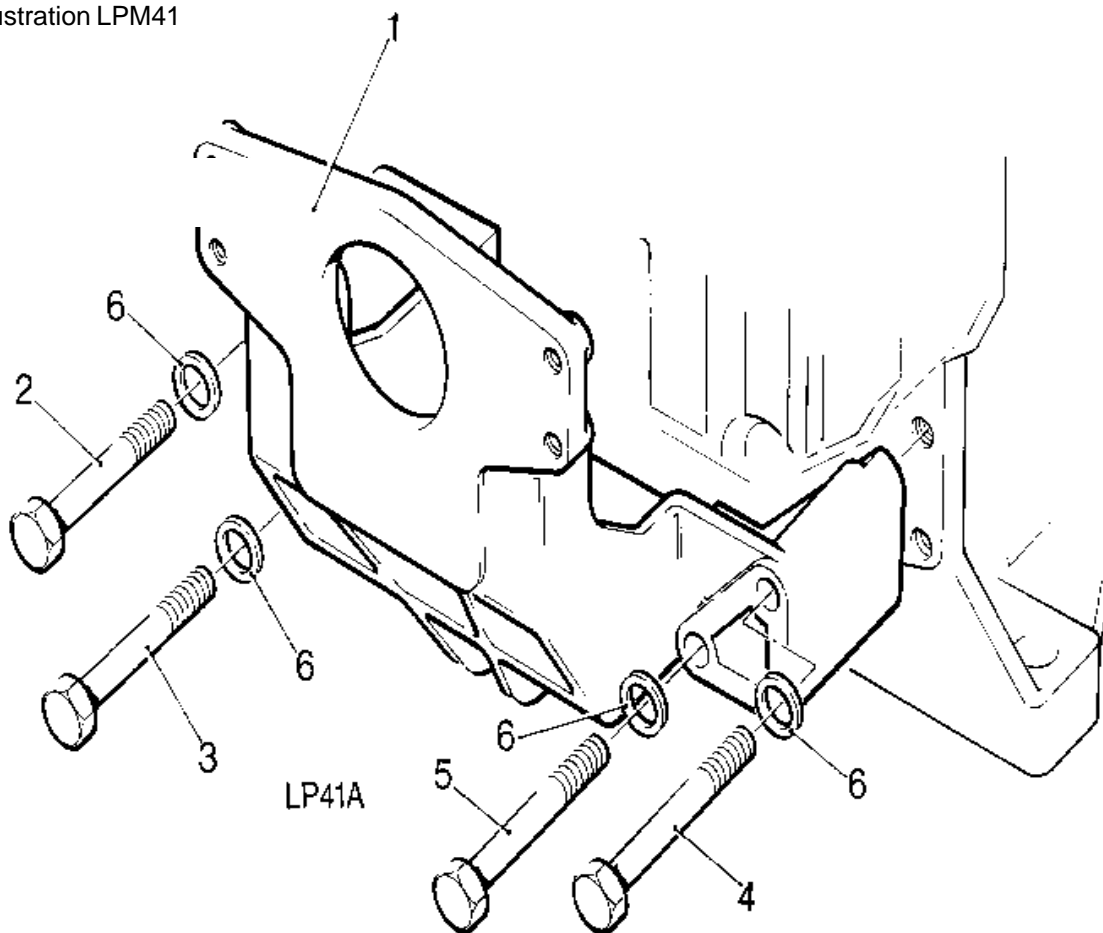


Water Cooled Manifold and Thermostat - LPW, LPWS

Illustration LPM41 Description	Part Number	Cylinders			Remarks
		2	3	4	
Accessory Kit Code MMW - LPW/LPWS2	750-62120	1	-	-	
Accessory Kit Code MMW - LPW/LPWS3	750-62110	-	1	-	
Accessory Kit Code MMW - LPW/LPWS4	750-62100	-	-	1	
1 Stud	272-00357	4	6	8	
2 Exhaust manifold joint	751-10103	2	3	4	
3 Exhaust manifold assembly - LPW/LPWS2	752-60170	1	-	-	
- Exhaust manifold assembly - LPW/LPWS3	753-60170	-	1	-	
- Exhaust manifold assembly - LPW/LPWS4	754-60170	-	-	1	
- Expansion plug	351-41510	2	4	6	
4 Nut	272-00002	4	6	8	
5 Thermostat	803-02221	1	1	-	
- Thermostat	854-01222	-	-	1	
6 Thermostat seat joint	751-40281	1	1	1	

Note:
Accessory Code MMW is fitted as standard on Builds 40, 42, 45, 47 and 48.

Illustration LPM41

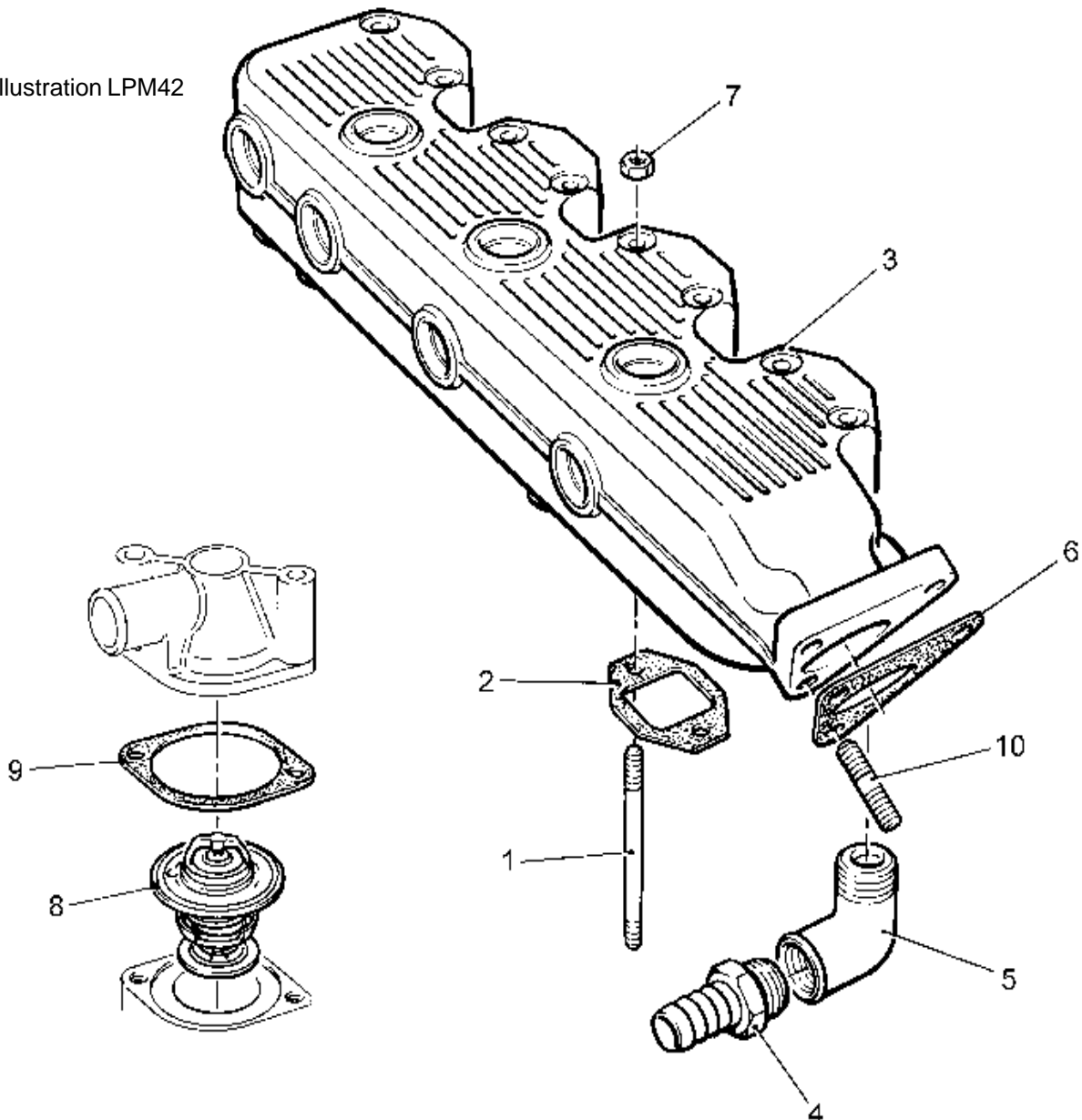


Water Cooled Manifold and Thermostat - LPWT4

Illustration LPM42

Description	Part Number	LPWT4	Remarks
Accessory Kit Code MMW - LPWT4	750-62101	1	
1 Stud - M6	272-00357	8	
2 Exhaust manifold joint	751-10103	4	
3 Exhaust manifold assembly	754-60210	1	
- Expansion plug	201-60080	6	Replaces 351-41510
4 Adaptor	757-61360	1	
5 Angled adaptor	757-61380	1	
6 Joint	754-42320	1	
7 Nut - M8	272-00680	8	
8 Thermostat	854-01222	1	
9 Thermostat seat joint	751-40281	1	
10 Stud - M8 x 35mm	272-00266	1	

Illustration LPM42

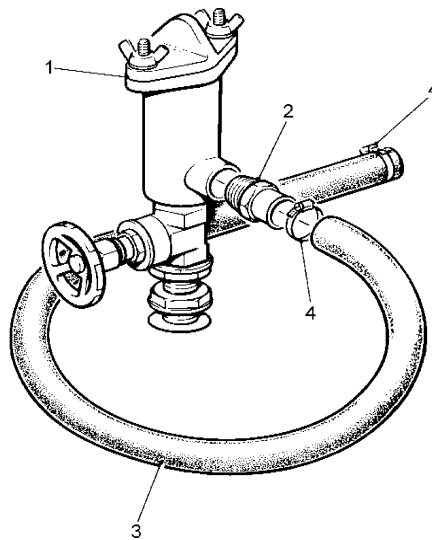


Water Inlet Kit

Illustration LPM9

No.	Description	Part Number	4 cylinder	Remarks
1	Seacock/strainer	360-03852	1	Replaces 360-03851
2	Pipe adaptor	362-03350	1	Replaces 362-03050
3	Hose	360-03869	1	Replaces 854-00926
4	Hose clip	027-04688	2	Replaces 027-04686

Illustration LPM9

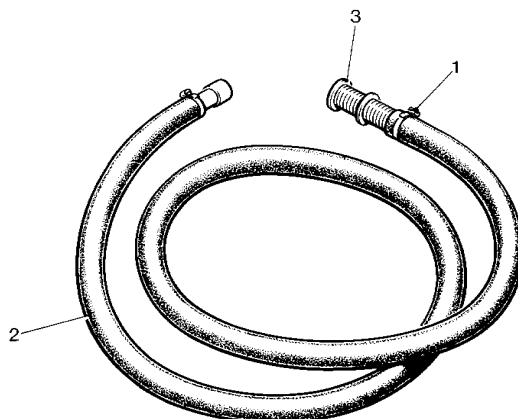


Water Outlet Kit

Illustration LPM10

No.	Description	Part Number	Cylinders			Remarks
			2	3	4	
-	Accessory Kit Code MDD	750-60130	1	1	1	
-	Accessory Kit Code MDD - LPWT4	750-63690	-	-	1	
1	Hose clip	027-04688	2	2	2	
2	Hose	360-03869	1	1	1	
3	Skin fitting	360-03873	1	1	1	
-	Connector - LPWT4	854-01142	-	-	1	

Illustration LPM10



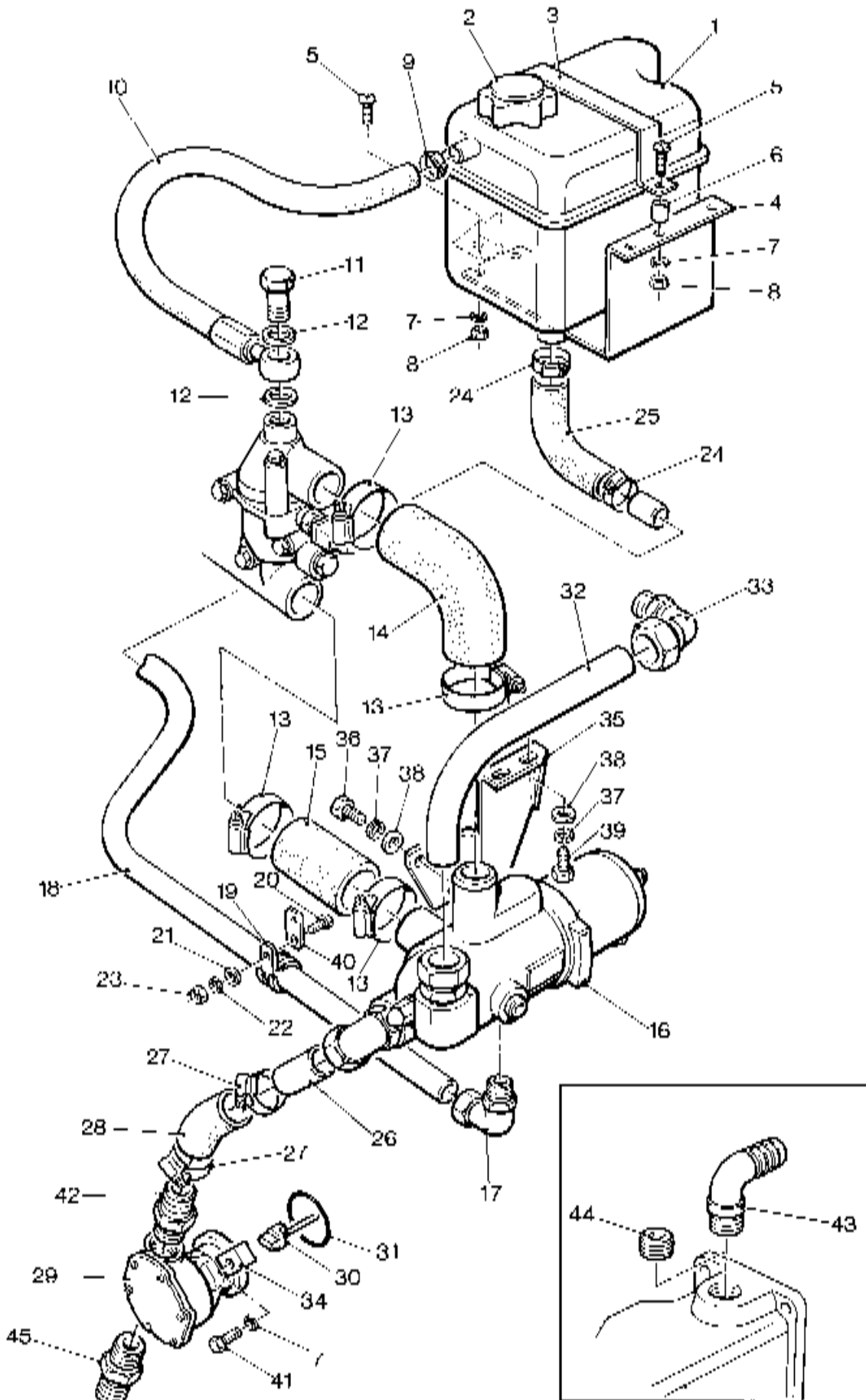
Heat Exchanger

Used with dry exhaust manifold

Not Illustrated Description	Part Number	Cylinders			Remarks
		2	3	4	
Accessory Kit Code MHI - LPW/LPWS2	750-62561	1	-	-	
Accessory Kit Code MHI - LPW/LPWS3	750-62571	-	1	-	
Accessory Kit Code MHI - LPW/LPWS4	750-62581	-	-	1	
Copper washer	013-22350	2	2	2	
Hose clip - 16/22mm	027-04686	2	2	2	
Hose clip - 22/30mm	027-04687	-	6	-	
Hose clip - 27/40mm	027-04688	-	4	-	
Hose clip	027-06262	2	2	2	
Copper washer	201-11890	1	1	1	
Swivel union plug	201-15400	1	1	1	
Spring washer	272-00360	1	3	1	
Setscrew	272-00625	1	1	1	
Bolt - M6 x 60mm	272-00658	1	1	1	
Setscrew - M6 x 16mm	272-00661	1	1	5	
Setscrew - M6 x 14mm	272-00664	5	2	2	
Setscrew - M8 x 20mm	272-00665	-	3	3	
Nut - M6	272-00679	2	2	2	
Nut - M8	272-00680	5	1	3	
Washer - M6	272-00688	2	2	2	
Washer - M8	272-00715	2	5	5	
Expansion tank	362-03323	1	1	1	
Expansion tank cap	362-03324	1	1	1	
Cable clip	382-08255	1	1	2	
Pipe clip	389-04686	2	3	3	
Heat exchanger assembly	750-62820	1	-	-	
Heat exchanger assembly	750-62830	-	1	-	
Heat exchanger assembly	750-62840	-	-	1	
Adaptor - water pipe	757-18641	1	1	1	
Bracket	757-23470		1		
Mounting bracket	757-62850	-	1	1	
Tube	757-60360	1	1	1	
Overflow pipe	757-60870	1	-	-	
Overflow pipe	757-60890	-	1	-	
Overflow pipe	757-60910	-	-	1	
Return Pipe	757-60940	1	-	-	
Return Pipe	757-60950	-	1	-	
Return Pipe	757-60970	-	-	1	
Hose	757-61370	1	1	1	
Angled adaptor	757-61380	-	-	1	
Plate	803-02189	-	1	1	
Hose	803-02225	1	1	1	
Hose elbow	803-02243	1	1	1	
Hose	854-00992	1	1	1	
Pipe	854-01191	-	-	1	
Hose	854-01227	1	1	1	

Heat Exchanger - LPW/ LPWS2,3

Illustration LPM11



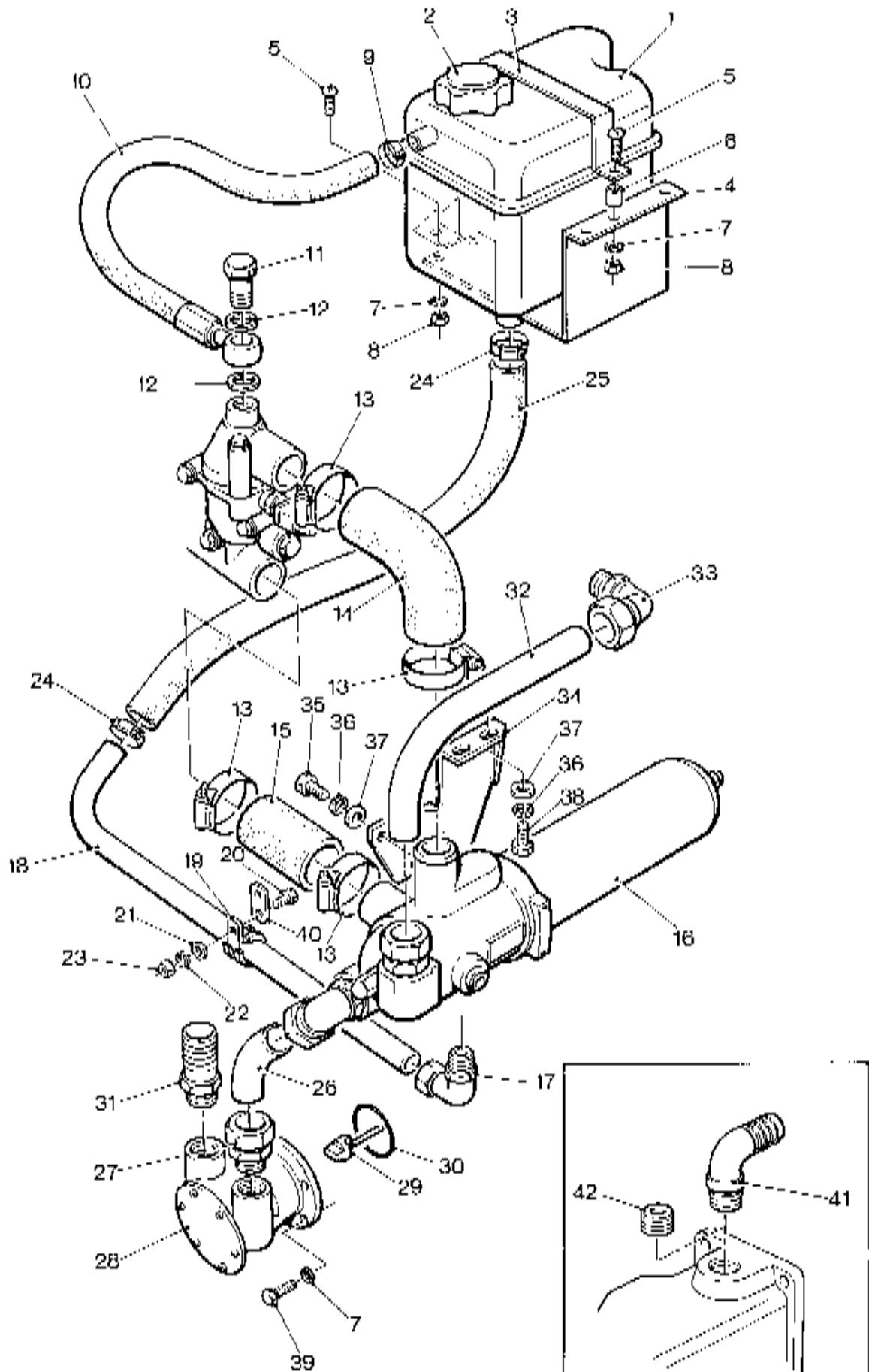
Heat Exchanger - LPW/ LPWS2,3

Early type - used with Hurth Gearbox

Illustration LPM11 No. Description	Part Number	Cylinders		Remarks
		2	3	
1 Expansion tank	362-03323	1	1	
2 Pressure cap	362-03324	1	1	
3 Strap	854-01167	1	1	
4 Mounting bracket	854-01159	1	1	
5 Setscrew	064-35576/043	4	4	
6 Spacer	803-02254	2	2	
7 Spring washer	272-00070	6	6	
8 Nut.....	272-00002	3	3	
9 Hose clip	027-06262	1	1	
10 Bleed-off hose	854-01194	1	1	
11 Swivel union plug.....	201-15400	1	1	
12 Copper washer	013-22350	2	2	
13 Hose clip	027-04688	2	2	
14 Hose elbow	803-02243	1	1	
15 Hose	854-01227	1	1	
16 Heat exchanger assembly - LPW/LPWS2	362-03355	1	-	
- Heat exchanger assembly - LPW/LPWS3	362-03352	-	1	
- Tube stack - LPW/LPWS2	606-22197/006	1	-	
- Tube stack - LPW/LPWS3	606-22197/005	-	1	
- Anode	606-22200/001	1	1	
- 'O' ring	606-22134/001	2	2	
- Bonded seal	606-22134/002	2	2	
- Dome nut.....	606-22147/001	2	2	
17 Stud elbow	362-03245	1	1	
18 Pipe - LPW/LPWS2	803-02191	1	-	
- Pipe - LPW/LPWS3	854-01230	-	1	
19 Pipe clip	389-04686	1	1	
20 Setscrew	272-00039	1	1	
21 Washer	064-35719	1	1	
22 Spring washer	272-00071	1	1	
23 Nut.....	272-00003	1	1	
24 Hose clip - LPW/LPWS2	027-04686	2	-	
- Hose clip - LPW/LPWS3	027-04687	-	2	
25 Hose - LPW/LPWS2	803-02266	1	-	
- Hose - LPW/LPWS3	854-01195	-	1	
26 Pipe	803-02184	1	1	
27 Hose clip	027-04686	2	2	
28 Hose	803-02185	1	1	
29 Water pump - LPW/LPWS2	803-02207	1	-	
- Water pump - LPW/LPWS3	803-02186	-	1	
- Repair kit	606-90221/003	1	1	
- Impellor	606-90165/003	1	1	
30 Coupling assembly	750-12250	1	1	
31 Sealing ring	362-03329	1	1	
32 Pipe	854-01192	1	1	
33 Elbow	362-03344	1	1	
34 Clamp	803-02182	2	2	
35 Bracket	854-01193	1	1	
36 Setscrew	272-00039	3	3	
37 Spring washer	272-00071	5	5	
38 Washer	064-35719	5	5	
39 Setscrew	272-00038	2	2	
40 Plate	803-02189	1	1	
41 Setscrew	272-00117	2	2	
42 Adaptor	362-03048	1	1	
43 Connector	362-03322	1	1	
44 Taper Plug	362-03337	2	2	
45 Adaptor	362-03047	1	1	

Heat Exchanger - LPW/LPWS4

Illustration LPM12



Heat Exchanger - LPW/LPWS4

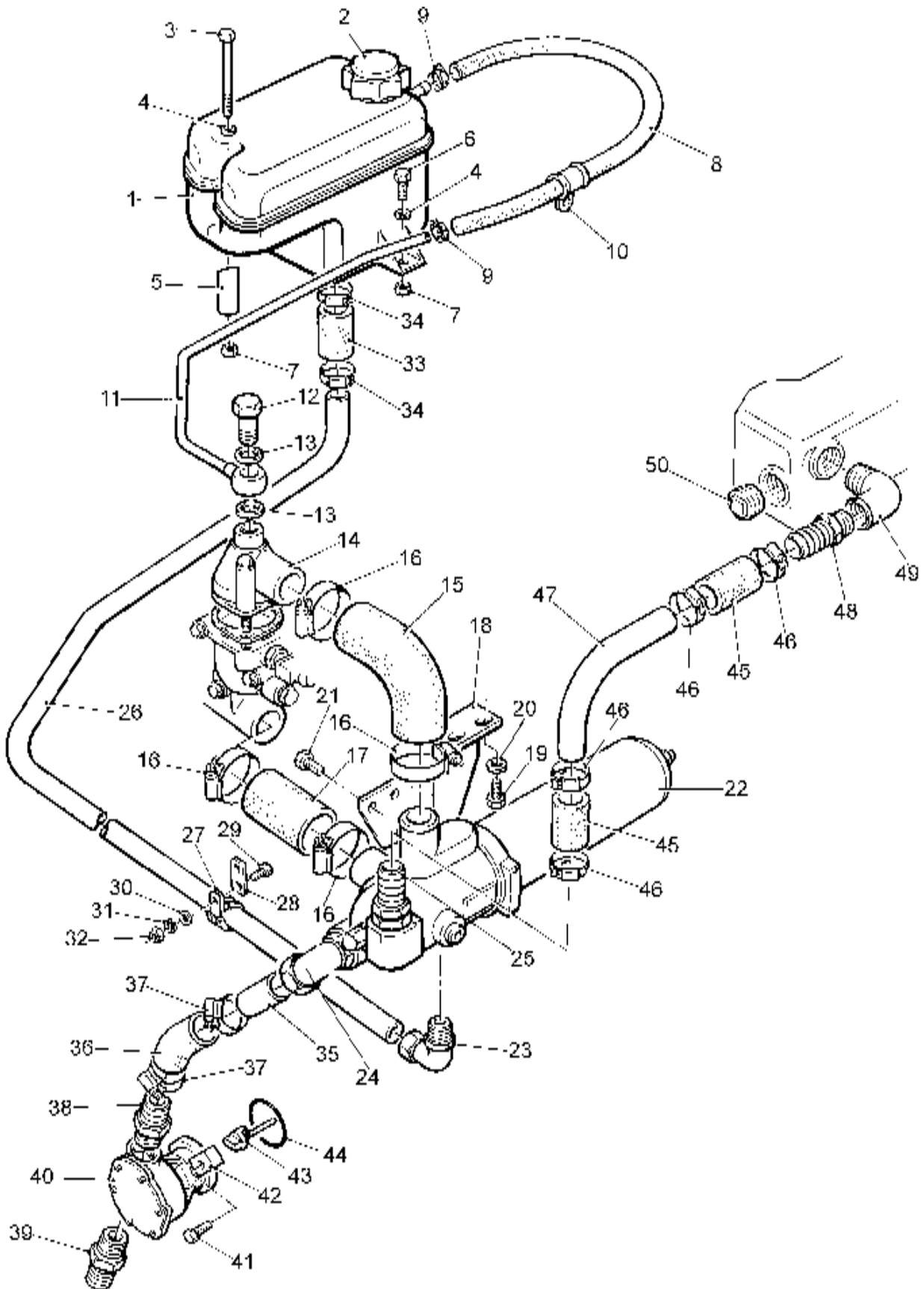
Early type - used with Hurth Gearbox

Illustration LPM12

No.	Description	Part Number	4 cylinder	Remarks
1	Expansion tank	362-03323	1	
2	Pressure cap	362-03324	1	
3	Strap	854-01167	1	
4	Mounting bracket	854-01159	1	
5	Screw	064-35576/043	4	
6	Spacer	803-02254	2	
7	Spring washer	272-00070	8	
8	Nut.....	272-00002	3	
9	Hose clip	027-06262	1	
10	Bleed-off hose	854-01194	1	
11	Swivel union plug	201-15400	1	
12	Copper washer	013-22350	2	
13	Hose clip	027-04688	4	
14	Hose elbow	803-02243	1	
15	Hose	854-01227	1	
16	Heat exchanger assembly	362-03351	1	
-	Tube stack.....	606-22197/004	1	
-	Anode	606-22200/001	1	
-	'O' ring	606-22134/001	2	
-	Bonded seal	606-22134/002	2	
-	Dome nut.....	606-22147/001	2	
17	Stud elbow	362-03245	1	
18	Pipe	854-01230	1	
19	Pipe clip	389-04686	1	
20	Setscrew	272-00039	1	
21	Washer	064-35719	1	
22	Spring washer	272-00071	1	
23	Nut.....	272-00003	1	
24	Hose clip	027-04687	2	
25	Hose	854-01195	1	
26	Pipe	854-01191	1	
27	Adaptor	362-03343	1	
28	Water pump	362-03357	1	
-	Repair kit	606-90221/004	1	
-	Impellor.....	606-90165/004	1	
29	Coupling assembly	750-12250	1	
30	Sealing ring	362-03329	1	
31	Adaptor	362-03350	1	
32	Pipe	854-01192	1	
33	Elbow	362-03344	1	
34	Bracket	854-01193	1	
35	Setscrew	272-00039	3	
36	Spring washer	272-00071	5	
37	Washer	064-35719	5	
38	Setscrew	272-00038	2	
39	Setscrew	272-00034	4	
40	Plate	803-02189	1	
41	Connector	362-03322	1	
42	Taper plug	362-03337	2	

Heat Exchanger - LPW/LPWS2,3

Illustration LPM46



Heat Exchanger - LPW/LPWS2,3

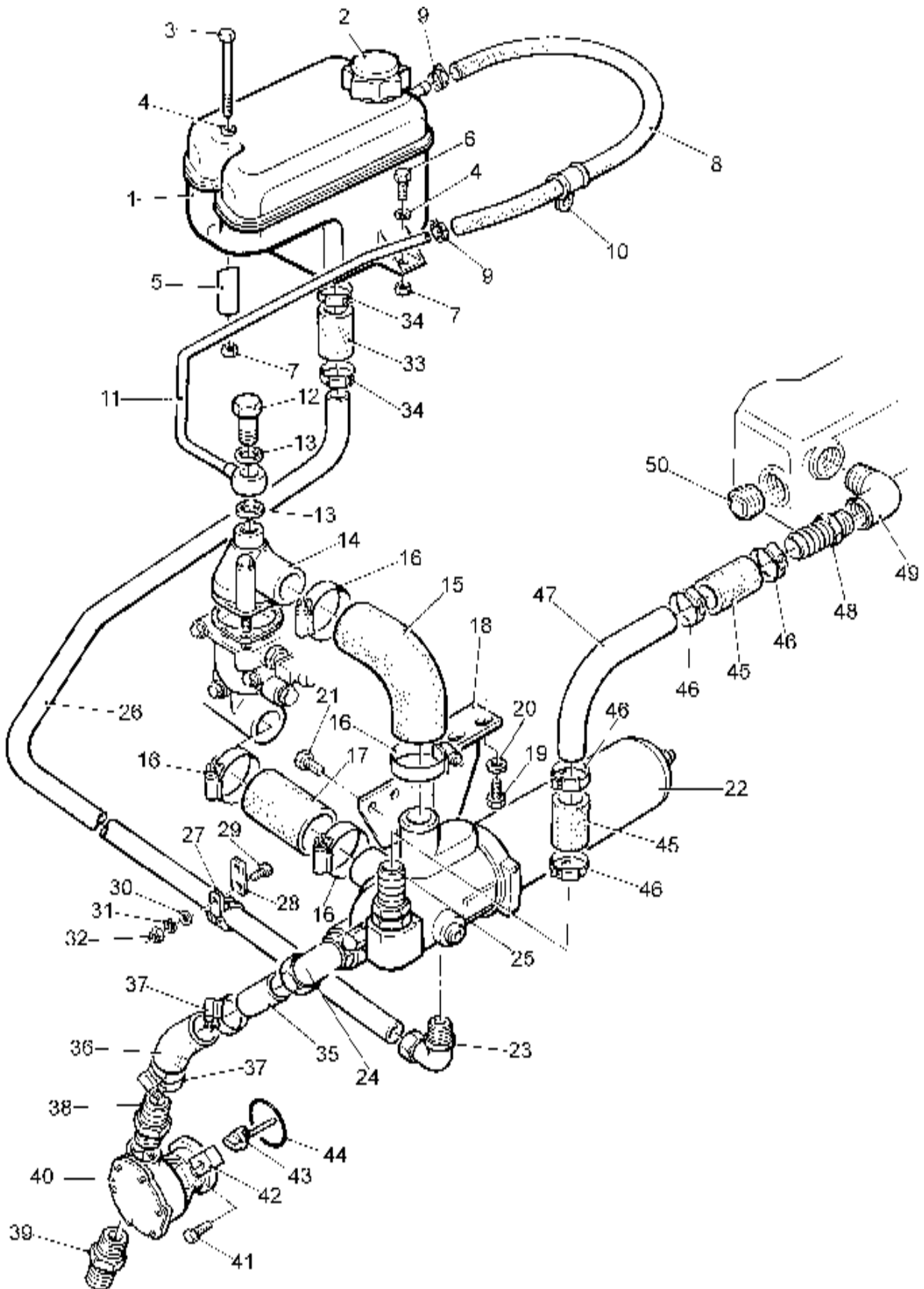
Later type - used with Hurth gearbox

Illustration No.	Description	Part Number	Cylinders		Remarks
			2	3	
	Accessory Kit Code MDA - LPW/LPWS2	750-62560	1	-	Replaces 750-60100
	Accessory Kit Code MDA - LPW/LPWS3	750-62570	-	1	Replaces 750-60790
1	Expansion tank	362-03323	1	1	
2	Pressure cap	362-03324	1	1	
3	Bolt - M6 x 60mm	272-00658	1	1	
4	Washer - M6	272-00688	2	2	
5	Spacer	757-60360	1	1	
6	Screw - M6 x 16mm	272-00661	1	1	
7	Self locking nut	272-00372	2	2	
8	Hose	803-02225	1	1	
9	Hose clip	027-06262	2	2	
10	Pipe clip	389-04686	1	1	
11	Overflow pipe - LPW/LPWS2	757-60870	1	-	
-	Overflow pipe - LPW/LPWS3	757-60890	-	1	
12	Swivel union plug	201-15400	1	1	
13	Copper washer	013-22350	2	2	
14	Thermostat cover	803-02271	1	1	
-	Thermostat seat joint	751-40281	1	1	
15	Hose elbow	803-02243	1	1	
16	Hose clip	027-04688	4	4	
17	Hose	854-01227	1	1	
18	Mounting bracket	757-62850	1	1	Replaces 757-61350
19	Screw - M8 x 14mm	272-00664	2	2	
20	Washer - M8	272-00715	2	2	
21	Screw	272-00665	3	3	
22	Heat exchanger assembly - LPW/LPWS2	750-62810	1	-	
-	Heat exchanger assembly - LPW/LPWS3	750-62820	-	1	
23	Stud elbow	362-03245	1	1	
24	Elbow	803-02183	1	1	
25	Adaptor	757-61360	1	1	
-	Tube stack - LPW/LPWS2	606-22197/006	1	-	
-	Tube stack - LPW/LPWS3	606-22197/005	-	1	
-	Anode	606-22200/001	1	1	
-	'O' ring	606-22134/001	4	4	
-	Bonded seal	606-22134/002	2	2	
-	Dome Nut	606-22147/001	2	2	
26	Return pipe - LPW/LPWS2	757-60940	1	-	
-	Return pipe - LPW/LPWS3	757-60950	-	1	
27	Pipe clip	389-04686	1	1	
28	Plate	803-02189	1	1	
29	Screw - M8 x 20mm	272-00665	1	1	
30	Washer - M8	272-00715	1	1	
31	Spring washer - M8	272-00360	1	1	
32	Nut - M8	272-00680	1	1	
33	Hose	854-00992	1	1	
34	Hose clip	027-04687	2	2	
35	Pipe	803-02184	1	1	
36	Hose	803-02185	1	1	
37	Hose clip	027-04686	2	2	
38	Adaptor	362-03048	1	1	
39	Adaptor	362-03047	1	1	

continued.....

Heat Exchanger - LPW/LPWS2,3

Illustration LPM46



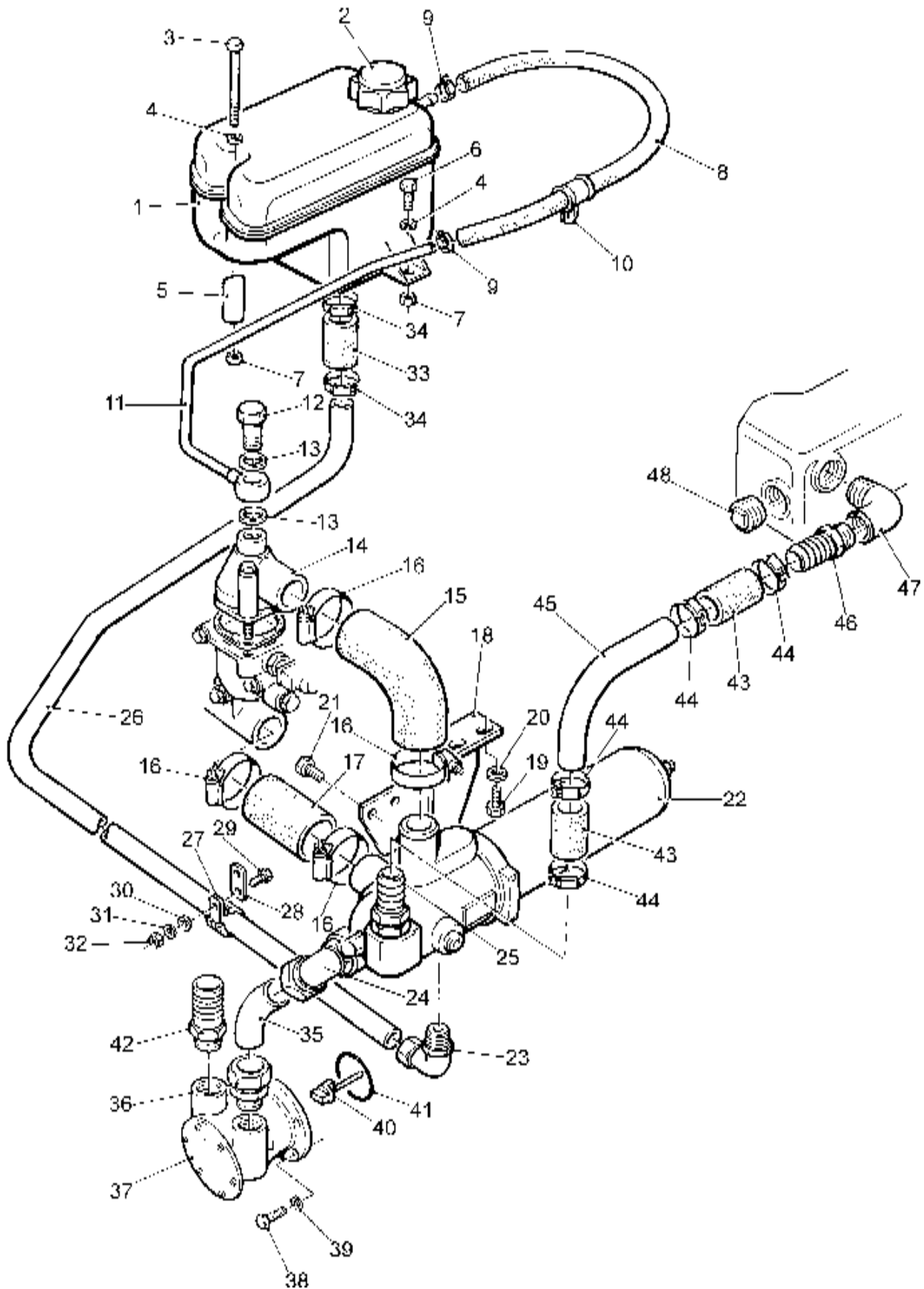
Heat Exchanger - LPW/LPWS2,3

Later type - used with Hurth gearbox

Illustration No.	LPM46 Description	Part Number	Cylinders		Remarks
			2	3	
40	Water pump - LPW/LPWS2	803-02207	1	-	
-	Water pump - LPW/LPWS3	803-02186	-	1	
-	Repair kit	606-90221/003	1	1	
-	Impellor	606-90165/003	1	1	
41	Screw	272-00661	4	4	
42	Clamp	803-02182	2	2	
43	Coupling assembly	750-12250	1	1	
44	Sealing ring	362-03329	1	1	
45	Hose	757-61471	2	2	Replaces 757-61470
46	Hose clip	027-04687	4	4	
47	Pipe	757-61670	1	1	
48	Adaptor	757-61360	1	1	
49	Angled adaptor	757-61380	1	1	
50	Taper plug	757-61641	2	2	Replaces 362-03337

Heat Exchanger - LPW/LPWS4 and LPWT4

Illustration LPWM47



Heat Exchanger - LPW/LPWS4 and LPWT4

Later type - used with Hurth gearbox

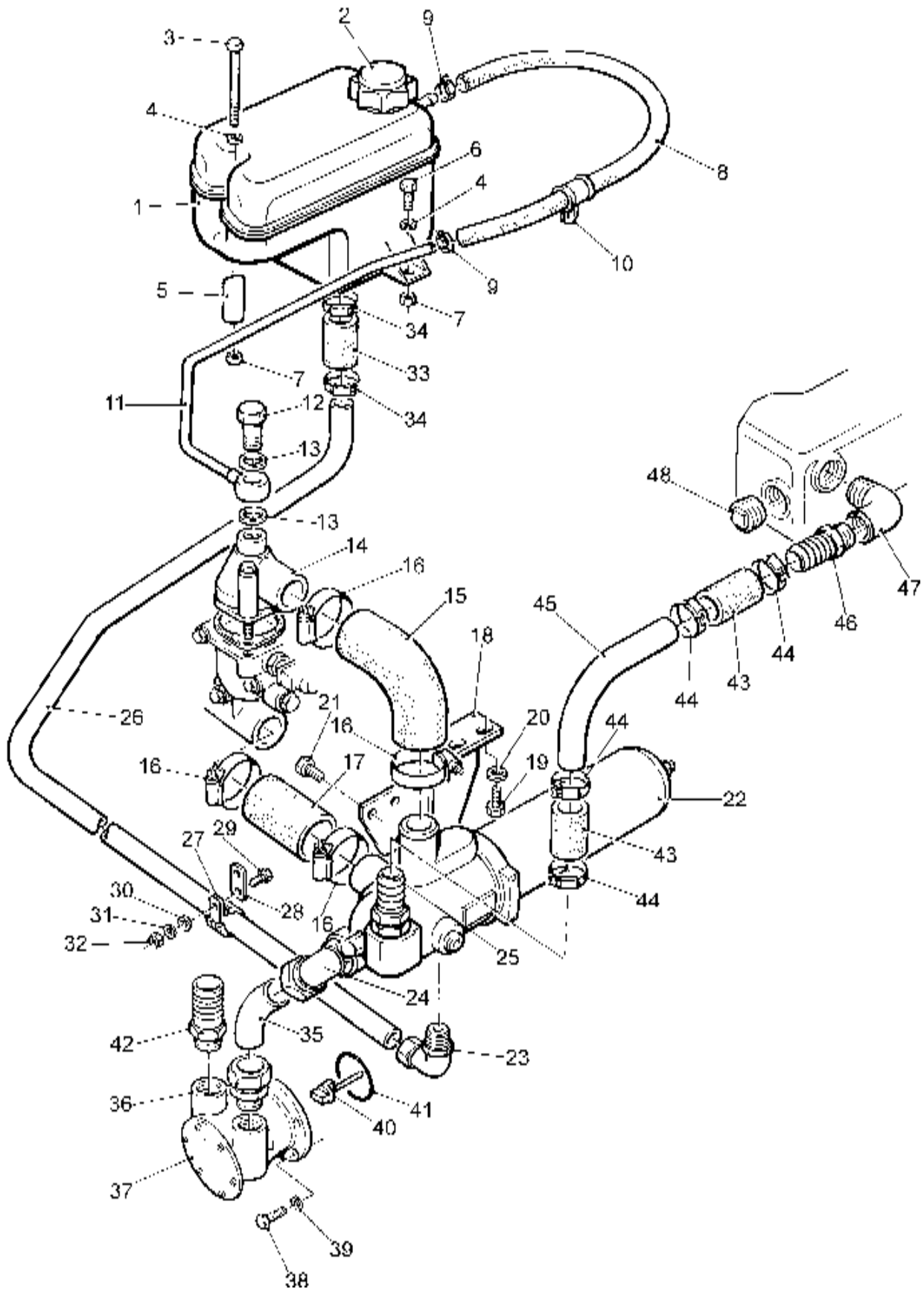
Illustration LPM47

No.	Description	Part Number	4 cylinder	Remarks
	Accessory Kit Code MDA - LPW/S4	750-62580	1	Replaces 750-61080
	Accessory Kit Code MDA - LPWT4	750-63570	1	
1	Expansion tank	362-03323	1	
2	Pressure cap	362-03324	1	
-	Bracket - LPWT4	757-62000	1	
3	Bolt - LPW/LPWS4	272-00658	1	
-	Bolt - LPWT4	272-00634	1	
4	Washer - M6	272-00688	2	
5	Spacer - LPW/S4	757-60360	1	
-	Spacer - LPWT4	757-61980	1	
6	Screw - M6 x 16mm	272-00661	1	
7	Self locking nut	272-00372	2	
8	Hose	803-02225	1	
9	Hose clip	027-06262	2	
10	Pipe clip	389-04686	1	
11	Overflow pipe - LPW/S4	757-60910	1	
-	Overflow pipe - LPWT4	757-61880	1	
12	Swivel union plug	201-15400	1	
13	Copper washer	013-22350	2	
14	Thermostat cover	803-02271	1	
-	Thermostat joint	751-40281	1	
15	Hose elbow	803-02243	1	
16	Hose clip	027-04688	4	
17	Hose	854-01227	1	
18	Mounting bracket	757-62850	1	Replaces 757-61350
19	Screw - M8 x 14mm	272-00664	2	
20	Washer - M8	272-00715	4	
21	Screw	272-00665	3	
22	Heat exchanger assembly	750-62830	1	
23	Stud elbow	362-03245	1	
24	Elbow	362-03344	1	
25	Adaptor	757-61360	1	
-	Tube stack	606-22197/004	1	
-	Anode	606-22200/001	1	
-	'O' rring	606-22134/001	4	
-	Bonded seal	606-22134/002	2	
-	Dome nut	606-22147/001	2	
26	Return pipe - LPW/LPWS4	757-60960	1	
-	Return pipe - LPWT4	757-62010	3	
27	Pipe clip	389-04686	1	
28	Plate	803-02189	1	
29	Screw - M8 x 20mm	272-00665	1	
30	Washer - M8	272-00715	1	
31	Spring washer - M8	272-00360	1	
32	Nut - M8	272-00680	1	
33	Hose	854-00992	1	
34	Hose clip	027-04687	2	
35	Pipe	854-01191	1	
36	Adaptor	362-03343	1	
37	Water pump	362-03357	1	
-	Repair kit	606-90221/004	1	
-	Impellor	606-90165/004	1	
38	Screw	272-00661	4	
39	Spring washer	786378	4	
40	Coupling assembly	750-12250	1	
41	Sealing ring	362-03329	1	

continued.....

Heat Exchanger - LPW/LPWS4 and LPWT4

Illustration LPWM47



Heat Exchanger - LPW/LPWS4 and LPWT4

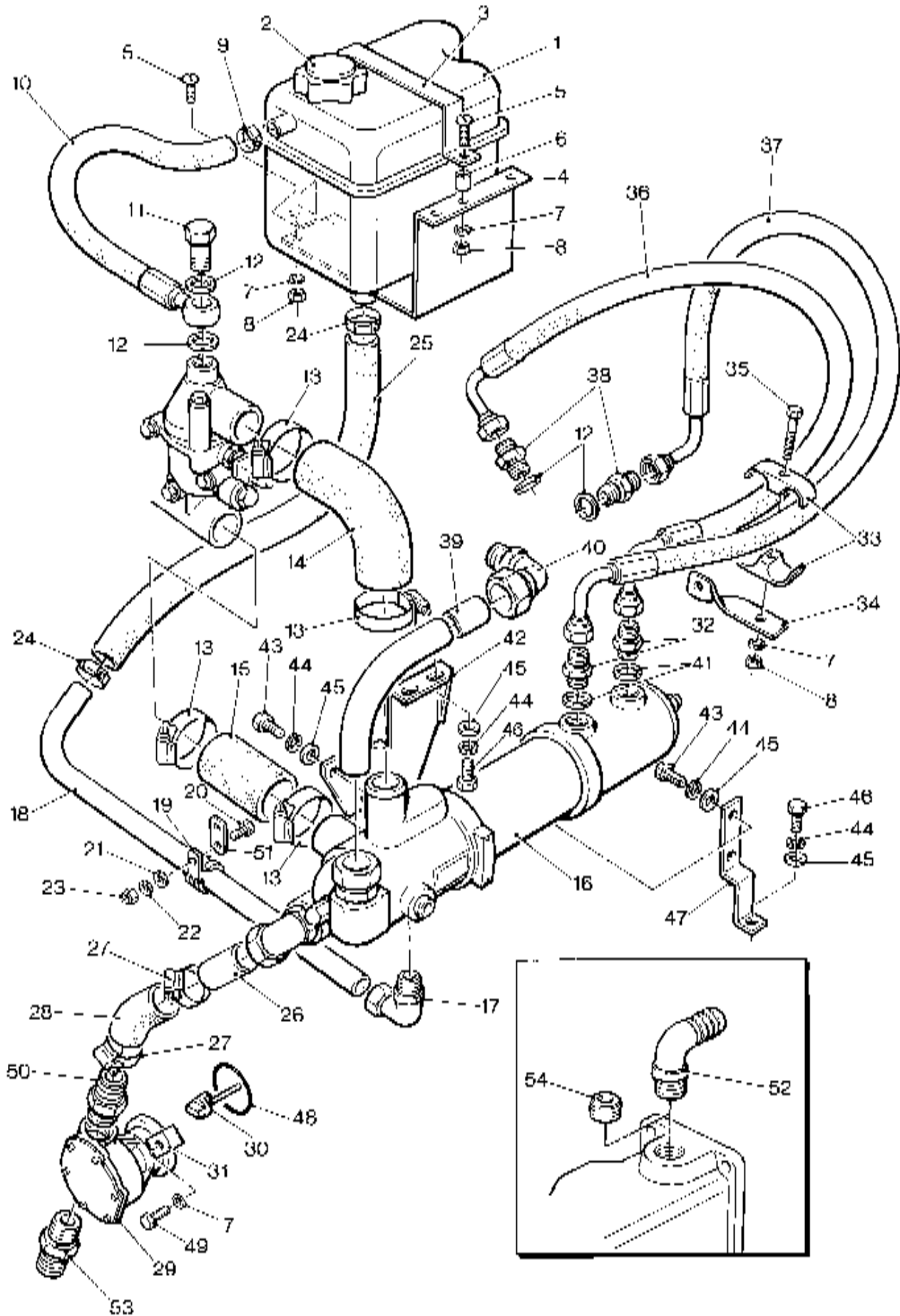
Later type - used with Hurth gearbox

Illustration LPM47

No.	Description	Part Number	4 cylinder	Remarks
42	Adaptor	362-03350	1	
43	Hose	757-61471	2	Replaces 757-61470
44	Hose clip	027-04687	4	
45	Pipe - LPW/LPWS4	757-61670	1	
-	Pipe - LPWT4	757-61671	1	
46	Adaptor	757-61360	1	
47	Angled adaptor	757-61380	1	
48	Taper plug	757-61641	2	Replaces 362-03337
49	Cable clip	382-08255	2	

Heat Exchanger - LPW/LPWS2,3

Illustration LPM13



Heat Exchanger - LPW/LPWS2,3

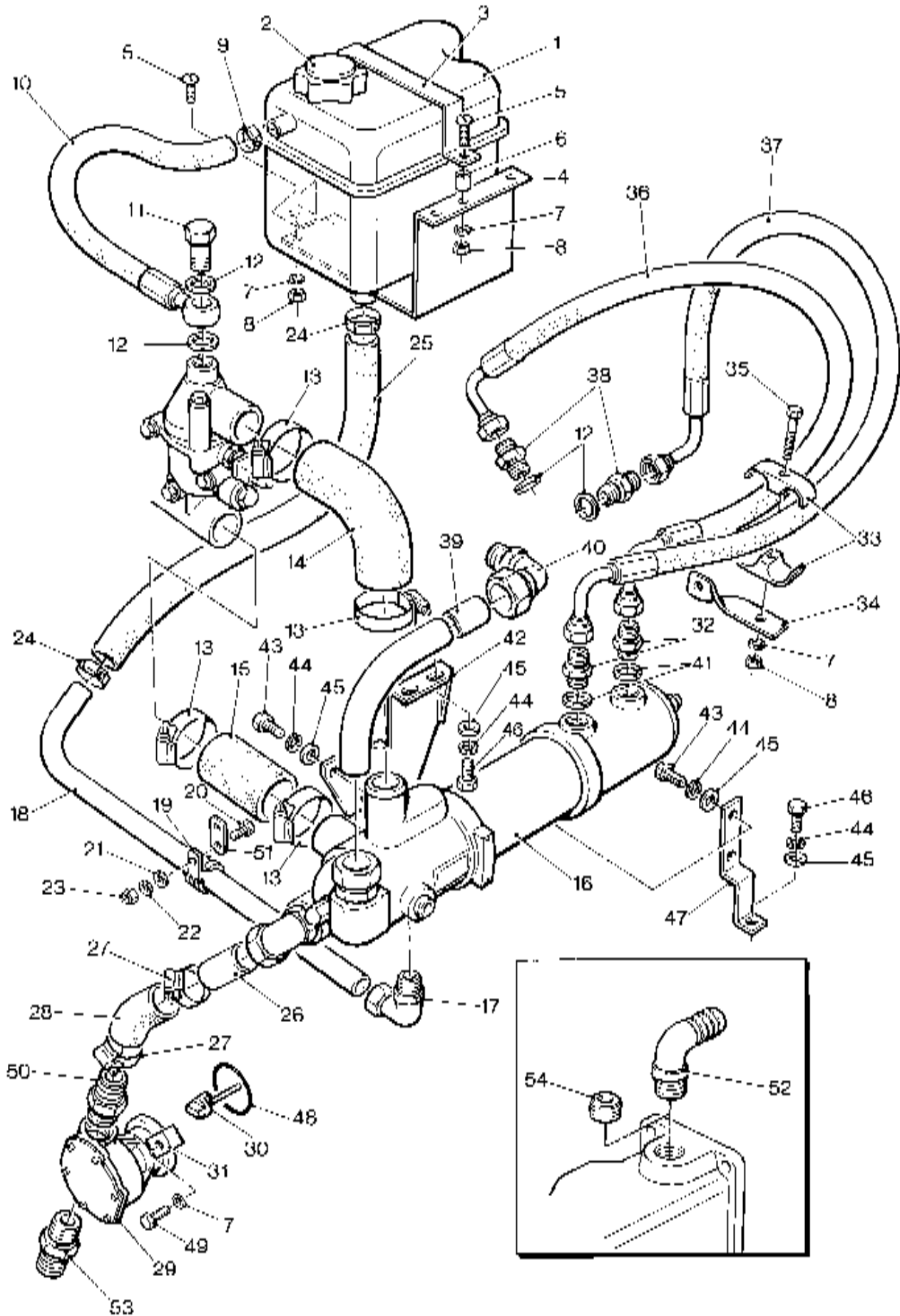
Early type - used with PRM Gearbox

Illustration No.	LPM13 Description	Part Number	Cylinders		Remarks
			2	3	
1	Expansion tank	362-03323	1	1	
2	Pressure cap	362-03324	1	1	
3	Strap	854-01167	1	1	
4	Mounting bracket	854-01159	1	1	
5	Setscrew	064-35576/043	4	4	
6	Spacer	803-02254	2	2	
7	Spring washer	272-00070	7	7	
8	Nut.....	272-00002	4	4	
9	Hose clip	027-06262	1	1	
10	Bleed-off hose	854-01194	1	1	
11	Swivel union plug.....	201-15400	1	1	
12	Copper washer	013-22350	1	1	
13	Hose clip	027-04688	4	4	
14	Hose elbow	803-02243	1	1	
15	Hose	854-01227	1	1	
16	Heat exchanger assembly - LPW/LPWS2	362-03356	1	-	
-	Heat exchanger assembly - LPW/LPWS3	362-03354	-	1	
-	Tube stack - LPW/LPWS2	606-22197/003	1	-	
-	Tube stack - LPW/LPWS3	606-22197/002	-	1	
-	Tube stack - oil cooler	606-22197/007	1	1	
-	Anode	606-22200/001	1	1	
-	'O' ring	606-22134/001	4	4	
-	Bonded seal	606-22134/002	2	2	
-	Dome nut.....	606-22147/001	2	2	
17	Stud elbow	362-03245	1	1	
18	Pipe - LPW/LPWS2	803-02191	1	-	
-	Pipe - LPW/LPWS3	854-01230	-	1	
19	Pipe clip	389-04686	1	1	
20	Setscrew	272-00039	1	1	
21	Washer	064-35719	1	1	
22	Spring washer	272-00071	1	1	
23	Nut.....	272-00003	1	1	
24	Hose clip - LPW/LPWS2	027-04686	2	-	
-	Hose clip - LPW/LPWS3	027-04687	-	2	
25	Hose - LPW/LPWS2.....	803-02266	1	-	
-	Hose - LPW/LPWS3.....	854-01195	-	1	
26	Pipe	803-02184	1	1	
27	Hose clip	027-04686	2	2	
28	Hose	803-02185	1	1	
29	Water pump - LPW/LPWS2	803-02207	1	-	
-	Water pump - LPW/LPWS3	803-02186	-	1	
-	Repair kit	606-90221/003	1	1	
-	Impellor	606-90165/003	1	1	
30	Coupling assembly	750-12250	1	1	
31	Clamp	803-02182	2	2	
32	Union	389-04080	2	2	
33	Clamp	362-03363	1	1	
34	Bracket	854-01231	1	1	
35	Bolt	272-00036	1	1	
36	Flexible pipe	854-01196	1	1	
37	Flexible pipe	854-01197	1	1	
38	Connector	366-01100	2	2	
39	Pipe	854-01192	1	1	
40	Elbow	362-03344	1	1	

continued.....

Heat Exchanger - LPW/LPWS2,3

Illustration LPM13



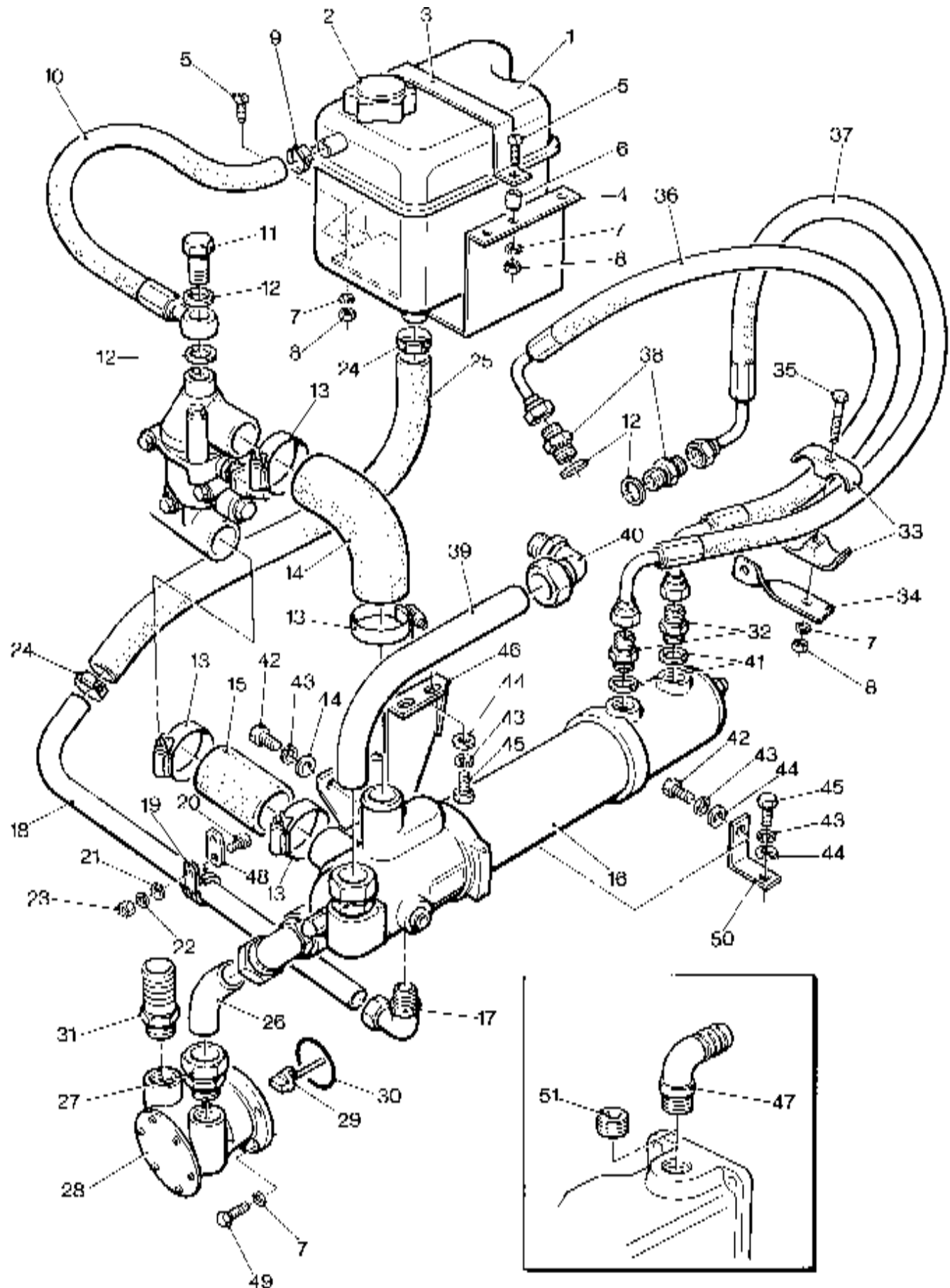
Heat Exchanger - LPW/LPWS2,3

Early type - used with PRM Gearbox

Illustration LPM13 No. Description	Part Number	Cylinders		Remarks
		2	3	
41 Copper washer	291-30630	2	2	
42 Bracket	854-01193	1	1	
43 Setscrew	272-00039	5	5	
44 Spring washer	272-00071	8	8	
45 Washer	064-35719	8	8	
46 Setscrew	272-00038	3	3	
47 Bracket	854-01233	1	1	
48 Sealing ring	362-03329	1	1	
49 Setscrew	272-00117	2	2	
50 Adaptor	362-03048	1	1	
51 Plate	803-02189	1	1	
52 Connector	362-03322	1	1	
53 Adaptor	362-03047	1	1	
54 Taper plug	362-03337	2	2	

Heat Exchanger - LPW/LPWS4

Illustration LPM14



Heat Exchanger - LPW/LPWS4

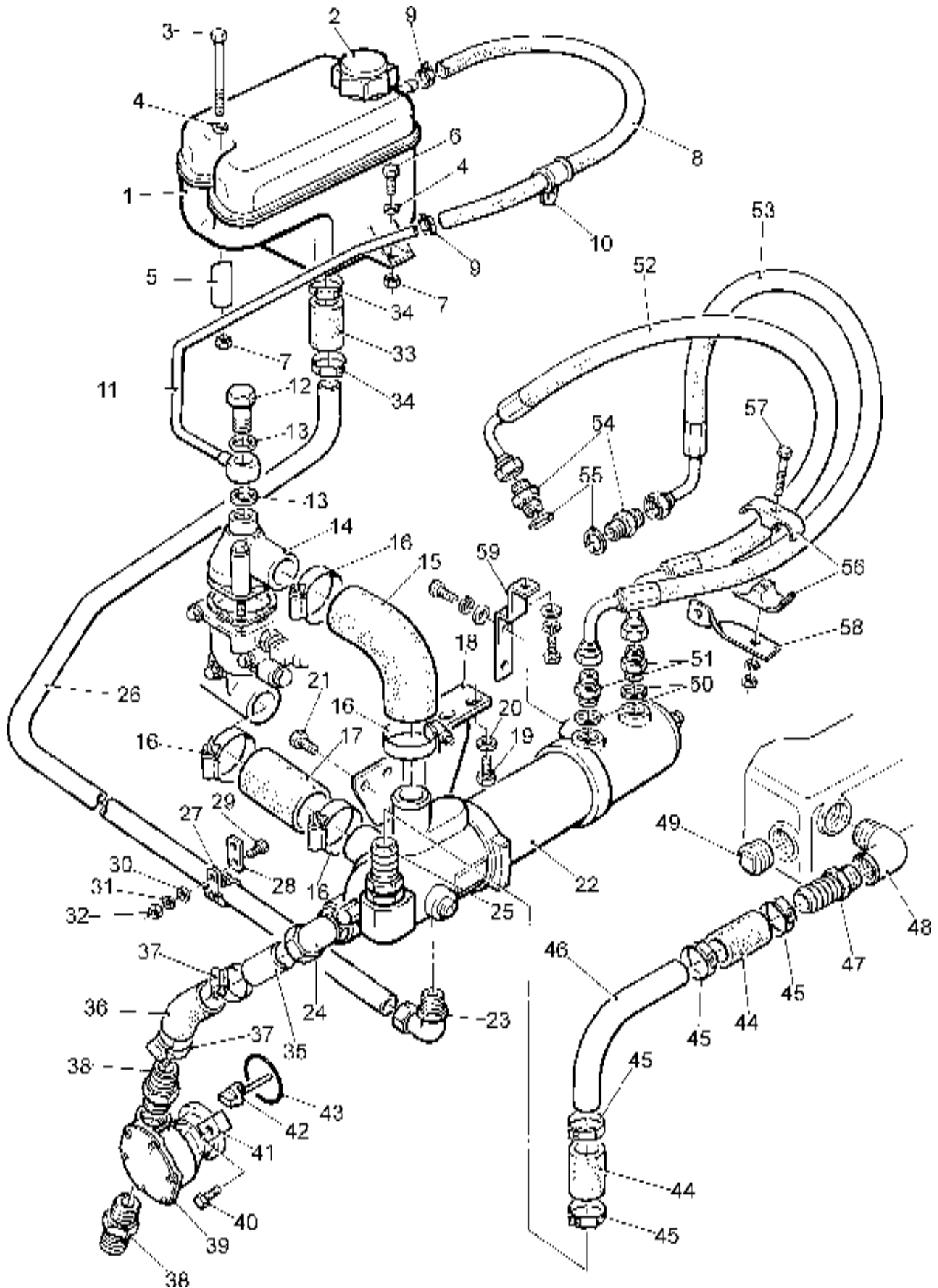
Early type - used with PRM gearbox

Illustration LPM14

No.	Description	Part Number	4 cylinder	Remarks
1	Expansion tank	362-03323	1	
2	Pressure cap	362-03324	1	
3	Strap	854-01167	1	
4	Mounting bracket	854-01159	1	
5	Setscrew	064-35576/043	4	
6	Spacer	803-02254	2	
7	Spring washer	272-00070	9	
8	Nut	272-00002	4	
9	Hose clip	027-06262	1	
10	Bleed-off hose	854-01194	1	
11	Swivel union plug	201-15400	1	
12	Copper washer	013-22350	2	
13	Hose clip	027-04688	4	
14	Hose elbow	803-02243	1	
15	Hose	854-01227	1	
16	Heat exchanger assembly	362-03353	1	
-	Tube stack	606-22197/001	1	
-	Tube stack - oil cooler	606-22197/007	1	
-	Anode	606-22200/001	1	
-	'O' ring	606-22134/001	4	
-	Bonded seal	606-22134/002	2	
-	Dome nut	606-22147/001	2	
17	Stud elbow	362-03245	1	
18	Pipe	854-01230	1	
19	Pipe clip	389-04686	1	
20	Setscrew	272-00039	1	
21	Washer	064-35719	1	
22	Spring washer	272-00071	1	
23	Nut	272-00003	1	
24	Hose clip	027-04687	1	
25	Hose	854-01195	1	
26	Pipe	854-01191	1	
27	Adaptor	362-03343	1	
28	Water pump	362-03357	1	
-	Repair kit	606-90221/004	1	
-	Impellor	606-90165/004	1	
29	Coupling assembly	750-12250	1	
30	Sealing ring	362-03329	1	
31	Adaptor	362-03350	1	
32	Union	389-04080	2	
33	Clamp	362-03363	1	
34	Bracket	854-01231	1	
35	Bolt	272-00036	1	
36	Flexible pipe	854-01196	1	
37	Flexible pipe	854-01197	1	
38	Connector	366-01100	2	
39	Pipe	854-01192	1	
40	Elbow	362-03344	1	
41	Copper washer	291-30630	2	
42	Setscrew	272-00039	4	
43	Spring washer	272-00071	7	
44	Washer	064-35719	7	
45	Setscrew	272-00038	3	
46	Bracket	854-01193	1	
47	Connector	362-03322	1	
48	Plate	803-02189	1	
49	Setscrew	272-00034	4	
50	Bracket - LPW4	854-01233	1	
-	Bracket - LPWS4	854-01232	1	
51	Taper plug	362-03337	2	

Heat Exchanger - LPW/LPWS2,3

Illustration LPM48



Heat Exchanger - LPW/LPWS2,3

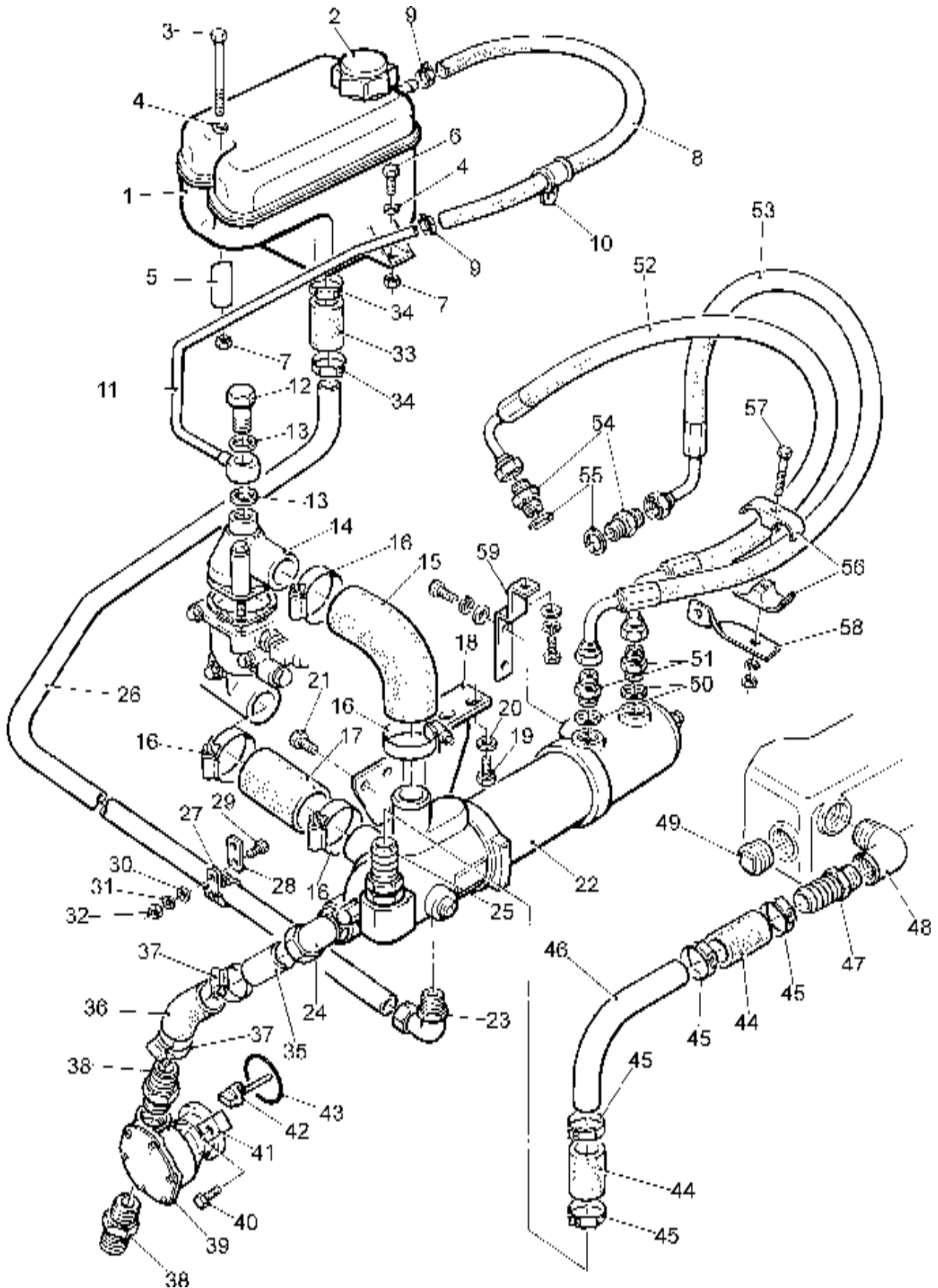
Later Type - used with PRM gearbox

Illustration No.	Description	Part Number	Cylinders		Remarks
			2	3	
	Accessory Kit Code MDB - LPW/LPWS2	750-62600	1	-	Replaces 750-60140
	Accessory Kit Code MDB - LPW/LPWS3	750-62610	-	1	Replaces 750-60810
1	Expansion tank	362-03323	1	1	
2	Pressure cap	362-03324	1	1	
3	Bolt - M6 x 60mm	272-00658	1	1	
4	Washer - M6	272-00688	2	2	
5	Spacer	757-60360	1	1	
6	Screw - M6 x 16mm	272-00661	1	1	
7	Self locking nut	272-00372	2	2	
8	Hose	803-02225	1	1	
9	Hose clip	027-06262	2	2	
10	Pipe clip	389-04686	1	1	
11	Overflow pipe - LPW/LPWS2	757-60870	1	-	
-	Overflow pipe - LPW/LPWS3	757-60890	-	1	
12	Swivel union plug	201-15400	1	1	
13	Copper washer	013-22350	2	2	
14	Thermostat cover	803-02271	1	1	
-	Thermostat seat joint	751-40281	1	1	
15	Hose elbow	803-02243	1	1	
16	Hose clip	027-04688	4	4	
17	Hose	854-01227	1	1	
18	Mounting bracket	757-62850	1	1	Replaces 757-61350
19	Screw - M8 x 14mm	272-00664	2	2	
20	Washer - M8	272-00715	2	2	
21	Screw	272-00665	3	3	
22	Heat exchanger assembly - LPW/LPWS2	750-62850	1	-	
-	Heat exchanger assembly - LPW/LPWS3	750-62860	-	1	
23	Stud elbow	362-03245	1	1	
24	Elbow	803-02183	1	1	
25	Adaptor	757-61360	1	1	
-	Tube stack - LPW/LPWS2	606-22197/003	1	-	
-	Tube stack - LPW/LPWS3	606-22197/002	-	1	
-	Tube stack - oil cooler	606-22197/007	1	1	
-	Anode	606-22200/001	1	1	
-	'O' ring	606-22134/001	4	4	
-	Bonded seal	606-22134/002	2	2	
-	Dome nut	606-22147/001	2	2	
26	Return pipe - LPW/LPWS2	757-60940	1	-	
-	Return pipe - LPW/LPWS3	757-60950	-	1	
27	Pipe clip	389-04686	1	1	
28	Plate	803-02189	1	1	
29	Screw - M8 x 20mm	272-00665	1	1	
30	Washer - M8	272-00715	1	1	
31	Spring washer - M8	272-00360	1	1	
32	Nut - M8	272-00680	1	1	
33	Hose	854-00992	1	1	
34	Hose clip	027-04687	2	2	
35	Pipe	803-02184	1	1	
36	Hose	803-02185	1	1	
37	Hose clip	027-04686	2	2	
38	Adaptor	362-03048	2	2	
39	Water pump - LPW/LPWS2	803-02207	1	-	
-	Water pump - LPW/LPWS3	803-02186	-	1	
-	Repair kit	606-90221/003	1	1	
-	Impellor	606-90165/003	1	1	

continued....

Heat Exchanger - LPW/LPWS2,3

Illustration LPM48



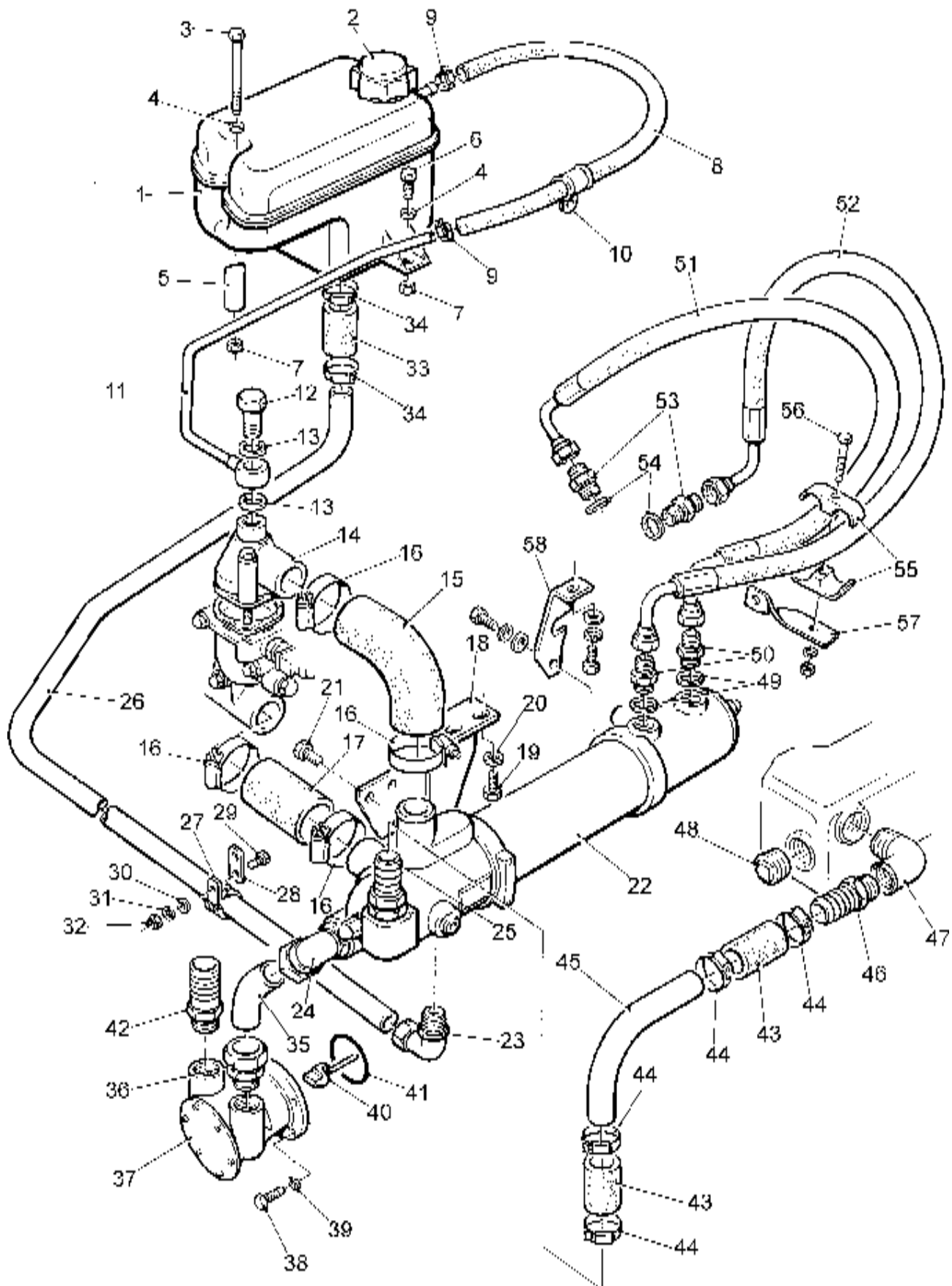
Heat Exchanger - LPW/LPWS2,3

Later Type - used with PRM gearbox

Illustration No.	LPM48 Description	Part Number	Cylinders		Remarks
			2	3	
40	Screw	272-00661	4	4	
41	Clamp	803-02182	2	2	
42	Coupling assembly	750-12250	1	1	
43	Sealing ring	362-03329	1	1	
44	Hose	757-61471	2	2	Replaces 757-61470
45	Hose clip	027-04687	4	4	
46	Pipe	757-61670	1	1	
47	Adaptor	757-61360	1	1	
48	Angled adaptor	757-61380	1	1	
49	Taper plug	757-61641	2	2	Replaces 362-03337
50	Copper washer	291-30630	2	2	
51	Union	389-04080	2	2	
52	Flexible pipe assembly	854-01196	1	1	
53	Flexible pipe assembly	854-01197	1	1	
54	Connector	366-01100	2	2	
55	Copper washer	013-22350	2	2	
56	Clamp	362-03363	1	1	
57	Bolt	272-00634	1	1	
58	Bracket	854-01231	1	1	
59	Bracket	854-01232	1	1	

Heat Exchanger - LPW/LPWS4 and LPWT4

Illustration LPM39



Heat Exchanger - LPW/LPWS4 and LPWT4

Later type - used with PRM gearbox

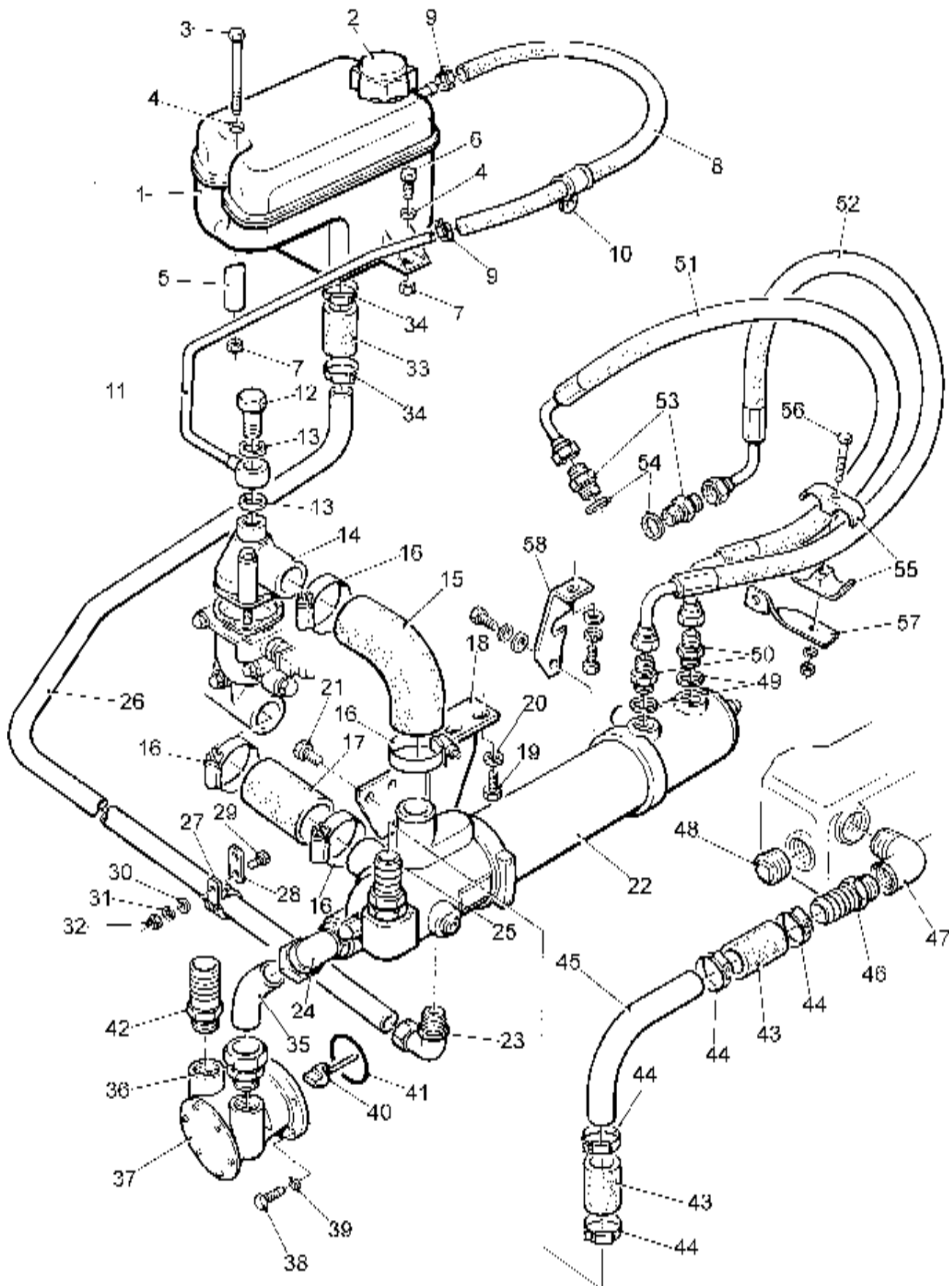
Illustration LPM49

No.	Description	Part Number	4 cylinder	Remarks
	Accessory Kit Code MDB - LPW4	750-62621	1	Replaces 750-61110
	Accessory Kit Code MDB - LPWS4	750-62620	1	Replaces 750-61700
	Accessory Kit Code MDB - LPWT4	750-63571	1	
1	Expansion tank	362-03323	1	
2	Pressure cap	362-03324	1	
-	Bracket - LPWT4	757-62000	1	
3	Bolt - LPW/S4	272-00658	1	
-	Bolt - LPWT4	272-00634	1	
4	Washer - M6	272-00688	2	
5	Spacer - LPW/LPWS4	757-60360	1	
-	Spacer - LPWT4	757-61980	1	
6	Screw - M6 x 16mm	272-00661	1	
7	Nut	272-00372	2	
8	Hose	803-02225	1	
9	Hose clip	027-06262	2	
10	Pipe clip	389-04686	1	
11	Overflow pipe - LPW/LPWS4	757-60910	1	
-	Overflow pipe - LPWT4	757-61880	1	
12	Swivel union plug	201-15400	1	
13	Copper washer	013-22350	2	
14	Thermostat cover	803-02271	1	
-	Thermostat seat joint	751-40281	1	
15	Hose elbow	803-02243	1	
16	Hose clip	027-04688	4	
17	Hose	854-01227	1	
18	Mounting bracket	757-62850	1	Replaces 757-61350
19	Screw - M8 x 14mm	272-00664	2	
20	Washer - M8	272-00715	2	
21	Screw	272-00665	3	
22	Heat exchanger assembly	750-62870	1	
23	Stud elbow	362-03245	1	
24	Elbow	362-03344	1	
25	Adaptor	757-61360	1	
-	Tube stack	606-22197/001	1	
-	Tube stack - oil cooler	606-22197/007	1	
-	Anode	606-22200/001	1	
-	'O' ring	606-22134/001	4	
-	Bonded seal	606-22134/002	2	
-	Dome nut	606-22147/001	2	
26	Return pipe - LPW/LPWS4	757-60960	1	
-	Return pipe - LPWT4	757-62010	1	
27	Pipe clip	389-04686	1	
28	Plate	803-02189	1	
29	Screw - M8 x 20mm	272-00665	1	
30	Washer - M8	272-00715	1	
31	Spring washer - M8	272-00360	1	
32	Nut - M8	272-00680	1	
33	Hose	854-00992	1	
34	Hose Clip	027-04687	2	
35	Pipe	854-01191	1	
36	Adaptor	362-03343	1	
37	Water pump	362-03357	1	
-	Repair kit	606-90221/004	1	
-	Impellor	606-90165/004	1	
38	Screw	272-00661	4	
39	Spring washer	786378	4	
40	Coupling assembly	750-12250	1	
41	Sealing ring	362-03329	1	

continued.....

Heat Exchanger - LPW/LPWS4 and LPWT4

Illustration LPM39



Heat Exchanger - LPW/LPWS4 and LPWT4

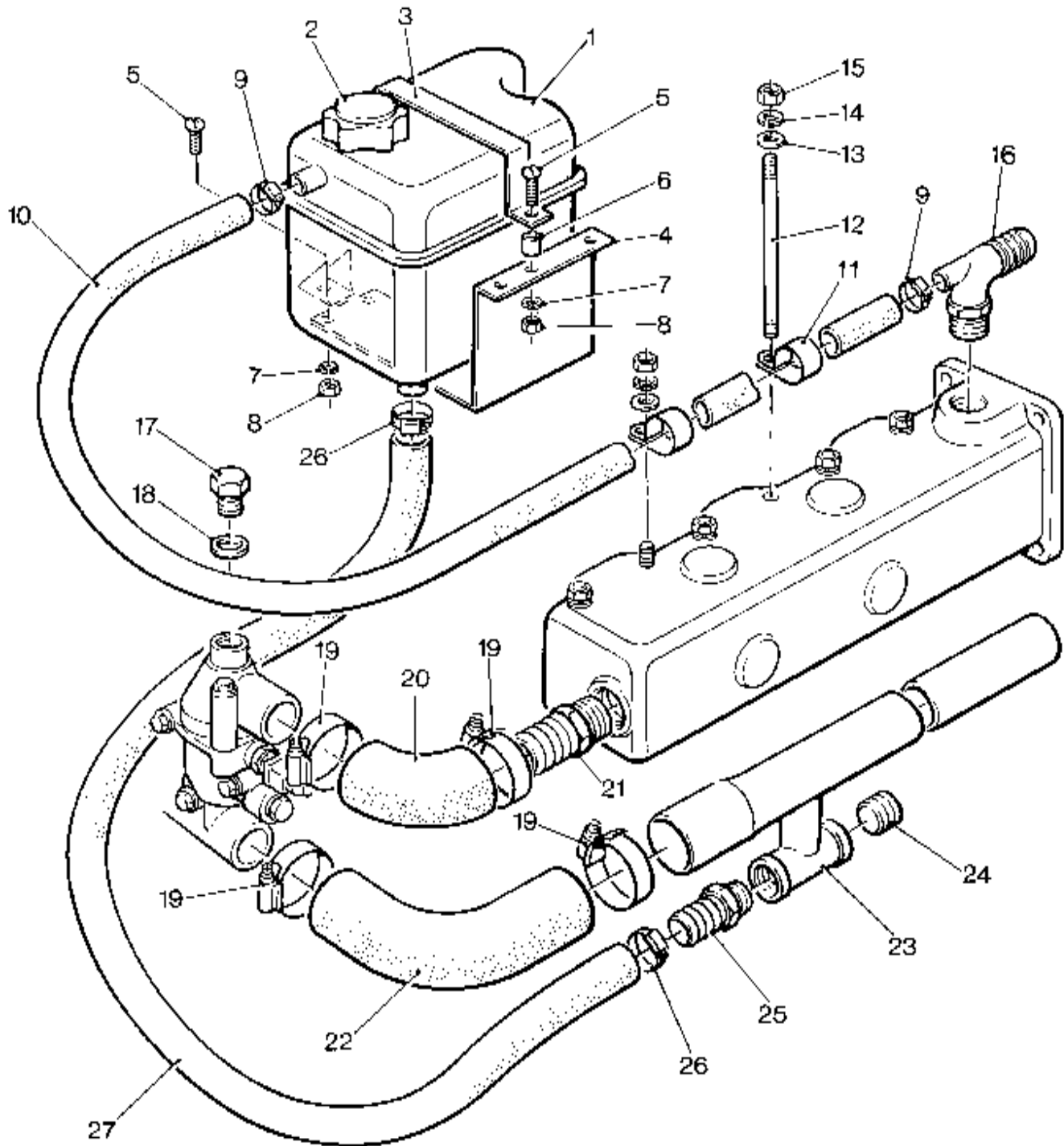
Later type - used with PRM gearbox

Illustration LPM49

No.	Description	Part Number	4 cylinder	Remarks
42	Adaptor	362-03350	1	
43	Hose	757-61471	2	Replaces 757-61470
44	Hose clip	027-04687	4	
45	Pipe - LPW/LPWS4	757-61670	1	
-	Pipe - LPWT4	757-61671	1	
46	Adaptor	757-61360	1	
47	Angled adaptor	757-61380	1	
48	Taper plug	757-61641	2	Replaces 362-03337
49	Copper washer	291-30630	2	
50	Union	389-04080	2	
51	Flexible pipe	854-01196	1	
52	Flexible pipe	854-01197	1	
53	Connector	366-01100	2	
54	Copper washer	013-22350	2	
55	Clamp	362-03363	1	
56	Bolt	272-00634	1	
57	Bracket	854-01231	1	
58	Bracket - LPW4	757-61770	1	
-	Bracket - LPWS4	854-01232	1	

Keel Cooling - LPW, LPWS

Illustration LPM15



Keel Cooling - LPW, LPWS

Early type

Illustration LPM15 No. Description	Part Number	Cylinders			Remarks
		2	3	4	
1 Expansion tank	362-03323	1	1	1	
2 Pressure cap	362-03324	1	1	1	
3 Strap	854-01167	1	1	1	
4 Mounting bracket	854-01159	1	1	1	
5 Screw	064-35576/043	4	4	4	
6 Spacer	803-02254	2	2	2	
7 Spring washer	272-00070	4	4	4	
8 Nut.....	272-00002	3	3	3	
9 Hose clip	027-06262	2	2	2	
10 Bleed hose	854-01172	1	1	1	
11 'P' clip	064-08827	1	2	2	
12 Stud	362-03333	1	2	2	
13 Washer	064-35719	1	2	2	
14 Spring washer	272-00070	1	2	2	
15 Nut.....	272-00002	1	2	2	
16 Connector	854-01141	1	1	1	
17 Blanking plug	201-15400	1	1	1	
18 Copper washer	013-22350	1	1	1	
19 Hose clip	027-04688	4	4	4	
20 Elbow	854-01229	1	1	1	
21 Connector	854-01142	1	1	1	
22 Hose elbow	854-01223	1	1	1	
23 Pipe assembly	854-01218	1	1	1	
24 Plug	362-03339	1	1	1	
25 Adaptor	362-03048	1	1	1	
26 Pipe clip	064-17478	2	2	2	
27 Hose	854-01171	1	1	1	

Note:

With this early type keel cooling system, separate fittings were required as shown in 'Keel Cooling Fitting Kits - LPW/LPWS (Early Types)' section.

Keel Cooling Fitting Kits - LPW, LPWS

Illustration LPM35

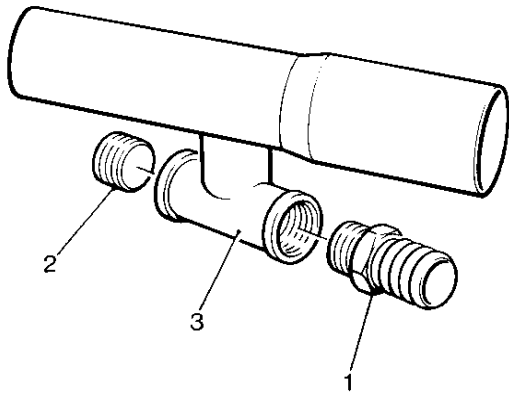
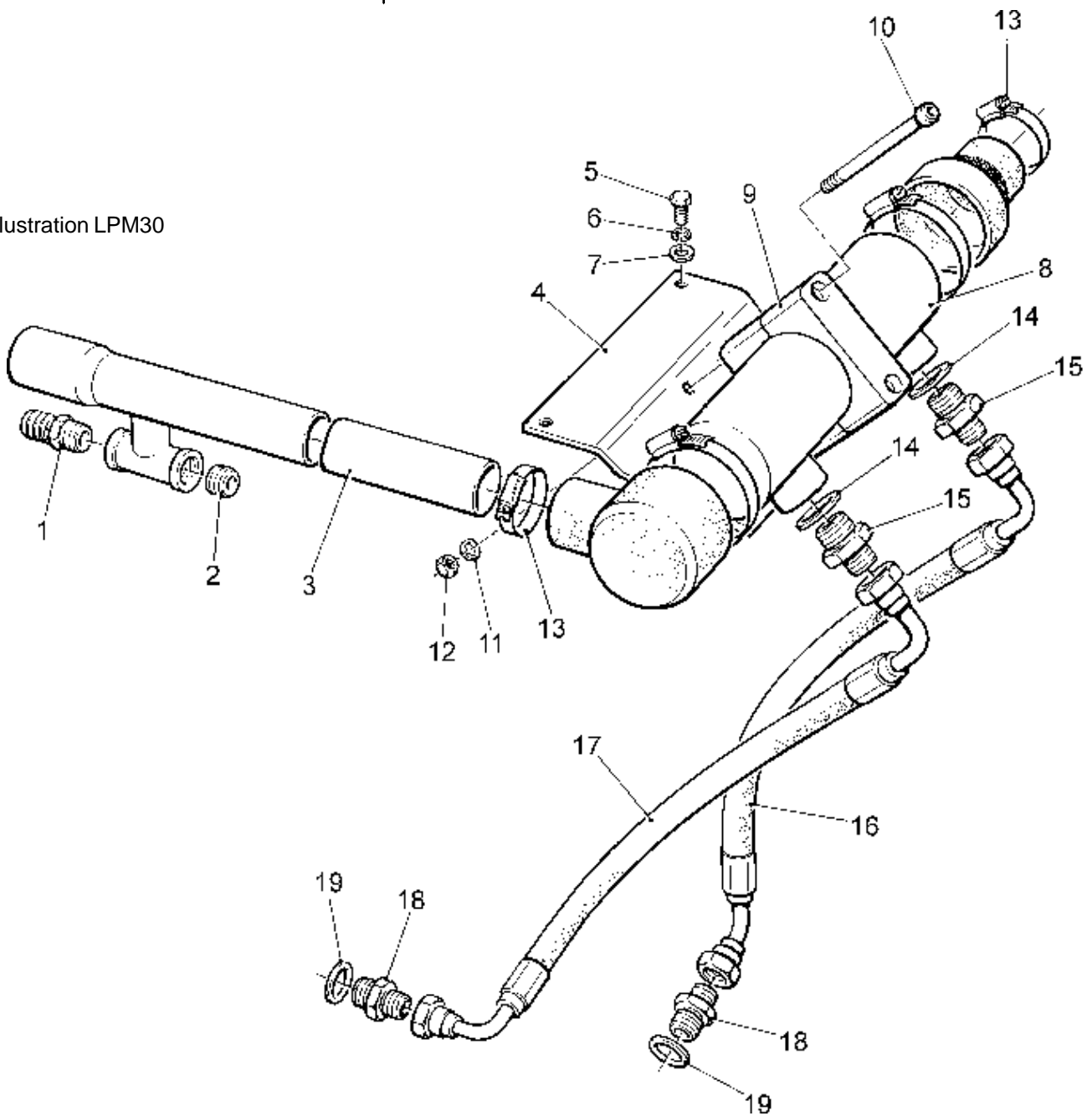


Illustration LPM30



Keel Cooling Fitting Kits - LPW, LPWS

Early types

For Hurth gearbox

Illustration LPM35

No.	Description	Part Number	Cylinders			Remarks
			2	3	4	
1	Adaptor	362-03048	1	1	1	
2	Plug	362-03339	1	1	1	
3	Pipe assembly	854-01217	1	1	1	

For Newage PRM Delta gearbox

Illustration LPM30

No.	Description	Part Number	Cylinders			Remarks
			2	3	4	
1	Adaptor	362-03048	1	1	1	
2	Plug	362-03339	1	1	1	
3	Pipe assembly - LPW/LPWS2	803-02222	1	-	-	
-	Pipe assembly - LPW/LPWS3	803-02193	-	1	-	
-	Pipe assembly - LPW/LPWS4	854-01218	-	-	1	
4	Cooler bracket - LPW/LPWS3,4	854-01178	-	1	1	
5	Setscrew - LPW/LPWS3,4	272-00038	-	2	2	
6	Spring washer	272-00071	2	2	2	
7	Washer - LPW/LPWS3,4	064-35719/007	-	2	2	
8	Oil cooler	362-03336	1	1	1	
9	Clamp	362-03338	1	1	1	
10	Capscrew	362-03340	2	2	2	
11	Spring washer	272-00070	2	2	2	
12	Nut	272-00002	2	2	2	
13	Hose clip	027-04688	1	1	2	
14	Copper washer	291-30630	2	2	2	
15	Union	389-04080	2	2	2	
16	Pipe assembly	854-01050	1	1	1	
17	Pipe assembly	854-01051	1	1	1	
18	Union	366-01100	2	2	2	
19	Copper washer	013-22350	2	2	2	
-	Pipe - LPW/LPWS2	854-01248	1	-	-	
-	Distance piece - LPW/LPWS2	203-40750	1	-	-	
-	Distance piece - LPW/LPWS2	854-00651	1	-	-	
-	Setscrew - LPW/LPWS2	272-00040	1	-	-	

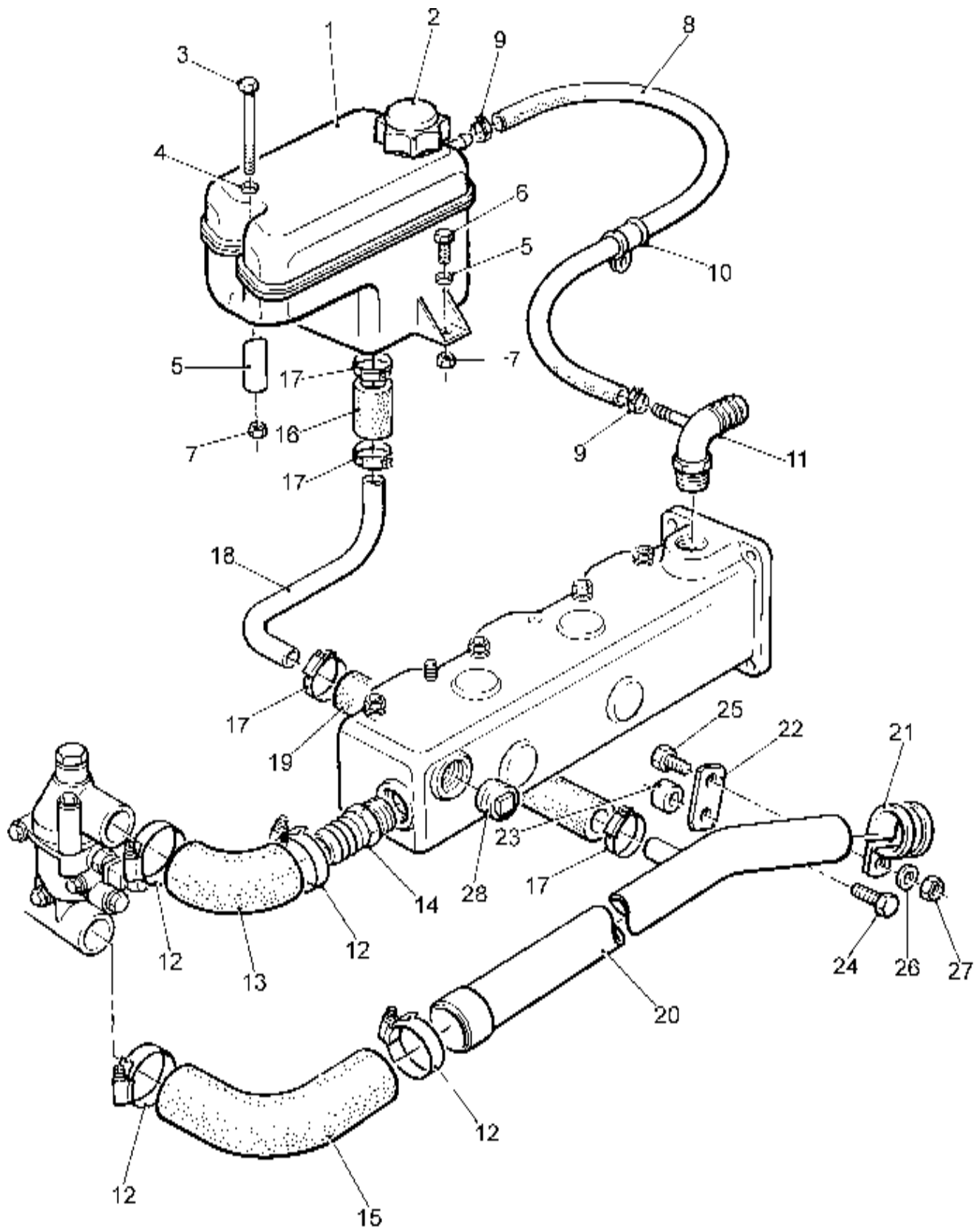
For PRM160 gearbox

Not Illustrated

Description	Part Number	Cylinders			Remarks
		2	3	4	
Adaptor	362-03048	-	1	1	
Plug	362-03339	-	2	2	
Cooler bracket	854-01247	-	1	1	
Oil cooler	362-03336	-	1	1	
Clamp	362-03338	-	1	1	
Capscrew	362-03340	-	1	1	
Pipe assembly	854-01050	-	1	1	
Pipe assembly	854-01051	-	1	1	
Pipe assembly	854-01246	-	1	1	
Pipe	854-01248	-	1	1	
Hose clip	027-04688	-	2	2	
Hose	201-15390	-	1	1	
Distance piece	203-40750	-	1	1	
Bracket	356-44150	-	1	1	
Union	389-04080	-	4	4	
Pipe clip	389-04746	-	1	1	
Distance piece	854-00380	-	1	1	

Keel Cooling - LPW, LPWS

Illustration LPM50



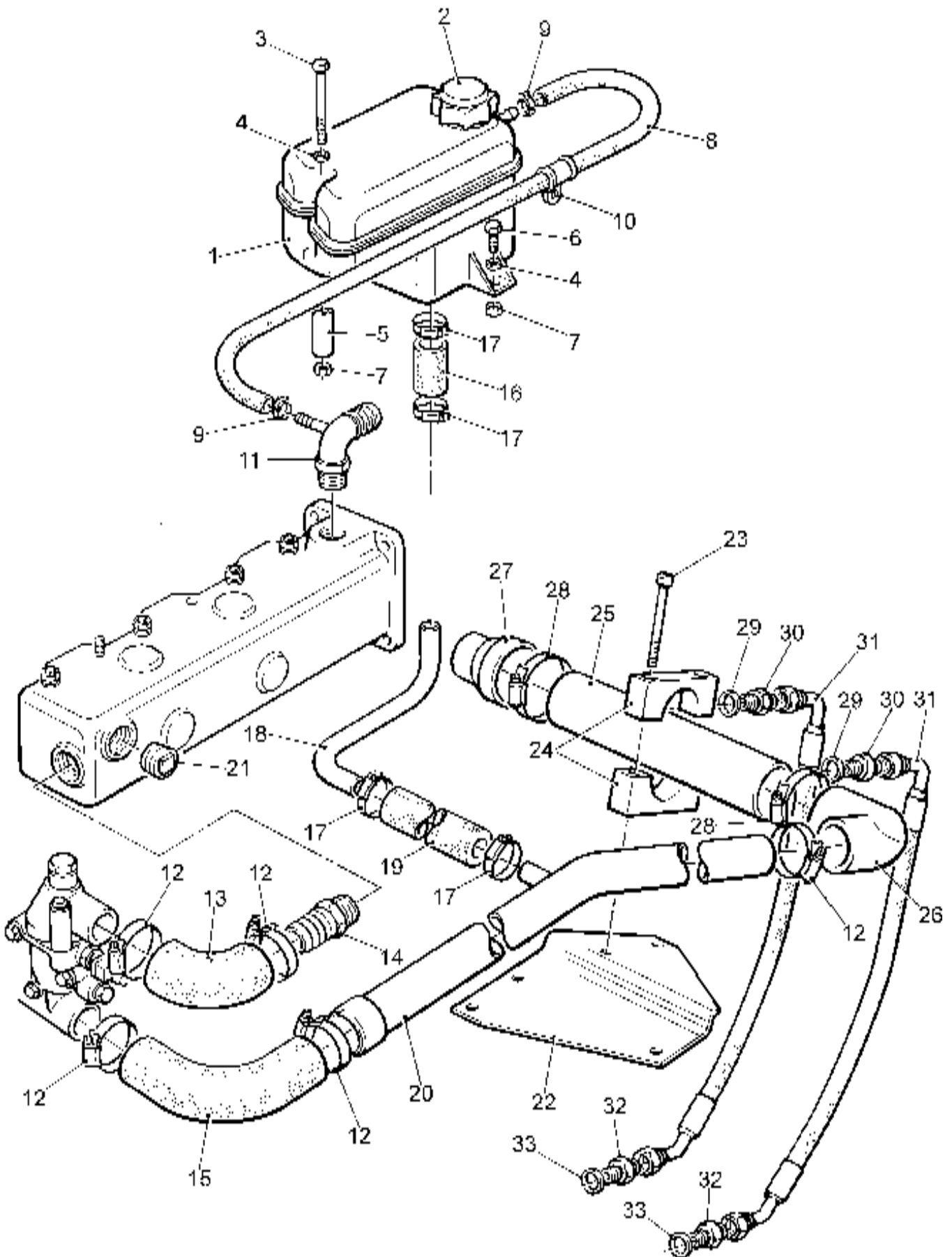
Keel Cooling - LPW, LPWS

Later type - for Hurth gearbox

Illustration LPM50 No. Description	Part Number	Cylinders			Remarks
		2	3	4	
Accessory Kit Code MDF - LPW/LPWS2	750-62520	1	-	-	
Accessory Kit Code MDF - LPW/LPWS3	750-62530	-	1	-	
Accessory Kit Code MDF - LPW/LPWS4	750-62540	-	-	1	
1 Expansion tank	362-03323	1	1	1	
2 Pressure cap	362-03324	1	1	1	
3 Bolt - M6	272-00658	1	1	1	
4 Washer - M6	272-00688	2	2	2	
5 Spacer	757-60360	1	1	1	
6 Screw - M6 x 16mm	272-00661	1	1	1	
7 Self locking nut	272-00372	2	2	2	
8 Hose	803-02225	1	1	1	
9 Hose clip	027-06262	2	2	2	
10 Pipe clip	389-04686	1	1	1	
11 Outlet elbow	757-60540	1	1	1	
12 Hose clip	027-04688	4	4	4	
13 Hose elbow	854-01229	1	1	1	
14 Connector	854-01142	1	1	1	
15 Hose elbow	854-01223	1	1	1	
16 Hose	854-00992	1	1	1	
17 Hose clip	027-04687	4	4	4	
18 Return pipe	757-60590	1	1	1	
19 Fill hose	854-01195	1	1	1	
20 Water transfer pipe - LPW/LPWS2	757-60560	1	-	-	
- Water transfer pipe - LPW/LPWS3	757-60570	-	1	-	
- Water transfer pipe - LPW/LPWS4	757-60580	-	-	1	
21 Pipe clip	389-04746	1	1	1	
22 Plate	803-02189	1	1	1	
23 Distance piece	757-12170	1	1	1	
24 Screw - M8 x 25mm	272-00698	1	1	1	
25 Screw - M8 x 16mm	272-00674	1	1	1	
26 Washer - M8	272-00715	1	1	1	
27 Nut - M8	272-00680	1	1	1	
28 Plug	362-03337	1	1	1	
- Adaptor - water pump to calorifier pipe	757-18641	1	1	1	

Keel Cooling - LPW, LPWS

Illustration LPM51



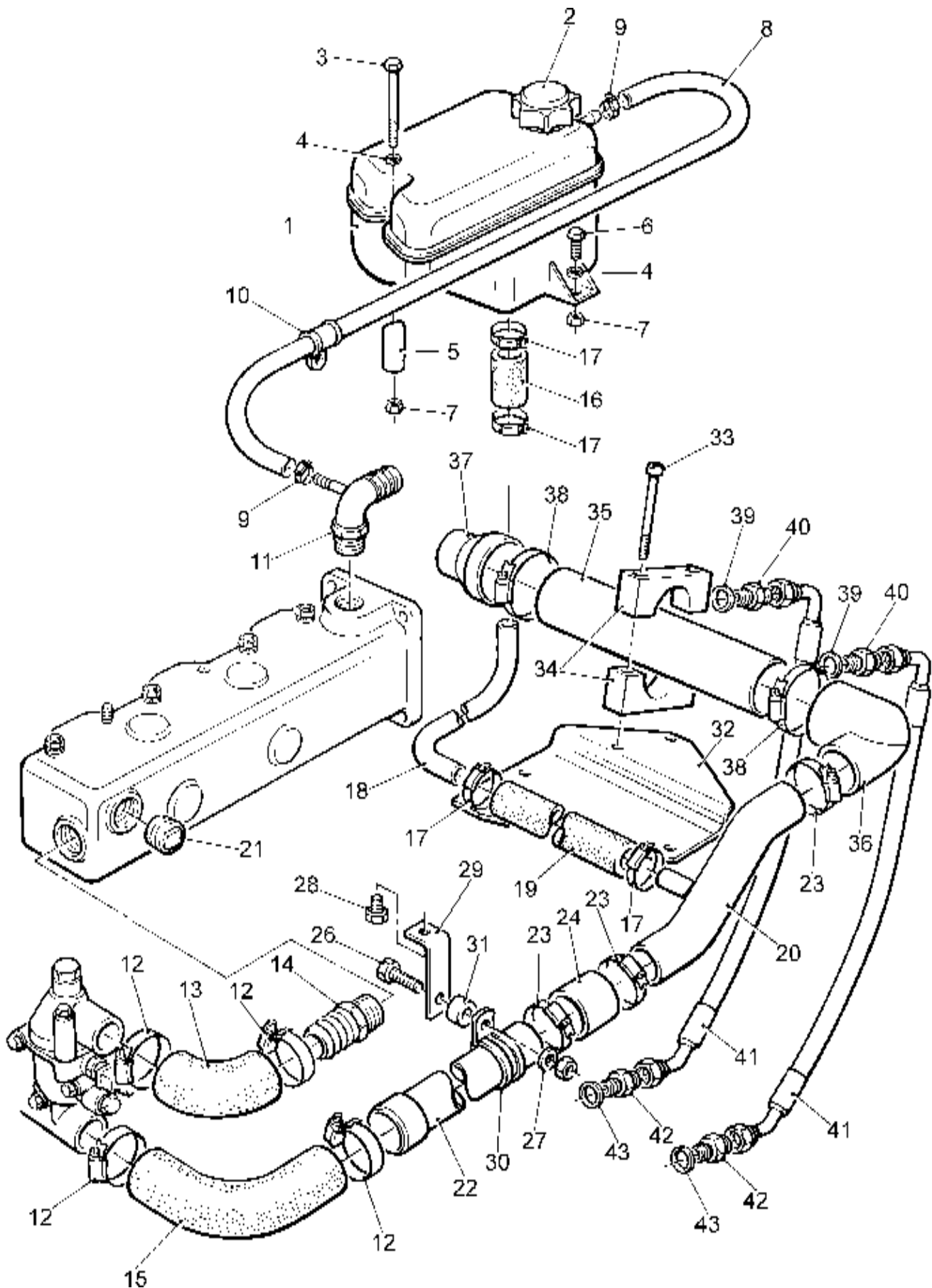
Keel Cooling - LPW, LPWS

Later type for Delta gearbox

Illustration LPM51 No. Description	Part Number	Cylinders			Remarks
		2	3	4	
Accessory Kit Code MDG - LPW/LPWS2	750-62160	1	-	-	
Accessory Kit Code MDG - LPW/LPWS3	750-62240	-	1	-	
Accessory Kit Code MDG - LPW/LPWS4	750-62250	-	-	1	
1 Expansion tank	362-03323	1	1	1	
2 Pressure cap	362-03324	1	1	1	
3 Bolt - M6	272-00658	1	1	1	
4 Washer - M6	272-00688	2	2	2	
5 Spacer	757-60360	1	1	1	
6 Screw - M6 x 16mm	272-00661	1	1	1	
7 Self locking nut	272-00372	2	2	2	
8 Hose	803-02225	1	1	1	
9 Hose clip	027-06262	2	2	2	
10 Pipe clip	389-04686	1	1	1	
11 Outlet elbow	757-60540	1	1	1	
12 Hose clip	027-04688	5	5	5	
13 Hose elbow	854-01229	1	1	1	
14 Connector	854-01142	1	1	1	
15 Hose elbow	854-01223	1	1	1	
16 Hose	854-00992	1	1	1	
17 Hose clip	027-04687	4	4	4	
18 Return pipe	757-60590	1	1	1	
19 Fill hose	854-01195	1	1	1	
20 Water transfer pipe - LPW/LPWS2	757-60560	1	-	-	
- Water transfer pipe - LPW/LPWS3	757-60570	-	1	-	
- Water transfer pipe - LPW/LPWS4	757-60580	-	-	1	
21 Plug	362-03337	1	1	1	
22 Oil cooler bracket	751-60040	1	1	1	
23 Capscrew	362-03340	2	2	2	
24 Stauff clamp	362-03338	2	2	2	
25 Oil cooler	362-03336	1	1	1	
26 End cover - 90°	606-21190/006	1	1	1	
27 End cover - straight	606-21190/007	1	1	1	
28 Hose clip	027-04691	2	2	2	
29 Copper washer	291-30630	2	2	2	
30 Union	389-04080	2	2	2	
31 Oil pipe	757-60602	2	2	2	Replaces 757-60600/1
32 Connector	366-01100	2	2	2	
33 Copper washer	013-22350	2	2	2	

Keel Cooling - LPW/LPWS3,4

Illustration LPM52



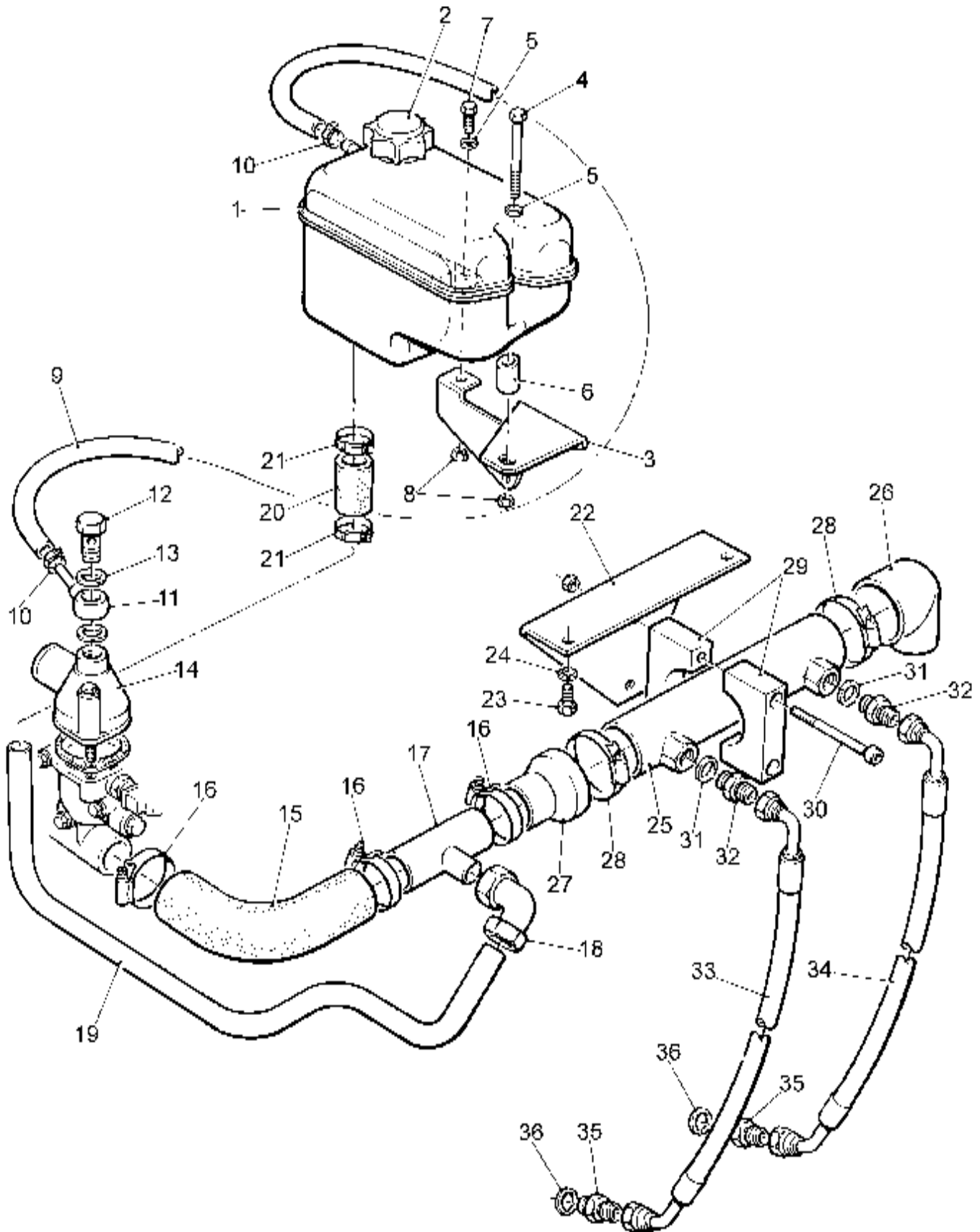
Keel Cooling - LPW/LPWS3,4

Later type - for PRM 160 gearbox

Illustration No.	LPM52 Description	Part Number	Cylinders			Remarks
			2	3	4	
	Accessory Kit Code MDH - LPW/LPWS3	750-63190	-	1	-	
	Accessory Kit Code MDH - LPW/LPWS4	750-62900	-	-	1	
1	Expansion tank	362-03323	-	1	1	
2	Pressure cap	362-03324	-	1	1	
3	Bolt - M6	272-00658	-	1	1	
4	Washer - M6	272-00688	-	2	2	
5	Spacer	757-60360	-	1	1	
6	Screw - M6 x 16mm	272-00661	-	1	1	
7	Self locking nut	272-00372	-	2	2	
8	Hose	803-02225	-	1	1	
9	Hose clip	027-06262	-	2	2	
10	Pipe clip	389-04686	-	1	1	
11	Outlet elbow	757-60540	-	1	1	
12	Hose clip	027-04688	-	4	4	
13	Hose elbow	854-01229	-	1	1	
14	Connector	854-01142	-	1	1	
15	Hose elbow	854-01223	-	1	1	
16	Hose	854-00992	-	1	1	
17	Hose clip	027-04687	-	4	4	
18	Return pipe	757-60590	-	1	1	
19	Fill hose	854-01195	-	1	1	
20	Water transfer pipe	757-61580	-	1	1	
21	Plug	362-03337	-	1	1	
22	Water transfer pipe	757-61591	-	1	-	
-	Water transfer pipe	757-61590	-	-	1	
23	Hose clip	027-04688	-	3	3	
24	Hose	382-02494	-	1	1	
25	Screw - M10 x 30mm	272-00697	-	2	2	
26	Screw - M10 x 25mm	272-00698	-	1	1	
27	Washer - M8	272-00715	-	1	1	
28	Screw - M8 x 10mm	272-00767	-	1	1	
29	Bracket	356-44150	-	1	1	
30	Pipe clip	389-04746	-	1	1	
31	Distance piece	854-00380	-	1	1	
32	Oil Cooler bracket	757-61570	-	1	1	
33	Capscrew	362-03340	-	2	2	
34	Stauff clamp	362-03338	-	2	2	
35	Oil cooler	362-03336	-	1	1	
36	End cover - 90°	606-21190/006	-	1	1	
37	End cover - straight	606-21190/007	-	1	1	
38	Hose clip	027-04691	-	2	2	
39	Copper washer	291-30630	-	2	2	
40	Union	389-04080	-	2	2	
41	Oil pipe	757-60602	-	2	2	Replaces 757-60600/1
42	Connector	366-01100	-	2	2	
43	Copper washer	013-22350	-	2	2	

Keel Cooling - LPWT4

Illustration LPM53



Keel Cooling - LPWT4

For PRM160 gearbox

Illustration LPM53

No.	Description	Part Number	LPWT4	Remarks
	Accessory Kit Code MDH - LPWT4	750-63760	1	
1	Expansion tank	362-03323	1	
2	Pressure cap	362-03324	1	
3	Bracket	757-62000	1	
4	Bolt - M6	272-00634	1	
5	Washer - M6	272-00688	2	
6	Spacer	757-61980	1	
7	Screw - M6 x 16mm	272-00661	1	
8	Self locking nut	272-00372	4	
9	Hose	803-02225	1	
10	Hose clip	027-06262	2	
11	Pipe assembly	757-61880	1	
12	Swivel union plug	201-15400	1	
13	Copper washer	013-22350	2	
14	Thermostat cover	803-02271	1	
-	Thermostat seat joint	751-40281	1	
15	Hose elbow	757-62790	1	Replaces 854-01223
16	Hose clip	027-04688	3	
17	Pipe	757-62470	1	
18	Coupling	757-62510	1	
19	Water pipe	757-62011	1	
20	Hose	854-00992	1	
21	Hose clip	027-04687	2	
22	Bracket	757-62460	1	
23	Screw - M8 x 16mm	272-00038	2	
24	Spring washer	272-00071	2	
25	Oil cooler	362-03336	1	
26	End cover - 90°	606-21190/006	1	
27	End cover - straight	606-21190/007	1	
28	Hose clip	027-04691	2	
29	Stauff clamp	362-03338	2	
30	Capscrew	362-03340	2	
31	Copper washer	013-22350	2	
32	Union	389-04080	2	
33	Flexible pipe assembly	854-01196	1	
34	Flexible pipe assembly	854-01197	1	Replaces 854-01196
-	Clamp - flexible pipe assemblies	362-03363	4	
35	Connector	366-01100	2	
36	Copper washer	291-30630	2	

Calorifier Connection Kit - LPW/LPWS

Early type

Not Illustrated Description	Part Number	Cylinders			Remarks
		2	3	4	
'Tee' piece	362-03263	1	1	1	
Union	362-03264	1	1	1	
Plug	362-03339	2	2	2	
Adaptor	362-03048	2	2	2	

Calorifier Connection Kit - LPW/LPWS

Later type

Not Illustrated Description	Part Number	Cylinders			Remarks
		2	3	4	
Accessory Kit Code MDM	750-62700	1	1	1	See Note
Water pipe adaptor	757-18641	1	1	1	Replaces 757-18640
Screw	272-00625	1	1	1	
Copper washer	201-11890	1	1	1	
Hose	757-61370	1	1	1	
Hose clip	027-04686	2	2	2	Replaces 027-04687

Note:

From July 1998 Included in Accessory Kits MDA, MDB, MDF and MDG

Calorifier Connection Kit - LPWT4

Not Illustrated Description	Part Number	LPWT4	Remarks
Accessory Kit Code MDM	750-63700	1	For heat exchanger system
Accessory Kit Code MDN	750-63701	1	For keel cooling system
Tee piece	750-42770	1	
Water pipe adaptor	757-18641	1	(2 in Accessory Kit MDN)
Hose	757-61371	1	
Hose clip - 16/22mm dia	027-04686	2	(4 in Accessory Kit MDN)
Hose clip - 22/30mm dia	027-04687	2	
Copper washer	201-11890	1	
Screw	272-00625	1	
Oil cooler hose	754-43483	1	
Hose	757-61372	1	Accessory Kit MDN
Hose adaptor	757-62520	2	Accessory Kit MDN

Note:

From July 1998 components are included in Accessory Kits MDA, MDB and MDH

Starter Motor

Insulated Return

Not Illustrated Description	Part Number	Cylinders			Remarks
		2	3	4	
Accessory Kit Code MEG - LPW/LPWS2	750-62762	1	-	-	
Accessory Kit Code MEA - LPW/LPWS3,4	750-62773	-	1	1	Replaces 750-61930
Accessory Kit Code MEA - LPWT4	750-62770	-	-	1	
Starter motor - LPW/S2	757-21700	1	-	-	Accessory Code MEG
Starter motor - LPW/LPWS3,4, LPWT4	757-26450	-	1	1	Accessory Code MEA. Replaces 362-03320
Bolt - M10 x 55mm	272-00759	2	2	2	
Washer	272-00694	2	2	2	
Mounting bracket	751-60200	1	1	1	
Relay	757-14981	1	1	1	
Solenoid	351-31480	1	1	1	
Nut	064-31345	2	2	2	
Spring washer	064-31346	2	2	2	
Screw - M5 x 10mm	272-00690	4	4	4	
Washer - M5	272-00687	4	4	4	
Nut - M5	272-00678	4	4	4	
Circuit breaker	366-08092	1	1	1	
Cable assembly	757-61410	1	1	1	
Terminal protection boot	757-24310	1	1	1	Not supplied in LPWT4 kit
Glowplug relay assembly	757-62180	1	1	1	Not supplied in LPWT4 kit

Alternator - LPW, LPWS

70A Auxiliary

Not Illustrated Description	Part Number	Cylinders			Remarks
		2	3	4	
Accessory Kit Code MED	750-64040	1	1	1	
Alternator	382-09236	1	1	1	
Pulley - 61.5mm diameter	751-10964	1	1	1	
Adjusting link	751-11102	1	1	1	
Distance piece	751-11110	1	1	1	
Spacer - M8 x 22mm	751-45300	1	1	1	
Setscrew - M8 x 20mm	272-00665	1	1	1	
Bolt - M8 x 125mm	272-00671	1	1	1	
Washer - M8	272-00715	4	4	4	
Spring washer - M8	272-00071	3	3	3	
Nut - M8	272-00680	1	1	1	
Bolt - M8 x 50mm	272-00668	1	1	1	
Belt	751-17830	1	1	1	
Alternator plug assembly	757-19520	1	1	1	
Spacer	751-13220	1	1	1	
Cable tie	064-32790/001	5	5	5	
Screw - M5 x 12mm	270-00660	1	1	1	
Nut - M6	272-00679	1	1	1	
Washer - M6	272-00688	1	1	1	
Washer	354-24890	4	4	4	
Cable clip	382-08078	1	1	1	
Pipe clip	389-04686	1	1	1	
Earth terminal adaptor	757-22360	1	1	1	
Extension loom assembly	757-60930	1	1	1	
Cable loom and relay box	757-62131	1	1	1	
Connection wiring diagram	742-00802				

Alternator - LPW/ LPWS3, 4

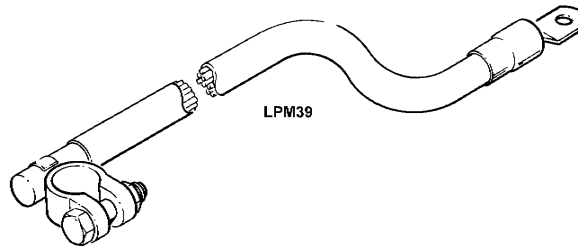
55A and 100A Auxiliary

Illustration No	LPM43 Description	Part Number	Cylinders		Remarks
			3	4	
	Accessory Kit Code MEK	750-63150	1	1	55 Amp Alternator. Build 42 only
	Accessory Kit Code MEM	750-63151	1	1	55 Amp Alternator. Build 47 only
	Accessory Kit Code MEL	750-62890	-	1	100 Amp Alternator
-	Alternator	362-02344	1	1	Accessory Code MEK and MEM
1	Alternator	757-60530	-	1	Accessory Code MEL
2	Pulley - 61.5mm diameter	751-10964	1	1	
3	Crankshaft pulley	757-60520	1	1	
4	Screw - M8	272-00698	4	4	
5	Bracket	757-60650	1	1	
6	Setscrew - M8 x 20mm	272-00665	2	2	
7	Bolt - M8 x 55mm	272-00710	1	1	
8	Bolt - M8 x 40mm	272-00716	3	3	
9	Spring washer	272-00360	8	8	
10	Nut - M8	272-00680	5	5	
11	Bolt - M8 x 125mm	272-00671	2	2	Replaces 272-00790
12	Spacer	751-45300	1	1	Replaces 751-40312
13	Link	757-60700	1	1	
14	Link	757-60710	1	1	
15	Capscrew	704256	1	1	
16	Washer	272-00715	9	9	
17	Belt	757-60720	2	2	1 in Accessory Code MEK
-	Belt	757-60721	1	1	Accessory Code MEK
18	Stem	734-13410	-	1	Accessory Code MEL
19	Olive	351-21640	-	1	Accessory Code MEL

Battery Leads

Illustration LPM39 Description	Part Number	Cylinders			Remarks
		2	3	4	
Accessory Kit Code MEN	750-60010	1	1	1	
Battery lead	064-07172/013	1	1	1	
Battery lead	064-07172/033	1	1	1	

Illustration LPM39



Fuel Filter

Remote fittings - LPWT

Not Illustrated Description	Part Number	LPWT4	Remarks
Accessory Kit Code MFG	750-63710	1	
Hose clamp	027-10094	4	
Union	202-42371	4	
Spring washer	272-00360	1	
Setscrew - M8 x 20mm	272-00665	1	
Nut - M6	272-00679	1	
Bolt - M6 x 15mm	272-00719	1	
Olive	351-21640	4	
Bracket	751-18630	1	
Stem	751-60090	4	
Hose	757-61791	2	
Joint block	757-62380	1	
Spring washer	786378	1	

Fuel Control Solenoid - LPW/LPWS

Early type - earth return

Not Illustrated Description	Part Number	Cylinders			Remarks
		2	3	4	
Solenoid	757-15903	1	1	1	
Push pull rod - LPW/LPWS2	757-18190	1	-	-	
Push pull rod - LPW/LPWS3,4	854-01066	-	1	1	
Bracket	757-16370	1	1	1	
Split pin	027-01986	3	3	3	
Bolt - LPW/LPWS2	272-00634	1	-	-	
Mounting bracket	854-01068	1	1	1	
Distance piece	854-01061	1	1	1	
Distance piece	854-01067	1	1	1	
Stop/run lever	365-35186	1	1	1	
Spring	382-07369	1	1	1	
Washer - LPW/LPWS3,4	785351	-	2	2	
Shouldered Nut - LPW/LPWS3,4	757-18510	-	1	1	
Bolt - LPW/LPWS4	272-00690	-	-	2	

Fuel Control Solenoid - LPW/LPWS

Early type - insulated return

Not Illustrated Description	Part Number	Cylinders			Remarks
		2	3	4	
Solenoid	757-15903	1	1	1	
Push pull rod - LPW/LPWS2	757-18191	1	-	-	
Push pull rod - LPW/LPWS3,4	854-01181	-	1	1	
Bracket	757-16370	1	1	1	
Split pin	027-01986	1	1	1	
Washer	785351	1	1	1	
Stop/run lever	365-35186	1	1	1	
Screw - M5 x 12mm	272-00728	1	1	1	
Nut	707203	1	1	1	
Wiring harness	064-40764	1	1	1	
Fuse link	064-40791	1	1	1	
Relay	382-07974	1	1	1	
Lockwasher - LPW/LPWS3,4	786605	-	2	2	

Protection Switches

Oil Pressure Switch

Not Illustrated Description	Part Number	Cylinders			Remarks
		2	3	4	
Oil pressure switch - LPW3,4	803-02261	-	1	1	Build 48
Adaptor - LPW3,4	757-17650	-	1	1	Build 48
Switch - LPW3,4	757-23660	-	1	1	Build 48

Oil pressure sender

Not Illustrated Description	Part Number	Cylinders			Remarks
		2	3	4	
Accessory Kit Code MJM	750-63130	1	1	1	
Oil pressure sender	803-02174	1	1	1	

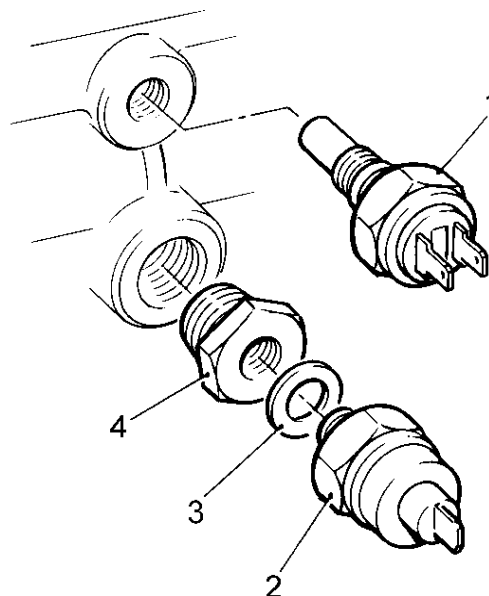
Water temperature switch

Not Illustrated Description	Part Number	Cylinders			Remarks
		2	3	4	
Accessory Kit Code MJC - LPW/S2,3,4	750-61450	1	1	1	
Switch	858-00398/001	1	1	1	

Temperature gauge sender

Illustration LPM44 No. Description	Part Number	Cylinders			Remarks
		2	3	4	
Accessory Kit Code MJN	750-63140	1	1	1	
1 Temperature sender	757-24000	1	1	1	
2 Headstat switch	329-15140	1	1	1	
3 Copper washer	201-11890	1	1	1	
4 Adaptor	757-17400	1	1	1	

Illustration LPM44



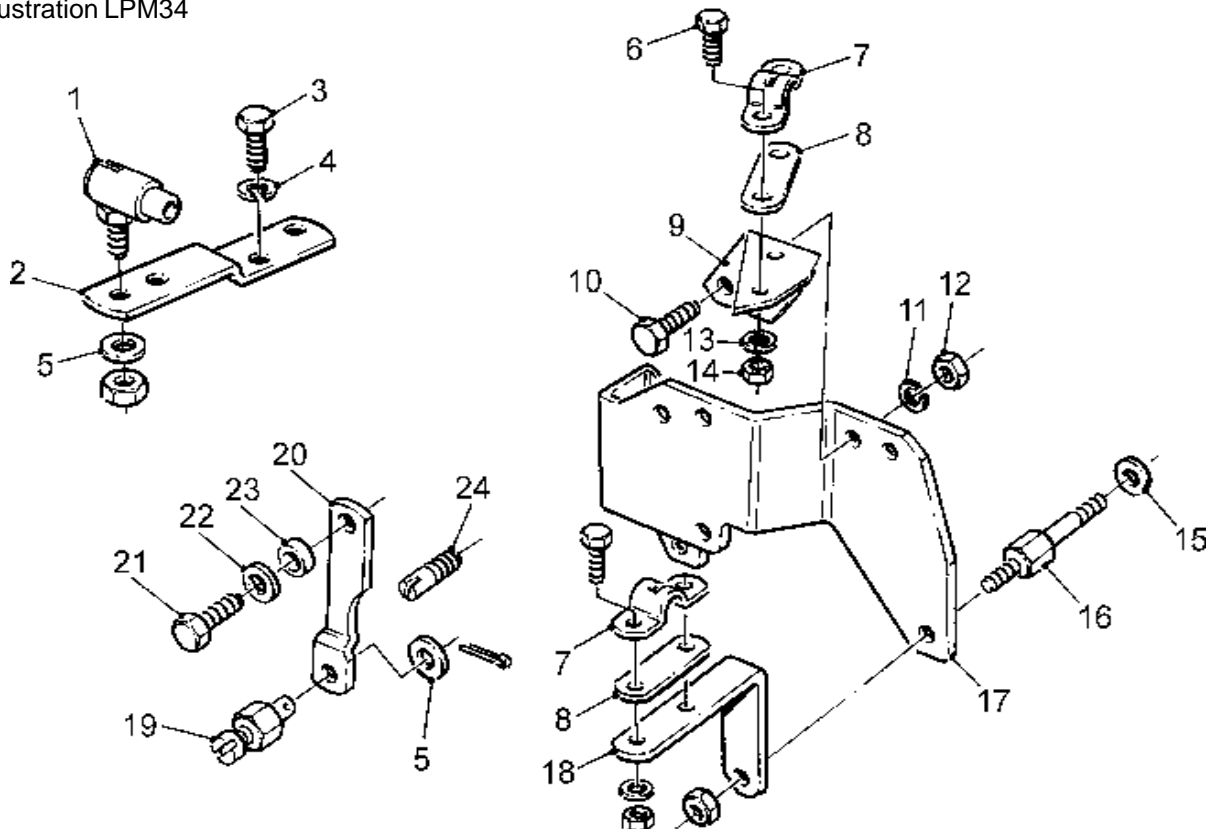
Morse Type Fittings

Later type

Illustration LPM34

No.	Description	Part Number	Cylinders			Remarks
			2	3	4	
	Accessory Kit Code MKH	750-62200	1	1	1	Engine fittings for control cable and fuel control solenoid. Comprises items 1-14
	Accessory Kit Code MKI	750-62380	1	1	1	Engine fittings for control cable only. Comprises no's 1-24
1	Ball Joint	389-02900	1	1	1	
2	Connection Plate	757-13990	1	1	1	
3	Screw - M6	272-00676	1	1	1	
4	Spring Washer	786378	1	1	1	
5	Washer	785352	2	2	2	
6	Screw - M6	272-00661	2	2	2	
7	Cable Clamp	389-02901	2	2	2	Accessory Kit MKH contains 1
8	Cable Clamp Shim	757-60620	2	2	2	Accessory Kit MKH contains 1
9	Bracket	757-60150	1	1	1	
10	Screw - M5	272-00728	2	2	2	
11	Spring Washer	786303	4	4	4	Accessory Kit MKH contains 2
12	Nut - M5	272-00678	4	4	4	Accessory Kit MKH contains 2
13	Washer - M6	272-00688	1	1	1	Accessory Kit MKH contains 2
14	Nut - M6	272-00679	4	4	4	Accessory Kit MKH contains 2
15	Washer	785351	2	2	2	
16	Stud	757-18240	2	2	2	
17	Bracket	757-22950	1	1	1	
18	Cable Clamp Bracket	757-60780	1	1	1	
19	Cable Swivel Connector	366-07071	1	1	1	
20	Lever	757-14581	1	1	1	
21	Screw - M5	272-00690	1	1	1	
22	Washer - M5	272-00687	1	1	1	
23	Spacer	757-19020	1	1	1	
24	Strike Pin	757-19030	1	1	1	

Illustration LPM34



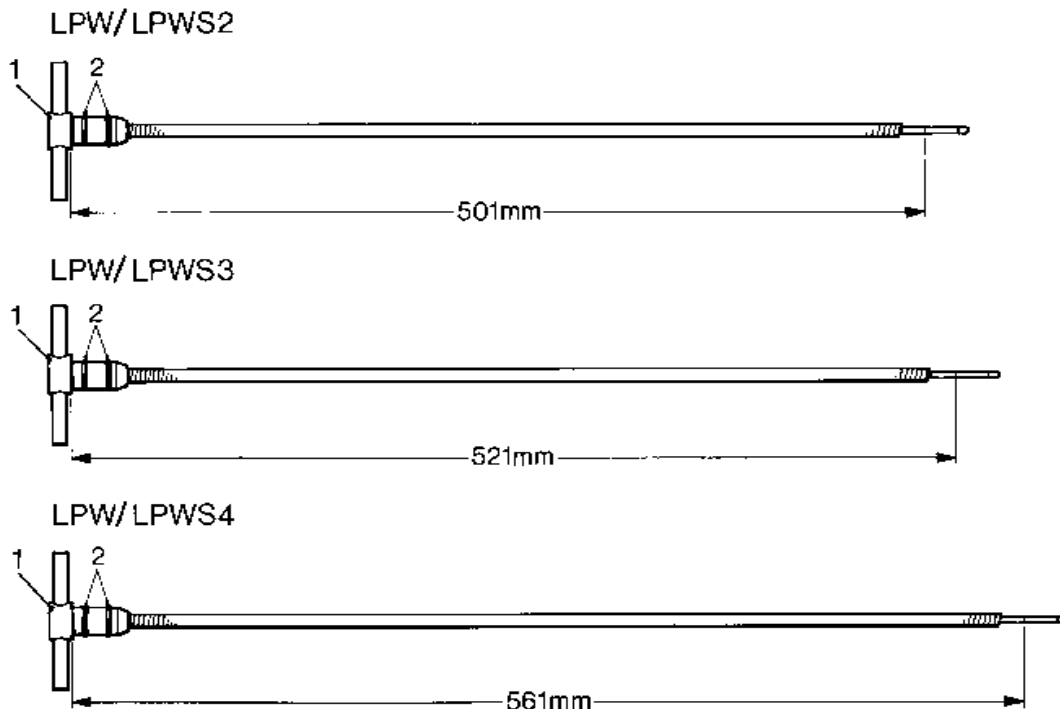
Crankcase Mounted Dipstick - LPW/LPWS

Not Illustrated Description	Part Number	Cylinders			Remarks
		2	3	4	
Former Accessory Kit Code MLH - LPW/S2	750-63821	1	-	-	
Accessory Kit Code MLH - LPW/LPWS3,4	750-63822	-	1	1	
Dipstick assembly - LPW/LPWS2	752-15120	1	-	-	
Dipstick assembly - LPW/LPWS3,4	754-15120	-	1	1	
'O' ring	201-13120	1	1	1	

Extended Oil Dipstick - LPW/LPWS

Illustration LPM1 No. Description	Part Number	Cylinders			Remarks
		2	3	4	
1 Dipstick - LPW/LPWS2	803-02283	1	-	-	Stamped 2 on handle
- Dipstick - LPW/LPWS3	803-02284	-	1	-	Stamped 3 on handle
- Dipstick - LPW/LPWS4	803-02285	-	-	1	Stamped 4 on handle
- Dipstick - LPW3,4	757-23283	-	1	1	Build 48
2 'O' ring	803-02282	2	2	2	
- 'O' ring	201-13120	-	1	1	Build 48
- Dipstick tube - LPW/LPWS2	803-02275	1	-	-	
- Dipstick tube - LPW/LPWS3	803-02276	-	1	-	
- Dipstick tube - LPW/LPWS4	803-02277	-	-	1	
- Dipstick tube - LPW3,4	757-23230	-	1	1	Build 48
- Taptight screw	757-15380	1	1	1	

Illustration LPM1



Sump Pump

Flywheel end mounted - early type

Illustration LPM32 No. Description	Part Number	Cylinders			Remarks
		2	3	4	
1 Bracket	854-00341	1	1	1	
2 Sump pump	757-60040	1	1	1	
3 Copper washer	013-22350	1	1	1	
4 Union	007-00441	1	1	1	
5 Seal	031-66828	2	2	2	
6 Union	356-31610	1	1	1	
7 Union	362-03364	1	1	1	
8 Ball valve	808-40008	1	1	1	
9 Flexible pipe	854-00647	1	1	1	

Flywheel end mounted - later type

Illustration LPM54 No. Description	Part Number	Cylinders			Remarks
		2	3	4	
Accessory Kit Code MLD - LPW/LPWS2	750-62050	1	-	-	
Accessory Kit Code MLD - LPW/LPWS3,4, LPWT4	750-62070	-	1	1	
1 Sump Pump Assembly	757-60041	1	1	1	
2 Bracket		1	1	1	
3 Ball valve	757-60470	1	1	1	
4 Seal	757-61940	1	1	1	
5 Union	757-61930	1	1	1	
6 Flexible pipe	757-60490	1	-	-	
- Flexible pipe	757-60510	-	1	1	
7 Union	362-03364	1	1	1	
8 Screw - M6	272-00661	2	2	2	
9 Spring washer	786378	2	2	2	
10 Nut - M6	272-00679	2	2	2	

Gear end mounted

Illustration LPM55 No. Description	Part Number	Cylinders			Remarks
		2	3	4	
Accessory Kit Code MLF - LPW/LPWS2,3	750-62742	1	1	-	Replaces 750-62740
Accessory Kit Code MLF - LPW/LPWS/LPWT4	750-62751	-	-	1	Replaces 750-62750
1 Sump pump assembly	757-60041	1	1	1	
2 Bracket		1	1	1	
3 Ball valve	757-60470	1	1	1	
4 Seal	757-61940	1	1	1	
5 Union	757-61930	1	1	1	
- Flexible pipe assembly - LPW/LPWS2,3	750-63870	1	1	-	Replaces 757-61490
- Flexible pipe assembly - LPW/LPWS/LPWT4	750-63871	-	-	1	Replaces 757-61500
6 Sump drain pipe - LPW/LPWS2,3		1	1	-	
- Sump drain pipe - LPW/LWS/LPWT4		-	-	1	
7 Union	757-61970	1	1	1	Replaces 362-03364
8 Adaptor	757-61960	1	1	1	
9 Copper washer	291-30630	2	2	2	Replaces 757-61480
10 Bolt	272-00776	2	2	2	
11 Screw - M6	272-00661	2	2	2	
12 Nut - M6	272-00679	2	2	2	
13 Spring washer	786378	2	2	2	
14 Mounting bracket	757-60860	1	1	1	

Exhaust Silencer

Wet type silencer

Illustration LPM25 No. Description	Part Number	Cylinders			Remarks
		2	3	4	
Accessory Kit Code MNH - LPW/LPWS2,3	750-60220	1	1	-	
Accessory Kit Code MNH - LPW/LPWS/LPWT4	750-61150	-	-	1	
1 Water lock silencer - LPW/LPWS2,3	360-03884	1	1	-	
- Water lock silencer - LPW/LPWS/LPWT4	360-03885	-	-	1	
- Hose clip - LPW/LPWS2,3	027-04692	2	2	-	
- Hose clip - LPW/LPWS4	027-04693	-	-	2	

Dry Type Silencer

Illustration LPM24 No. Description	Part Number	Cylinders			Remarks
		2	3	4	
Accessory Kit Code MNB	750-60180	1	1	1	Flexible exhaust bellows Accessory Kit; items 7 and 8
Accessory Kit Code MNC	750-60280	1	1	1	Dry exhaust silencer Accessory Kit; items 1-6
1 Silencer	854-00066	1	1	1	
2 Flange	366-01265	2	2	2	
3 Joint	366-01266	2	2	2	
4 Bolt	270-00229	8	8	8	
5 Washer	027-00394	8	8	8	Replaces 064-02582/006
6 Nut	270-00006	8	8	8	
7 Flexible exhaust bellows	803-01098	1	1	1	
8 Pipe	027-00802	1	1	1	
9 Skin fitting	360-03878	1	1	1	See Accessory Code MND

Exhaust Fittings

Skin Fittings

Illustrations LPM19, LPM20, LPM21

No.	Description	Part Number	Cylinders			Remarks
			2	3	4	
	Accessory Kit Code MNG - LPW/LPWSS2,3	750-60210	1	1	-	Wet exhaust pipe. - LPM19
	Accessory Kit Code MNG - LPW/LPWS/LPWT4	750-61140	-	-	1	Wet exhaust pipe. - LPM19
	Accessory Kit Code MNI - LPW/LPWS2,3	750-60230	1	1	-	Wet exhaust skin fittings. - LPM19
	Accessory Kit Code MNI - LPW/LPWS4	750-61160	-	-	1	Wet exhaust skin fittings. - LPM19
	Accessory Kit Code MNJ	750-60240	1	1	1	Wet exhaust skin rubber. - LPM20
	Accessory Kit Code MND	750-60190	1	1	1	Dry exhaust skin fittings. - LPM21
1	Bronze wet fitting - LPW/LPWS2,3	362-03061	1	1	-	Accessory Code MNI
-	Bronze wet fitting - LPW/LPWS4	010-20207	-	-	1	Accessory Code MNI
2	Wet skin fitting - rubber	360-03890	1	1	1	Accessory Code MNJ
3	Dry skin fitting	360-03878	1	1	1	Accessory Code MND
4	Hose - LPW/LPWS2,3	854-00012	1	1	-	Accessory Code MNG
-	Hose - LPW/S4	360-03888	-	-	1	Accessory Code MNG
5	Hose clip - LPW/LPWS2,3	027-04692	2	2	-	Accessory Code MNG
-	Hose clip - LPW/LPWS4	027-04693	-	-	2	Accessory Codes MNG, MNI

Dry Exhaust Flange - LPW/LPWS

Illustration LPM22

No.	Description	Part Number	Cylinders			Remarks
			2	3	4	
	Accessory Code MNE	750-60830	1	1	1	Replaces 750-60200
1	Exhaust flange	854-01135	1	1	1	
2	Gasket	854-01119	1	1	1	
3	Stud	272-00108	4	4	4	
4	Spring washer	272-00360	4	4	4	
5	Nut	272-00680	4	4	4	

Dry Exhaust Flange - LPWT4

Illustration LPM56

No.	Description	Part Number	LPWT4	Remarks
	Accessory Code MNE - LPWT4	750-63830	1	
1	Exhaust flange	010-21801	1	
2	Screw - M10 x 30mm	272-00697	2	
3	Manifold flange joint	366-01287	1	
4	Elbow	804-01030/004	1	

Exhaust Fittings

Water Injected Bend - LPW/LPWS

Illustration LPM23		Cylinders			Remarks
No.	Description	Part Number	2	3	
	Accessory Kit Code MNK - LPW/LPWS2,3	750-60250	1	1	-
	Accessory Kit Code MNK - LPW/LPWS4	750-61170	-	-	1
1	Manifold bend - LPW/LPWS2,3	854-01189	1	1	-
-	Manifold bend - LPW/LPWS4	854-01173	-	-	1
2	Gasket	854-01119	1	1	1
3	Stud	272-00108	4	4	4
4	Spring washer	272-00360	4	4	4
5	Nut	272-00680	4	4	4

Water Injected Bend - LPWT4

Illustration LPM45		Part Number	LPWT4	Remarks
No.	Description			
	Accessory Kit Code MNK	750-63580	1	
1	Hose clip	027-04687	2	
2	Spring washer	272-00360	4	
3	Setscrew - M8	272-00040	2	See Note
4	Bolt - M8 x 55mm	272-00113	2	See Note
5	Flange joint	754-42531	1	
6	Hose bend	757-61691	1	
7	Water/exhaust outlet	757-61861	1	
8	Water pipe	757-62190	1	

Note:

The water/exhaust outlet was previously mounted using 4 nuts (272-00680) and 4 studs (2 each of 709625 and 709635)

Engine Bearers

Illustration LPM58		Cylinders			Remarks	
Code/No.	Description	Part Number	2	3		4
A	Accessory Kit Code MQB	750-60500	1	-	1	Gear end
B	Accessory Kit Code MQB	750-60501	-	1	-	Replaces 750-60500
1	Wide bearer	803-02332	1	-	1	
2	Wide bearer	757-63040	-	1	-	Replaces 803-02332
3	Self-lock setscrew - M10 x 25mm	272-00621	7	7	7	
C	Accessory Kit Code MQC	750-60510	1	1	1	Gear end
1	Narrow bearer	803-02331	1	1	1	
2	Self-lock setscrew - M10 x 25mm	272-00621	4	4	4	
3	Screw - M10 x 25mm	272-00707	1	1	1	
D	Accessory Kit Code MQD	750-60520	1	-	1	Flywheel end. See Note ¹
E	Accessory Kit Code MQD	750-60521	-	1	-	Replaces 750- 60520
1	Wide bearer	803-02200	2	-	2	
2	Wide bearer	757-63050	-	2	-	Replaces 803-02200
3	Bolt - M10 x 35mm	272-00692	4	4	4	
4	Bearer side rail - fuel pump side	757-63060	-	1	-	
5	Bearer side rail - starter motor side	757-63070	-	1	-	
6	Setscrew	272-00697	-	8	-	
7	Nut	272-00681	-	8	-	
8	Spring washer	272-00311	-	8	-	
F	Accessory Kit Code MQE	750-60530	1	1	1	Flywheel end
1	Narrow bearer	803-02199	2	2	2	
2	Bolt - M10 x 35mm	272-00692	4	4	4	
G	Accessory Kit Code MQF - LPW/LPWS/LPWT4	750-61280	-	-	1	Flywheel end. See Note ²
H	Accessory Kit Code MQF - LPW/LPWS3	750-61281	-	1	-	Replaces 750-61280
1	Wide bearer - fuel pump side	803-02205	-	-	1	
2	Wide bearer - starter motor side	803-02206	-	-	1	
3	Wide bearer - fuel pump side	757-63090	-	1	-	Replaces 803-02205
4	Wide bearer - starter motor side	757-63100	-	1	-	Replaces 803-02206
5	Spring washer - M12	272-00073	-	4	4	
6	Screw - M12 x 25mm	272-00712	-	4	4	
7	Bearer side rail - fuel pump side	757-63120	-	1	-	
8	Bearer side rail - starter motor side	757-63110	-	1	-	
9	Setscrew	272-00697	-	8	-	
10	Nut	272-00681	-	8	-	
11	Spring washer	272-00311	-	8	-	

Notes:

1. Accessory Kit Code MQD is to suit Delta, Hurth HBW 50, 100, 150, 250 and Newage PRM 150 Gearbox.
2. Accessory Kit Code MQF is to suit Newage PRM 260 Gearbox.

Drip Tray Anti-vibration Mountings

Not Illustrated Description	Part Number	Cylinders		Remarks
		2	3	
Former Accessory Kit Code MQA - LPWS2	750-61490	1	-	
Former Accessory Kit Code MQA - LPWS3	750-61610	-	1	
Anti-vibration mounting	362-03294	4	4	
Pipe	803-01023/003	1	1	
Bush	803-01403/001	1	1	
Drip tray - LPWS2	854-01033	1	-	
Drip tray - LPWS3	854-01034	-	1	
Elbow	027-00213	1	1	
Pipe	027-04240	1	-	
Pipe	027-05460	-	1	
Pipe	027-05808	-	1	
Cap nut	025-00251	-	1	
Joint	027-04931	-	1	
Nut	272-00005	-	2	
Spring washer	272-00073	-	2	
Bolt - M12 x 40mm	272-00081	-	2	

Anti-vibration Mountings

Illustration LPM31 No. Description	Part Number	Cylinders			Remarks
		2	3	4	
Accessory Kit Code MQG	750-61900	1	1	1	Standard
Accessory Kit Code MQH	750-61920	1	1	1	Deluxe for sail boat
Accessory Kit Code MQI	750-62191	1	1	1	Deluxe for work boat
1 Anti-vibration mounting	803-02197	4	4	4	Accessory Code MQG
- Anti-vibration mounting	854-01252	4	4	4	Accessory Code MQH. Replaces 803-02467 and 854-01254
- Anti-vibration mounting	757-61830	4	4	4	Accessory Code MQI

Sterngear and Couplings

Illustration LPM28 No. Description	Part Number	Cylinders			Remarks
		2	3	4	
Accessory Kit Code MYA	750-60640	1	1	1	Pilot bored tailshaft coupling.
Accessory Kit Code MYB	750-60650	1	1	1	Split boss tailshaft coupling 1" bore for 1:1 gearbox reduction
Accessory Kit Code MYC	750-60660	1	1	1	1" diameter tailshaft. See Note ¹
Accessory Kit Code MYD	750-60670	1	1	1	1" diameter tailshaft. See Note ²
Accessory Kit Code MYG	750-60700	1	1	1	Flexible disc coupling (for use with Accessory Codes MYA, MYB & MYH).
Accessory Kit Code MYH	750-60710	1	1	1	Split boss tailshaft coupling. 1 1/4" bore for 3:1 gearbox reduction.
Accessory Kit Code MYI	750-60720	1	1	1	25mm bore flexible tailshaft coupling.
Accessory Kit Code MYJ	750-60730	1	1	1	30mm bore flex. tailshaft coupling.
Accessory Kit Code MYK	750-61060	-	1	1	Flexible coupling disc.
Former Accessory Kit Code MYL	750-61370	-	-	1	Uniflex coupling 12.
Former Accessory Kit Code MYM	750-61380	-	1	1	Uniflex coupling 16.
Accessory Kit Code MYN	750-61840	-	-	1	Taper shaft coupling.
1 Coupling - pilot bored	329410	1	1	1	Accessory Code MYA.
2 Coupling - split boss 25mm	362-03062	1	1	1	Accessory Code MYB, LPW/LPWS only.
- Coupling - split boss 31.75	854-01175	1	1	1	Accessory Code MYH.
3 Sterngear - 1500 2:1	360-03918/003	1	1	1	Accessory Code MYC, LPW/LPWS only.
- Sterngear - 2000 2:1	360-03918/004	1	1	1	Accessory Code MYD, LPW/LPWS only.
- Sterngear - 1500 3:1	360-03975/005	1	1	1	Accessory Code MYE.
- Sterngear - 2000 3:1	360-03975/006	1	1	1	Accessory Code MYF.
4 Flexible coupling disc	854-01174	1	1	1	Accessory Code MYG.
- Flexible coupling - 25mm bore	854-01176	1	1	1	Accessory Code MYI, LPW/LPWS only.
- Flexible coupling - 30mm bore	854-01177	1	1	1	Accessory Code MYJ.
- Flexible coupling	362-00890	-	1	1	Accessory Code MYK.
- Bolt	270-00352	-	4	4	Accessory Code MYK.
- Self-lock Nut	270-00311	-	4	4	Accessory Code MYK.
- Uniflex coupling	648-00647	-	1	1	Accessory Code MYM.
- Uniflex coupling	648-00648	-	-	1	Accessory Code MYL.
- Half coupling	606-00662	-	-	1	Accessory Code MYN.

Gearbox Adaptor and Drive

For Hurth HBW or Borg Warner 500 Series

Illustration LPM3 No. Description	Part Number	Cylinders			Remarks
		2	3	4	
Accessory Kit Code MVP	750-60410	1	1	1	
1 Damper driver plate	362-03100	1	1	1	
2 Gearbox adaptor	854-00976	1	1	1	
3 Screw - M8 x 16mm	272-00038	6	6	6	
4 Spring washer - M8	272-00360	6	6	6	
5 Washer - M10	272-00694	8	8	8	
6 Screw - M10 x 30mm	272-00692	6	6	6	Replaces 272-00697
7 Bolt - M10 x 60mm	272-00732	2	2	2	Replaces 272-00731
- Lock washer - M10	272-00311	8	8	8	

For Newage PRM 150 Gearbox

Illustration LPM4A No. Description	Part Number	Cylinders			Remarks
		2	3	4	
Accessory Kit Code MVQ	750-63022	1	1	1	Replaces 750-60420 & 750-63020
Accessory Kit Code MVQ - LPWT4	750-63022	-	-	1	Replaces 750-63021
1 Drive plate	757-61524	1	1	1	Replaces 854-01161 & 757-61520
- Drive plate - LPWT4	757-61524	-	-	1	Replaces 757-61523
2 Screw - M8 x 20mm	272-00665	6	6	6	
3 Spring washer - M8	272-00360	6	6	6	
4 Gearbox adaptor	854-00976	1	1	1	Replaces 854-00975
5 Washer - M10	272-00694	8	8	8	
6 Screw - M10 x 30mm	272-00697	6	6	6	
7 Bolt - M10 x 60mm	272-00731	2	2	2	
8 Gearbox adaptor	854-00975	1	1	1	Used for earlier Delta gearbox
- 'O' ring	362-03137	1	1	1	For Delta gearbox

For Newage PRM 260 Gearbox

Illustration LPM5 No. Description	Part Number	Cylinders		Remarks
		3	4	
Accessory Kit Code MVR	750-60980	1	1	
Accessory Kit Code MVR - LPWT4	750-60982	-	1	
1 Damper drive plate	648-00400	1	1	
- Damper drive plate - LPWT4	757-61522	-	1	
2 Setscrew - M8 x 20mm	272-00665	6	6	
3 Spring washer - M8	272-00360	6	6	
4 Spacer	751-13220	6	6	
5 Adaptor flange	362-03053	1	1	
6 Spacer ring	757-12920	1	1	
7 Stud - M10 x 100mm	272-00058	2	2	Replaces 605-00060 & 272-00068
8 Stud - M10 x 90mm	709658	6	6	Replaces 270-00248 & 272-00058
9 Nut - M10	272-00681	8	8	
10 Washer - M10	272-00694	8	8	

Caution:

From 1st January 1995 fixings for the adaptor plate were changed from UNC to Metric equivalents

Hurth HBW 150 Gearbox Adaptor and Drive Member - LPWT4

Not Illustrated Description	Part Number	LPWT4	Remarks
Accessory Kit Code MVD	750-63680	1	HBW150 1.88:1
Accessory Kit Code MVJ	750-63681	1	HBW150A 2:1
Gearbox	361052	1	Accessory Code MVD
Gearbox	751-60160	1	Accessory Code MVJ
Damper Drive Plate	757-62530	1	
Gearbox Adaptor	854-00976	1	
Screw - M8	272-00039	6	
Setscrew - M8	272-00040	6	
Washer - M10	272-00694	8	
Screw - M10	272-00697	6	
Spring Washer - M8	272-00360	12	
Bolt - M10	272-00731	2	
Spacer	751-13220	6	Replaces 027-04775
Washer	027-00082	6	

Hurth HBW 250 Gearbox, Adaptor and Drive Member - LPWT4

Not Illustrated No. Description	Part Number	LPWT4	Remarks
Accessory Kit Code MVN	750-63670	1	HBW250 1.88:1
Accessory Kit Code MVO	750-63770	1	HBW250 2.74:1
Gearbox	757-62360	1	Accessory Code MVN
Gearbox	362-01496	1	Accessory Code MVO
Damper drive plate	757-62531	1	
Gearbox adaptor	854-00977	1	
Screw - M8	272-00039	6	
Washer - M10	272-00694	8	
Screw - M10	272-00697	6	
Spring washer - M8	272-00360	6	
Bolt - M10	272-00731	2	
Spacer	751-13220	6	Replaces 027-04775
Screw	752695	6	
Washer	786081	6	
Flange assembly	362-01517	1	

Hurth Gearbox Adaptor Kits - LPWT4

Not Illustrated No. Description	Part Number	LPWT4	Remarks
Accessory Kit Code MVP	750-63781	1	HBW 150
Accessory Kit Code MVS	750-63782	1	HBW 250
Damper drive plate	757-62530	1	Accessory Code MVP
Damper drive plate	757-62531	1	Accessory Code MVS
Gearbox adaptor	854-00976	1	Accessory Code MVP
Gearbox adapter	854-00977	1	Accessory Code MVS. Replaces 854-00976
Screw - M8	272-00039	6	
Washer - M10	272-00694	8	
Screw - M10	272-00697	6	
Spring washer - M8	272-00360	6	
Bolt - M10	272-00731	2	
Spacer	751-13220	6	Replaces 027-04775
Screw	752695	6	Accessory Code MVS
Washer	786081	6	Accessory Code MVS

Gearbox - Hurth

Illustration No.	LPM6 Description	Part Number	Cylinders			Gearbox/Ratio
			2	3	4	
20	Oil drain plug	606-12200/001	1	1	1	
21	Bolt	606-12149/003	14	14	14	
22	Nut	606-12147/001	8	10	11	
23	'O' ring	606-12134/014	1	-	-	2:1
-	'O' ring	606-12134/012	1	-	-	3:1
-	'O' ring	606-12134/012	-	1	-	2:1
-	'O' ring	606-12134/013	-	1	-	3:1
-	'O' ring	606-12134/013	-	-	1	
-	'O' ring	606-12134/013	1	1	1	HBW125
24	Intermediate gear shaft	606-12196/004	1	-	-	2:1
-	Intermediate gear shaft	606-12196/005	1	-	-	3:1
-	Intermediate gear shaft	606-12196/005	-	1	-	2:1
-	Intermediate gear shaft	606-12196/006	-	1	-	3:1
-	Intermediate gear shaft	606-12196/006	-	-	1	
-	Intermediate gear shaft	606-12196/006	1	1	1	HBW125
25	Retaining plate	606-12190/005	2	-	-	2:1, 3:1
-	Retaining plate	606-12190/005	-	2	-	2:1
-	Retaining plate	606-12190/006	-	2	-	3:1
-	Retaining plate	606-12190/006	-	-	2	
-	Retaining plate	606-12190/006	2	2	2	HBW125
26	Intermediate gear	606-12141/001	1	-	-	2:1
-	Intermediate gear	606-12141/002	1	-	-	3:1
-	Intermediate gear	606-12141/002	-	1	-	2:1
-	Intermediate gear	606-12141/003	-	1	-	3:1
-	Intermediate gear	606-12141/003	-	-	1	
-	Intermediate gear	606-12141/003	1	1	1	HBW125
27	Needle bearing cage	606-12130/016	1	-	-	2:1
-	Needle bearing cage	606-12130/017	1	-	-	3:1
-	Needle bearing cage	606-12130/017	-	1	-	2:1
-	Needle bearing cage	606-12130/018	-	1	-	3:1
-	Needle bearing cage	606-12130/018	-	-	1	
-	Needle bearing cage	606-12130/018	1	1	1	HBW125
28	Seal	606-12134/003	4	-	-	2:1, 3:1
-	Seal	606-12134/003	-	4	-	2:1
-	Seal	606-12134/004	-	4	-	3:1
-	Seal	606-12134/004	-	-	4	
-	Seal	606-12134/004	4	4	4	HBW125
29	Loctite jointing compound					
30	Seal - input	606-12134/006	1	-	-	2:1, 3:1
-	Seal - input	606-12134/006	-	1	-	2:1
-	Seal - input	606-12134/008	-	1	-	3:1
-	Seal - input	606-12134/008	-	-	1	
-	Seal - input	606-12134/008	1	1	1	HBW125
31	Seal - output	606-12134/009	1	-	-	2:1, 3:1
-	Seal - output	606-12134/009	-	1	-	2:1
-	Seal - output	606-12134/010	-	1	-	3:1
-	Seal - output	606-12134/010	-	-	1	
-	Seal - output	606-12134/010	1	1	1	HBW125
32	Outer taper roller race - input	606-12130/001	2	-	-	2:1, 3:1
-	Outer taper roller race - input	606-12130/001	-	2	-	2:1
-	Outer taper roller race - input	606-12130/002	-	2	-	3:1
-	Outer taper roller race - input	606-12130/002	-	-	2	
-	Outer taper roller race - input	606-12130/002	2	2	2	HBW125
33	Taper roller bearing - input	606-12130/003	2	-	-	2:1, 3:1
-	Taper roller bearing - input	606-12130/003	-	2	-	2:1
-	Taper roller bearing - input	606-12130/004	-	2	-	3:1
-	Taper roller bearing - input	606-12130/004	-	-	2	
-	Taper roller bearing - input	606-12130/004	2	2	2	HBW125

Continued

Gearbox - Hurth

Illustration No.	LPM6 Description	Part Number	Cylinders			Gearbox/Ratio
			2	3	4	
34	Outer taper roller race - output	606-12130/001	2	-	-	2:1, 3:1
-	Outer taper roller race - output	606-12130/001	-	2	-	2:1
-	Outer taper roller race - output	606-12130/002	-	2	-	3:1
-	Outer taper roller race - output	606-12130/002	-	-	2	
-	Outer taper roller race - output	606-12130/002	2	2	2	HBW125
35	Taper roller bearing - output	606-12130/003	2	-	-	2:1, 3:1
-	Taper roller bearing - output	606-12130/003	-	2	-	2:1
-	Taper roller bearing - output	606-12130/004	-	2	-	3:1
-	Taper roller bearing - output	606-12130/004	-	-	2	
-	Taper roller bearing - output	606-12130/004	2	2	2	HBW125
36	Input shaft	606-12196/011	1	-	-	2:1
-	Input shaft	606-12196/013	1	-	-	3:1
-	Input shaft	606-12196/012	-	1	-	2:1
-	Input shaft	606-12196/014	-	1	-	3:1
-	Input shaft	606-12196/015	-	-	1	2:1
-	Input shaft	606-12196/014	-	-	1	3:1
-	Input shaft	606-12196/014	-	-	1	HBW125
37	Shim	606-12197/007	2	-	-	2:1, 3:1
-	Shim	606-12197/007	-	2	-	2:1
-	Shim	606-12197/008	-	2	-	3:1
-	Shim	606-12197/008	-	-	2	
-	Shim	606-12197/008	2	2	2	HBW125
38	Shim	606-12197/009	2	-	-	2:1, 3:1
-	Shim	606-12197/009	-	2	-	2:1
-	Shim	606-12197/010	-	2	-	3:1
-	Shim	606-12197/010	-	-	2	
-	Shim	606-12197/010	2	2	2	HBW125
39	Shim	606-12197/011	2	-	-	2:1, 3:1
-	Shim	606-12197/011	-	2	-	2:1
-	Shim	606-12197/012	-	2	-	3:1
-	Shim	606-12197/012	-	-	2	
-	Shim	606-12197/012	2	2	2	HBW125
40	Shim	606-12197/013	2	-	-	2:1, 3:1
-	Shim	606-12197/013	-	2	-	2:1
-	Shim	606-12197/014	-	2	-	3:1
-	Shim	606-12197/014	-	-	2	
-	Shim	606-12197/014	2	2	2	HBW125
41	Groove ring nut screw	606-12147/002	1	-	-	2:1
-	Groove ring nut screw	606-12147/003	1	-	-	3:1
-	Groove ring nut screw	606-12147/003	-	1	-	2:1
-	Groove ring nut screw	606-12147/004	-	1	-	3:1
-	Groove ring nut screw	606-12147/004	-	-	1	
-	Groove ring nut screw	606-12147/004	1	1	1	HBW125
42	Spacer	606-12197/004	1	-	-	2:1
-	Spacer	606-12197/004	1	-	-	3:1
-	Spacer	606-12197/005	-	1	-	2:1
-	Spacer	606-12197/006	-	1	-	3:1
-	Spacer	606-12197/006	-	-	1	
-	Spacer	606-12197/023	1	1	1	HBW125
43	Thrust ring	606-12130/005	1	-	-	2:1, 3:1
-	Thrust ring	606-12130/005	-	1	-	2:1
-	Thrust ring	606-12130/006	-	1	-	3:1
-	Thrust ring	606-12130/006	-	-	1	
-	Thrust ring	606-12130/006	1	1	1	HBW125
44	Forward gear - 43 teeth	606-12141/004	1	-	-	2:1
-	Forward gear - 49 teeth	606-12141/006	1	-	-	3:1
-	Forward gear - 43 teeth	606-12141/005	-	1	-	2:1
-	Forward gear - 50 teeth	606-12141/007	-	1	-	3:1
-	Forward gear - 45 teeth	606-12141/012	-	-	1	2:1
-	Forward gear - 50 teeth	606-12141/007	-	-	1	3:1
-	Forward gear - 45 teeth	606-12141/014	1	1	1	2:1 HBW125
-	Forward gear - 50 teeth	606-12141/015	1	1	1	3:1 HBW125

Continued

Gearbox - Hurth

Illustration LPM6 No. Description	Part Number	Cylinders			Gearbox/Ratio
		2	3	4	
55 Shim - 0,6mm	606-12197/019	2	-	-	2:1, 3:1
- Shim - 0,6mm	606-12197/019	-	2	-	2:1
- Shim - 0,6mm	606-12197/020	-	2	-	3:1
- Shim - 0,6mm	606-12197/020	-	-	2	
- Shim - 0,6mm	606-12197/020	2	2	2	HBW125
56 Shim - 0,7mm	606-12197/021	2	-	-	2:1, 3:1
- Shim - 0,7mm	606-12197/021	-	2	-	2:1
- Shim - 0,7mm	606-12197/022	-	2	-	3:1
- Shim - 0,7mm	606-12197/022	-	-	2	
- Shim - 0,7mm	606-12197/022	2	2	2	HBW125
57 Disc carrier	606-12063/003	2	-	-	2:1
- Disc carrier	606-12063/004	2	-	-	3:1
- Disc carrier	606-12063/004	-	2	-	2:1
- Disc carrier	606-12063/005	-	2	-	3:1
- Disc carrier	606-12063/005	-	-	2	
- Disc carrier	606-12063/006	2	2	2	HBW125
58 Ball	606-12130/019	6	-	-	2:1, 3:1
- Ball	606-12130/019	-	6	-	2:1
- Ball	606-12130/020	-	6	-	3:1
- Ball	606-12130/020	-	-	6	
- Ball	606-12130/020	6	6	6	HBW125
59 Guide sleeve	606-12166/001	1	-	-	2:1
- Guide sleeve	606-12166/002	1	-	-	3:1
- Guide sleeve	606-12166/002	-	1	-	2:1
- Guide sleeve	606-12166/003	-	1	-	3:1
- Guide sleeve	606-12166/003	-	-	1	
- Guide sleeve	606-12166/003	1	1	1	HBW125
60 Actuating sleeve	606-12166/004	1	-	-	2:1
- Actuating sleeve	606-12166/005	1	-	-	3:1
- Actuating sleeve	606-12166/005	-	1	-	2:1
- Actuating sleeve	606-12166/006	-	1	-	3:1
- Actuating sleeve	606-12166/006	-	-	1	3:1
- Actuating sleeve	606-12166/006	1	1	1	HBW125
61 Compression spring	606-12198/001	3	-	-	2:1, 3:1
- Compression spring	606-12198/001	-	3	-	2:1
- Compression spring	606-12198/002	-	3	-	3:1
- Compression spring	606-12198/002	-	-	3	
- Compression spring	606-12198/002	3	3	3	HBW125
62 Dent pin	606-12195/003	3	-	-	2:1, 3:1
- Dent pin	606-12195/003	-	3	-	2:1
- Dent pin	606-12195/004	-	3	-	3:1
- Dent pin	606-12195/004	-	-	3	
- Dent pin	606-12195/004	3	3	3	HBW125
63 Driving pin	606-12195/006	3	-	-	2:1, 3:1
- Driving pin	606-12195/006	-	3	-	3:1
- Driving pin	606-12195/007	-	3	-	2:1
- Driving pin	606-12195/007	-	-	3	
- Driving pin	606-12195/007	3	3	3	HBW125
64 Spring	606-12198/003	3	3	3	
65 Reverse gear - 41 teeth	606-12141/009	1	-	-	2:1
- Reverse gear - 41 teeth	606-12141/010	1	-	-	3:1
- Reverse gear - 41 teeth	606-12141/010	-	1	-	2:1
- Reverse gear - 43 teeth	606-12141/011	-	1	-	3:1
- Reverse gear - 43 teeth	606-12141/011	-	-	1	
- Reverse gear - 43 teeth	606-12141/013	1	1	1	HBW125

Continued.....

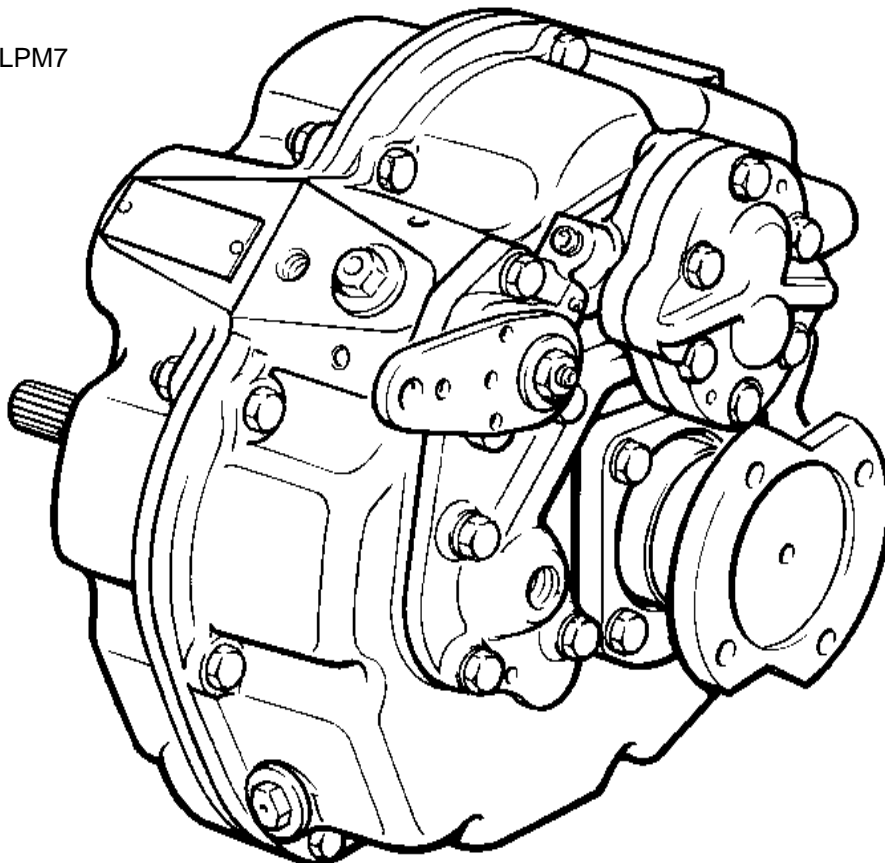
Gearbox - Newage PRM 150

Illustration LPM7 Description	Part Number	Cylinders			Remarks
		2	3	4	
Accessory Kit Code MVG	750-63002	1	1	1	PRM 150 D2 2.09:1. Replaces 750-63000 & 63001
Accessory Kit Code MVH	750-63003	1	1	1	PRM 150 D3 2.82:1. Replaces 750-63010 & 63011
Gearbox	757-62920	1	1	1	Accessory Code MVG. Replaces 362-01564
Gearbox	757-62930	1	1	1	Accessory Code MVH. Replaces 362-01873
Oil pump assembly	606-11220/004	1	1	1	
Oil pump repair kit	606-11221/013	1	1	1	
Clutch pack	606-11221/014	1	1	1	
'O' Ring kit	606-11221/015	1	1	1	
Piston ring kit	606-11221/017	1	1	1	
Gearbox fittings	362-01733	1	1	1	
Drive plate	757-61524	1	1	1	Replaces 757-61520 and 61523
Gearbox adaptor	854-00976	1	1	1	Replaces 854-00975
Screw - M8 x 20mm	272-00665	6	6	6	
Spring washer - M8	272-00360	12	12	12	
Screw - M8 x 30mm	272-00739	6	6	6	
'O' ring	362-03137	1	1	1	
Washer - M10	272-00694	8	8	8	
Screw - M10 x 30mm	272-00697	6	6	6	
Bolt - M10 x 60mm	272-00731	2	2	2	
Washer - M8	272-00715	6	6	6	

Note:

The Newage PRM 150 gearbox is a replacement for the Newage Delta gearbox.

Illustration LPM7



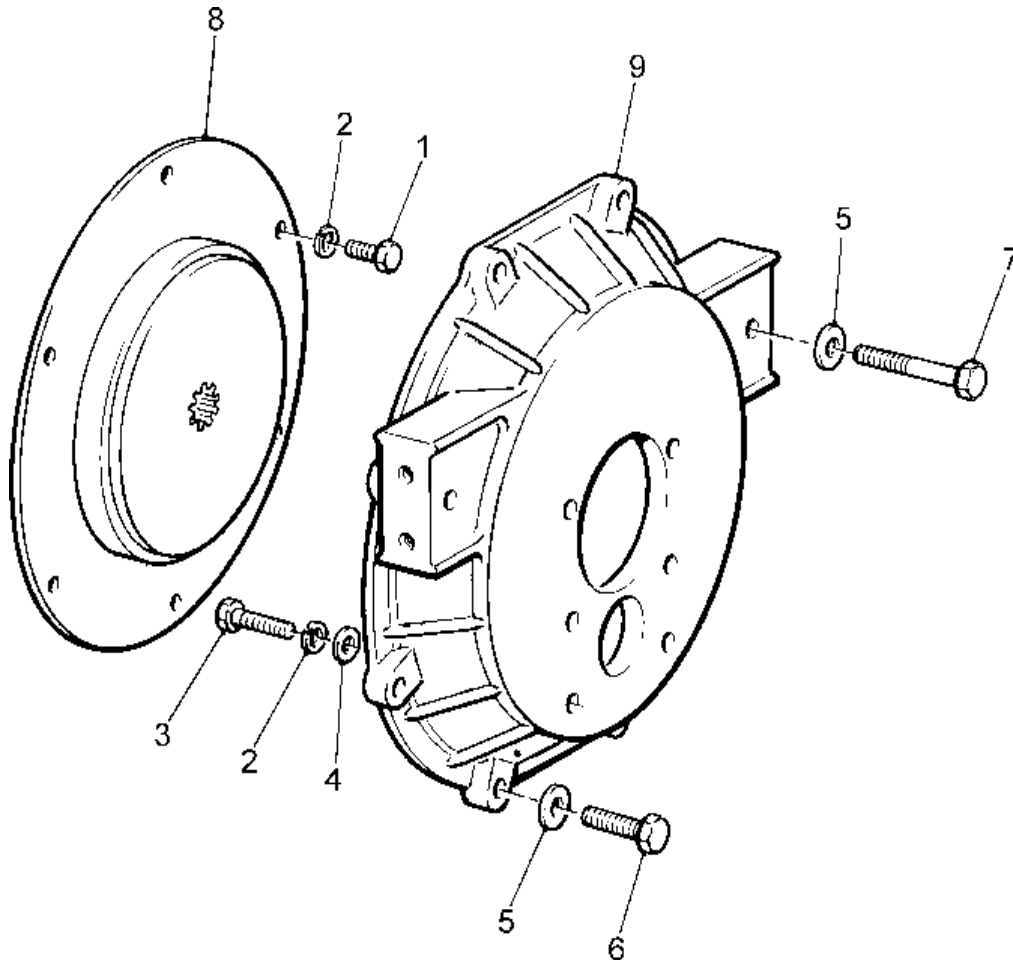
Saildrive Kit - LPW/LPWS2

Illustration LPM57
No. Description

Part Number LPW/LPWS
2 Remarks

	Accessory Kit Code MVX	750-63181	1	
-	Saildrive unit	757-62550	1	
1	Screw - M8 x 16mm	272-00038	6	
2	Spring washer	272-00360	12	
3	Bolt - M8 x 30mm	272-00666	6	
4	Washer - M8	272-00715	6	
5	Washer - M10	272-00694	8	
6	Screw - M10 x 30mm	272-00697	6	
7	Bolt - M10 x 60mm	272-00731	2	
8	Damper driver plate	362-03100	1	
9	Adaptor	757-61710	1	
10	Elbow	757-62560	1	
11	Hose	854-00926	1	
12	Hose clip	027-04686	2	

Illustration LPM57



Electric Start Panel - LPW, LPWS

Basic panel - insulated return, no longer available

Illustration LPM26 Description	Part Number	Cylinders			Remarks
		2	3	4	
Panel assembly	803-02429	1	1	1	
Cable assembly	854-00609	1	1	1	
Cable loom	757-60230	1	1	1	Replaces 064-40760
Relay	064-40953	1	1	1	
Relay bracket	803-02167	1	1	1	
Intermediate harness	362-03105	1	1	1	4m long
Sender	362-03109	1	1	1	
Adaptor	362-03195	1	1	1	
Pipe clip	389-04686	1	1	1	
Spring washer	786377	2	2	2	
Oil pressure switch	803-02261	1	1	1	

De-luxe panel - insulated return, no longer available

Illustration LPM27 Description	Part Number	Cylinders			Remarks
		2	3	4	
Panel assembly	803-02294	1	1	1	
Relay	064-40953	1	1	1	
Engine temperature sender	362-02594	1	1	1	
Temperature switch	362-03109	1	1	1	
Pipe clip	389-04686	1	1	1	
Spring washer	786377	2	2	2	
Oil pressure sender	803-02174	1	1	1	
Cable loom	757-60230	1	1	1	Replaces 064-40760
Cable assembly	854-00609	1	1	1	

Electric Start Panel

Basic panel - no longer available

Illustration LPM40 No. Description	Part Number	Cylinders			Remarks
		2	3	4	
1 Panel assembly	757-60430	1	1	1	
2 Hour recorder	800-06123/006	1	1	1	
3 Keyswitch	800-06203/001	1	1	1	
- Key - 14607	757-22230	2	2	2	
- Illumination bulb	800-06004/002	4	4	4	
- Audible alarm	800-06123/007	1	1	1	
- Connection diagram	742-00746	1	1	1	

Standard panel - no longer available

Illustration LPM40 No. Description	Part Number	Cylinders			Remarks
		2	3	4	
4 Panel assembly	757-61400	1	1	1	
- Panel assembly	757-60440	1	1	1	
5 Tachometer - 809 Hz	800-06123/004	1	1	1	
- Tachometer - 1115 Hz	800-06123/005	1	1	1	
3 Keyswitch	800-06203/001	1	1	1	
- Key - 14607	757-22230	2	2	2	
- Illumination bulb	800-06004/002	6	6	6	
- Audible alarm	800-06123/007	1	1	1	
- Connection diagram	742-00747	1	1	1	

De-luxe panel - no longer available

Illustration LPM40 No. Description	Part Number	Cylinders			Remarks
		2	3	4	
6 Panel assembly	757-61540	1	1	1	
- Panel assembly	757-60450	1	1	1	
5 Tachometer - 809 Hz	800-06123/004	1	1	1	
- Tachometer - 1115 Hz	800-06123/005	1	1	1	
7 Low oil pressure gauge	800-06123/003	1	1	1	
8 Temperature gauge	800-06123/002	1	1	1	
9 Voltmeter	800-06123/001	1	1	1	
3 Keyswitch	800-06203/001	1	1	1	
- Key - 14607	757-22230	2	2	2	
10 Lightswitch	800-06023/002	1	1	1	
- Illumination bulb	800-06004/002	9	9	9	
- Audible alarm	800-06123/007	1	1	1	
- Connection diagram	742-00748	1	1	1	

Wiring Loom

Earth return - LPW

Not Illustrated Description	Part Number	Cylinders			Remarks
		2	3	4	
Accessory Kit Code MWF	750-62485	1	1	1	Replaces 750-62482, 750-62483 and 750-62484
Cable loom	757-60851	1	1	1	No longer fitted
Heat shrink tubing	027-10092	1	1	1	No longer fitted
Cable loom and relay box	757-62132	1	1	1	Replaces 757-62130 and 757-62131
Extension loom assembly	757-60930	1	1	1	
Bracket	757-62160	1	1	1	No longer fitted
Earth terminal adaptor	757-22360	1	1	1	
Screw - M6 x 12mm	272-00660	1	1	1	
Nut - M6	272-00679	1	1	1	
Washer - M6	272-00688	1	1	1	
Pipe clip	389-04686	1	1	1	
Cable clip	382-08078	1	1	1	
Cable tie	064-32790/001	5	5	5	
Terminal box	624-50560	1	1	1	
Cable loom	757-62042	1	1	1	Replaces 757-62041
Connection diagram	742-00857	1	1	1	

Earth return - LPWS early type

Not Illustrated Description	Part Number	Cylinders			Remarks
		2	3	4	
Cable loom	757-60631	1	1	1	
Heat shrink tubing	027-10092	1	1	1	
Extension loom assembly	757-60930	1	1	1	
Controller	757-23720	1	1	1	
Screw	272-00728	1	1	1	
Spring washer	786377	1	1	1	
Nut - M5	272-00678	1	1	1	
Earth terminal adaptor	757-22360	1	1	1	
Screw - M6 x 12mm	272-00660	1	1	1	
Nut - M6	272-00679	1	1	1	
Washer - M6	272-00688	1	1	1	
Cable clip	382-08964	1	1	1	
Cable clip	382-08079	1	1	1	
Cable tie	064-32790/001	5	5	5	
Connection diagram	742-00811	1	1	1	

Wiring Loom

Insulated return - early type

Not Illustrated Description	Part Number	Cylinders			Remarks
		2	3	4	
Cable loom	757-61391	1	1	1	Replaced by later type (below)
Heat shrink tubing	027-10092	1	1	1	
Extension loom assembly	757-60930	1	1	1	
Controller	757-23720	1	1	1	
Screw	272-00728	1	1	1	
Spring washer	786377	1	1	1	
Nut - M5	272-00678	1	1	1	
Cable Clip	382-08964	1	1	1	
Cable Clip	382-08078	1	1	1	
Cable Tie	064-32790/001	5	5	5	
Label	027-10140	1	1	1	
Connection diagram	742-00813	1	1	1	

Insulated return - later type

Not Illustrated Description	Part Number	Cylinders			Remarks
		2	3	4	
Accessory Kit Code MWI	750-62714	1	1	1	Replaces 750-62713
Extension loom assembly	757-60930	1	1	1	
Cable assembly	757-61410	1	1	1	Replaces 757-62870
Cable loom and relay assembly	757-62121	1	1	1	Replaces 757-62120
Bracket	757-20790	1	1	1	Replaces 757-62170
Nut - M5	272-00678	2	2	2	
Washer	272-00687	2	2	2	
Screw - M5	272-00728	2	2	2	
Solenoid	351-31480	1	1	1	
Cable clip	382-08079	1	1	1	
Cable tie	064-32790/001	5	5	5	
Label	027-10183	1	1	1	Replaces 027-10140
Washer 5/16"dia	354-24890	4	4	4	
Connection diagram	742-00803	1	1	1	

Earthing Solenoid

Not Illustrated Description	Part Number	Cylinders			Remarks
		2	3	4	
Accessory Kit Code MWS	750-63720	1	1	1	For use with starter motor Accessory Codes EB and EC if Accessory Code MWI is not fitted
Label	027-10140	1	1	1	
Nut - M5	272-00678	2	2	2	
Washer - M5	272-00687	2	2	2	
Screw - M5 x 12mm	272-00728	2	2	2	
12V solenoid	351-31480	1	1	1	
Relay mounting bracket	757-20790	1	1	1	
Cable assembly	757-61410	1	1	1	Replaces 757-62870, 757-61410

Starter Solenoid

Insulated return - LPW/LPWS2

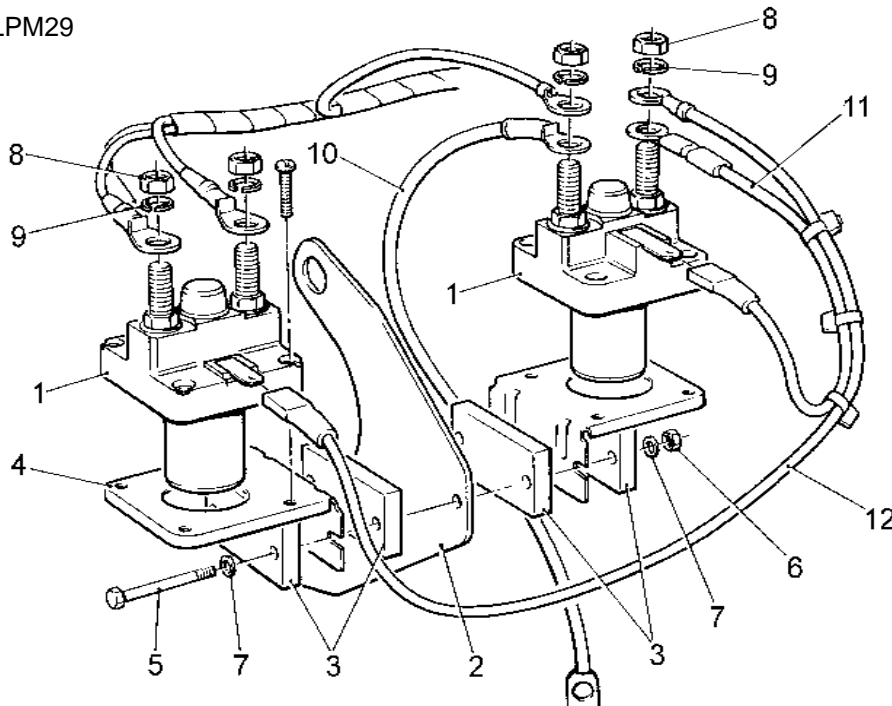
Illustration LPM29

No.	Description	Part Number	Quantity	Remarks
	Accessory Kit Code MWE - LPW/S2	750-61950	1	See Note ¹
1	Solenoid	351-31480	2	See Note ²
2	Mounting bracket	757-20790	1	
3	Anti-vibration pad	064-29376	4	
4	Clamp plate	064-29377	2	
5	Screw - M4 x 40mm	272-00293	2	
6	Self-lock nut - 4mm	272-00471	2	
7	Plain washer	064-06612/004	4	
8	Nut.....	064-31345	4	
9	Spring washer	064-31346	4	
10	Cable assembly	757-60170	1	Replaces 064-41975
11	Link wire	064-41976	1	
12	Link wire	064-41988	1	
-	Cable loom assembly	757-60270	1	Replaces 064-42061

Notes:

1. The 4ST solenoid is also used on LPW3 and LPW4 Build 48 life boat engines as part of Accessory Kit Code MXX (750-62780).
2. The nuts and spring washers closest to the solenoid should never be removed; doing so will cause the solenoid to disassemble.

Illustration LPM29



Overhaul Joint Sets

Not Illustrated Description	Part Number	Cylinders			Remarks
		2	3	4	
Joint Set - LPW/LPWS2	657-34241	1	-	-	Replaces 657-34240
Joint Set - LPW/LPWS3	657-34261	-	1	-	Replaces 657-34260
Joint Set - LPW/LPWS4	657-34281	-	-	1	Replaces 657-34280
Joint Set - LPWT4	657-35090	-	-	1	
Cylinder head cover joint	751-11072	2	3	4	
Cylinder head cover joint	751-11073	2	3	4	
Cylinder head cover 'O' ring	201-81200	4	6	8	
Inlet manifold gasket	751-11121	2	3	4	
Exhaust manifold gasket - LPW/LPWS	751-10103	2	3	4	Replaces 751-10102
Exhaust manifold gasket - LPWT4	754-42640	-	-	4	
Sealing tube rubber - bottom	201-30261	4	6	8	
Sealing tube rubber - top	201-42360	4	6	8	
Sealing tube rubber washer	751-11810	4	6	8	
Injector washer - LPW/LPWT4	201-45070	2	3	4	
Injector washer - LPWS	751-40630	2	3	4	
Valve stem shield	751-13570	4	6	8	
Valve stem seal	751-41701	4	6	8	For valve guide 751-10903
Water pump joint	751-40211	1	1	1	
Water pump 'O' ring	601-20691	2	2	2	
Water pump mounting plate joint	751-40450	1	1	1	
Thermostat housing joint - LPW/LPWS	751-40280	1	1	1	
Thermostat housing joint - LPWT4	751-40281	-	-	1	
End cover joint	751-11222	1	1	1	
Crankcase door joint - LPW/LPWS2	752-10802	1	-	-	
Crankcase door joint - LPW/LPWS3	753-10802	-	1	-	
Crankcase door joint - LPW/LPWS/LPWT4	754-10802	-	-	1	
Fuel lift pump joint	751-11761	1	1	1	
Main bearing housing shim - 0,38mm	751-11930	1	1	1	
Main bearing housing shim - 0,50mm	751-11932	1	1	2	
Speed control 'O' ring	751-10590	2	2	2	
Speed control washer	272-00687	1	1	1	
Fuel filter washer	031-61533	6	6	6	
Oil Seal - flywheel end	751-10430	1	1	1	
Oil Seal - gear end	751-10390	1	1	1	
Turbocharger outlet joint	754-42531	-	-	1	
Turbocharger flange joint	754-42320	-	-	1	

Note:

The cylinder head gasket is not included in the joint set

Cylinder head gasket - LPW/LPWS2	752-40751	1	-	-	1.47mm
Cylinder head gasket - LPW/LPWS3	753-40891	-	1	-	1.47mm
Cylinder head gasket - LPW/LPWS4, LPWT4	754-40891	-	-	1	1.47mm

Tool Kit

Not Illustrated Description	Part Number
Accessory Kit Code MSA	750-60750
Screwdriver	027-06000
Pliers	027-06010
Adjustable wrench	362-02802

CALIFORNIA

Proposition 65 Warning

Diesel engine exhaust and some of its constituents are known to the State of California to cause cancer, birth defects, and other reproductive harm.

California Proposition 65 Warning

Diesel engine exhaust and some of its constituents are known to the State of California to cause cancer, birth defects, and other reproductive harm.

LPW MARINE ENGINE MASTER PARTS MANUAL

P027-08047, NOVEMBER 2017

© LISTER PETTER POWER SYSTEMS



Head Office

Lister Peter Power Systems Limited
Unit 14 Estuary Court, Broadmeadow Industrial Estate
Teignmouth, TQ14 9FA
T: +44 (0) 1285 702211

Production Facility

Lister Peter Power Systems Limited
Units 13-15 Quadrant Distribution Centre
Hardwicke, Gloucester, GL2 2RN
sales@listerpetter.com
www.listerpetter.com